

1747139-1 ✓ ACTIVE

AMP | TH/.025 Connector System

TE Internal #: 1747139-1

Other Automotive Connector Accessories, Other, Wire-to-Board,
PBT GF, Gray, -40 – 140 °C [-40 – 284 °F], TH/.025 Connector System

[View on TE.com >](#)



Connectors > Automotive Connectors > Connector Accessories > Other Connector Accessories



Automotive Connector Accessory Type: **Other**

Connector System: **Wire-to-Board**

Primary Product Material: **PBT GF**

Primary Product Color: **Gray**

Operating Temperature Range: **-40 – 140 °C [-40 – 284 °F]**

Features

Product Type Features

Automotive Connector Accessory Type	Other
Connector System	Wire-to-Board

Body Features

Primary Product Material	PBT GF
Primary Product Color	Gray

Usage Conditions

Operating Temperature Range	-40 – 140 °C[-40 – 284 °F]
-----------------------------	----------------------------

Industry Standards

Industry Standard	JIS
UL Flammability Rating	UL 94HB

Packaging Features

Packaging Quantity	40
Packaging Method	Bag

Other

Serviceable	Yes
-------------	-----

Product Compliance

[For compliance documentation, visit the product page on TE.com>](#)



EU RoHS Directive 2011/65/EU	Compliant
EU ELV Directive 2000/53/EC	Compliant
China RoHS 2 Directive MIIT Order No 32, 2016	No Restricted Materials Above Threshold
EU REACH Regulation (EC) No. 1907/2006	Current ECHA Candidate List: JUNE 2022 (224) Candidate List Declared Against: JAN 2022 (223) SVHC > Threshold: Not Yet Reviewed
Halogen Content	Low Halogen - Br, Cl, F, I < 900 ppm per homogenous material. Also BFR/CFR/PVC Free
Solder Process Capability	Not applicable for solder process capability

Product Compliance Disclaimer

This information is provided based on reasonable inquiry of our suppliers and represents our current actual knowledge based on the information they provided. This information is subject to change. The part numbers that TE has identified as EU RoHS compliant have a maximum concentration of 0.1% by weight in homogenous materials for lead, hexavalent chromium, mercury, PBB, PBDE, DBP, BBP, DEHP, DIBP, and 0.01% for cadmium, or qualify for an exemption to these limits as defined in the Annexes of Directive 2011/65/EU (RoHS2). Finished electrical and electronic equipment products will be CE marked as required by Directive 2011/65/EU. Components may not be CE marked. Additionally, the part numbers that TE has identified as EU ELV compliant have a maximum concentration of 0.1% by weight in homogenous materials for lead, hexavalent chromium, and mercury, and 0.01% for cadmium, or qualify for an exemption to these limits as defined in the Annexes of Directive 2000/53/EC (ELV). Regarding the REACH Regulation, the information TE provides on SVHC in articles for this part number is based on the latest European Chemicals Agency (ECHA) 'Guidance on requirements for substances in articles' posted at this URL: <https://echa.europa.eu/guidance-documents/guidance-on-reach>

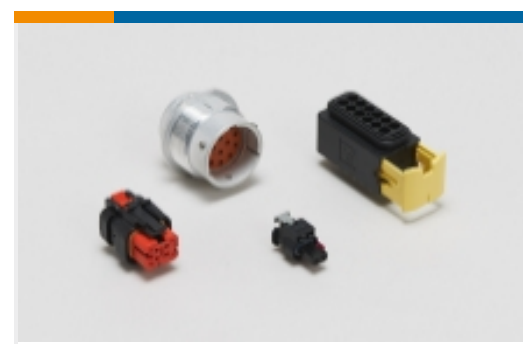
Compatible Parts



Also in the Series | **TH/.025 Connector System**



Automotive Connector Caps & Covers (6)



Automotive Housings(203)



Automotive Seals & Cavity Plugs(2)



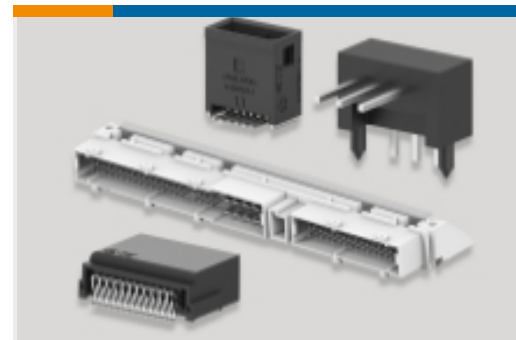
Automotive Terminals(25)



Insertion & Extraction Tools(4)

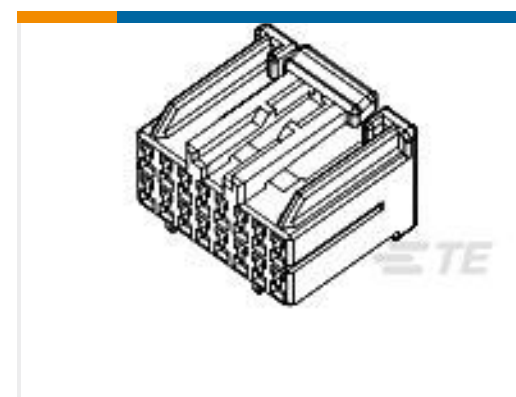


Other Automotive Connector Accessories(5)



PCB Headers & Receptacles(144)

Customers Also Bought

TE Part #1717112-1
TH/.025 CONNECTOR SYSTEM,
HOUSINGTE Part #178690-1
18P NSCC PLUG HSG ASSYTE Part #1-1379407-1
50P PIN HDR ASYTE Part #917997-1
HYBRID MK-2 PLUG HSG ASSY 26P

Documents

Product Drawings

[SEALEDEFI ECU 126POS LEVER R](#)

Japanese

CAD Files

Customer View Model

[ENG_CVM_CVM_1747139-1_H.2d_dxf.zip](#)

English

3D PDF

3D

Customer View Model

[ENG_CVM_CVM_1747139-1_H.3d_igs.zip](#)

English

Customer View Model

[ENG_CVM_CVM_1747139-1_H.3d_stp.zip](#)

English

By downloading the CAD file I accept and agree to the [Terms and Conditions](#) of use.



Product Specifications

CRIMPING OF SEALED 0.64 RECEPTACLE

Japanese

Application Specification

Japanese

Instruction Sheets

Instruction Sheet (non U.S.)

Japanese

Instruction Sheet (non U.S.)

Japanese