

1742898-1 ✓ ACTIVE



AMPLIVAR

TE Internal #: 1742898-1

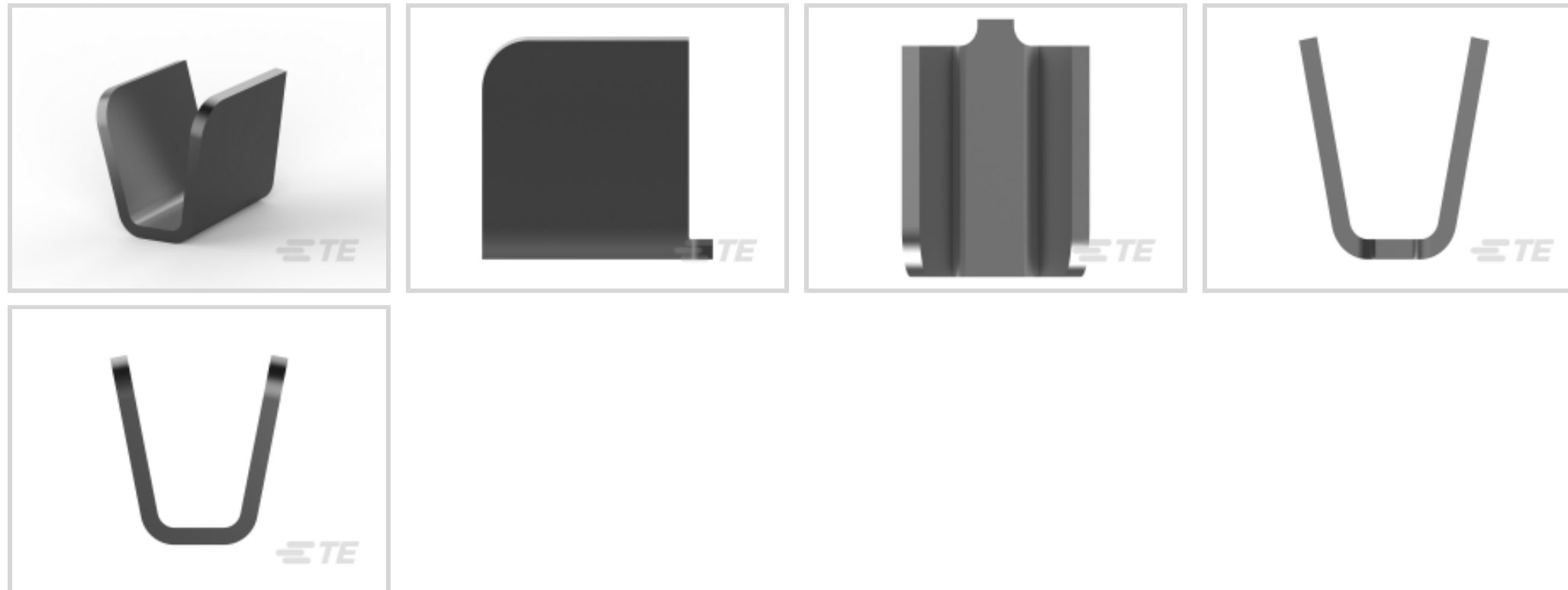
Splices, 9 – 6.5 AWG Wire Size, 4.8 – 9.45 mm² Wire Size, Splice

Capacity 3, 14000 – 22000 CMA Wire Size, Brass, Pigtail Splice

Splice, AMPLIVAR

[View on TE.com >](#)

Terminals & Splices > Splices



Wire Size: 14000 – 22000 CMA

Sealable: No

Splice Capacity: 3

Features

Product Type Features

Barrel Style	Standard
Sealable	No
Splice Type	Pigtail Splice
Serrated	Yes
Compatible With Discrete Wire Type	Magnet Wire, Solid

Configuration Features

Strip Orientation	End Feed
Splice Capacity	3
Number of Serrations	9

Electrical Characteristics

Operating Voltage	250 V
-------------------	-------

Body Features

Plating Material	Tin
Weight per Piece	.761 g
Primary Product Material	Brass



Contact Features

Contact Plating Material	Tin
Barrel Type	Open

Termination Features

Crimp Width	6.35 mm, 6.85 mm [.25 in] [.27 in]
Termination Method	Crimp

Mechanical Attachment

Wire Insulation Support	Without
-------------------------	---------

Dimensions

Wire Diameter Range	3 – 3.47 mm [.118 – .137 in]
Material Width	6.35 mm [.25 in]
Wire Size	14000 – 22000 CMA
Terminal Material Thickness	.76 mm [.03 in]
Overall Product Length	8.64 mm [.34 in]

Usage Conditions

Insulation Option	Uninsulated
Operating Temperature Range	-65 – 150 °C [-85 – 302 °F]

Operation/Application

Heavy Duty	No
Compatible With Wire Base Material	Aluminum, Copper

Industry Standards

Government Qualified Splice	No
-----------------------------	----

Packaging Features

Packaging Quantity	12000
Packaging Method	Strip

Product Compliance

[For compliance documentation, visit the product page on TE.com>](#)

EU RoHS Directive 2011/65/EU	Compliant
EU ELV Directive 2000/53/EC	Compliant
China RoHS 2 Directive MIIT Order No 32, 2016	No Restricted Materials Above Threshold
EU REACH Regulation (EC) No. 1907/2006	



Current ECHA Candidate List: JUNE 2022
 (224)
 Candidate List Declared Against: JAN 2022
 (223)
 SVHC > Threshold:
 Not Yet Reviewed

Halogen Content
 Low Halogen - Br, Cl, F, I < 900 ppm per homogenous material. Also BFR/CFR/PVC Free

Solder Process Capability
 Not applicable for solder process capability

Product Compliance Disclaimer

This information is provided based on reasonable inquiry of our suppliers and represents our current actual knowledge based on the information they provided. This information is subject to change. The part numbers that TE has identified as EU RoHS compliant have a maximum concentration of 0.1% by weight in homogenous materials for lead, hexavalent chromium, mercury, PBB, PBDE, DBP, BBP, DEHP, DIBP, and 0.01% for cadmium, or qualify for an exemption to these limits as defined in the Annexes of Directive 2011/65/EU (RoHS2). Finished electrical and electronic equipment products will be CE marked as required by Directive 2011/65/EU. Components may not be CE marked. Additionally, the part numbers that TE has identified as EU ELV compliant have a maximum concentration of 0.1% by weight in homogenous materials for lead, hexavalent chromium, and mercury, and 0.01% for cadmium, or qualify for an exemption to these limits as defined in the Annexes of Directive 2000/53/EC (ELV). Regarding the REACH Regulation, the information TE provides on SVHC in articles for this part number is based on the latest European Chemicals Agency (ECHA) 'Guidance on requirements for substances in articles' posted at this URL: <https://echa.europa.eu/guidance-documents/guidance-on-reach>

Compatible Parts



TE Part # 63562-1
 SPLICE 10400-22900 030TPBR



TE Part # 1742324-2
 AMVAR STAKE SPLICE 020TPBR



TE Part # 737060-1
 AMPLIVAR SPL 5 SERR W/INS SUP



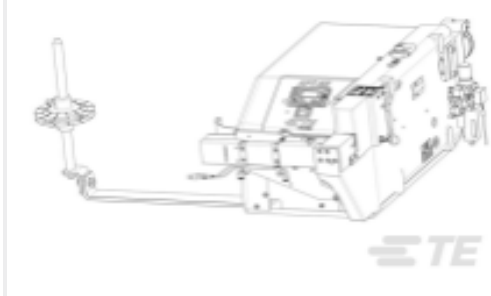
TE Part # 737060-2
 AMPLIVAR SPL 5 SERR W/INS SUP



TE Part # 1-2217600-7
 APT-5A HF



TE Part # 1-2217600-8
 APT-5A HF



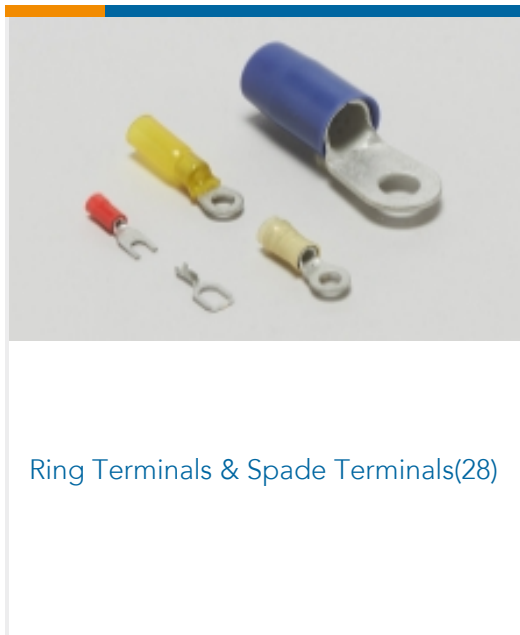
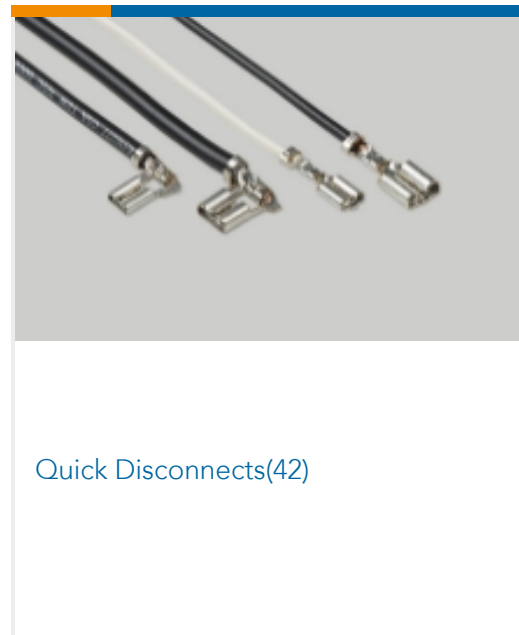
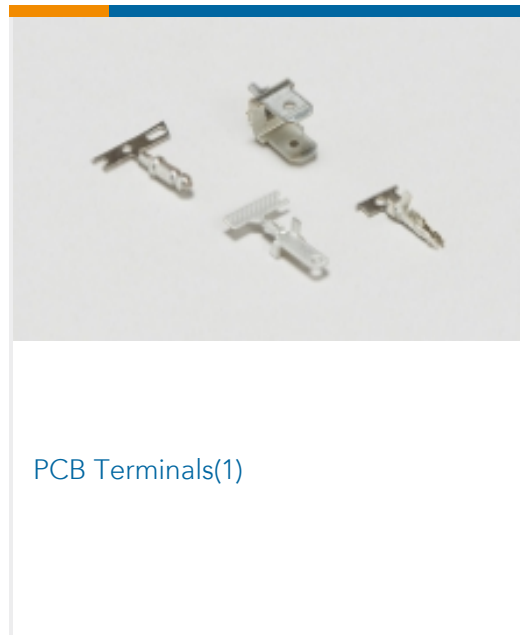
TE Part # 1-2217700-7
 APT 5E HF



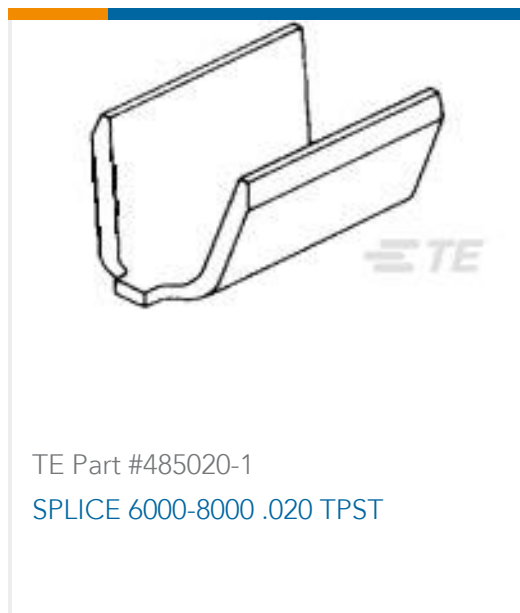
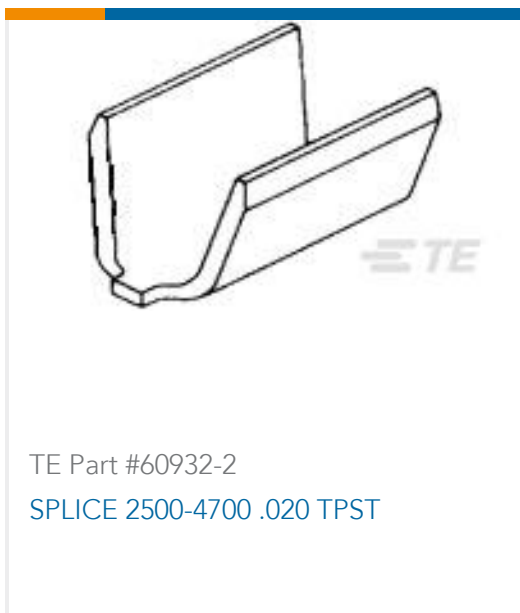
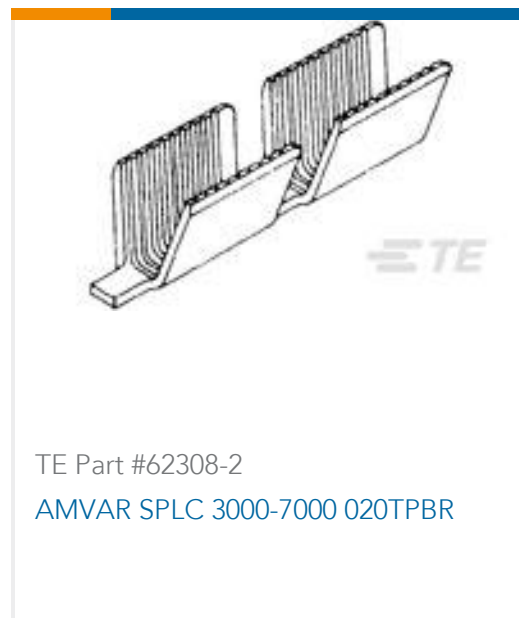
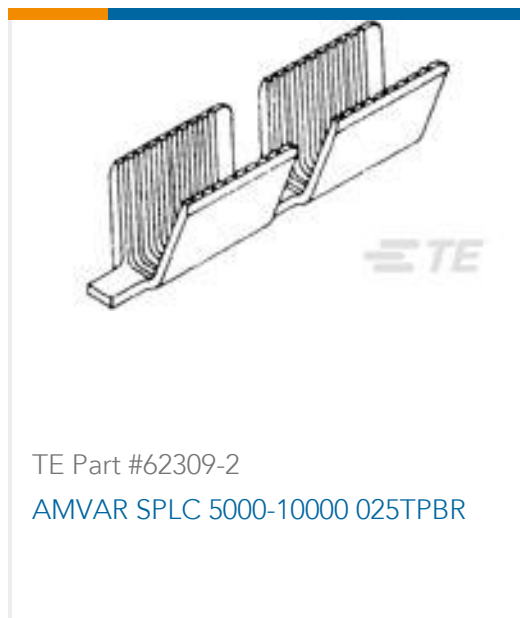
TE Part # 1-2217700-8
 APT 5E HF

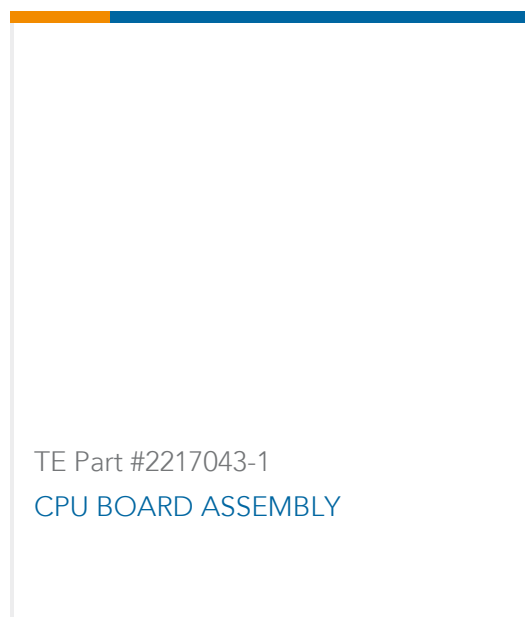


Also in the Series | AMPLIVAR



Customers Also Bought





Documents

Product Drawings

[AMVAR SPLC 10M-22M 0295 TPBR](#)

English

CAD Files

[3D PDF](#)

3D

Customer View Model

[ENG_CVM_CVM_1742898-1_C_c-1742898-1-c.2d_dxf.zip](#)

English

Customer View Model

[ENG_CVM_CVM_1742898-1_C_c-1742898-1-c.3d_igs.zip](#)

English

Customer View Model

[ENG_CVM_CVM_1742898-1_C_c-1742898-1-c.3d_stp.zip](#)

English

By downloading the CAD file I accept and agree to the [Terms and Conditions](#) of use.

Product Specifications

[Application Specification](#)

English

Product Environmental Compliance

[MD_1742898-1_04162014128_dmtec](#)

English

[MD_1742898-1_04162014128_dmtec](#)

English