

EUROCARD

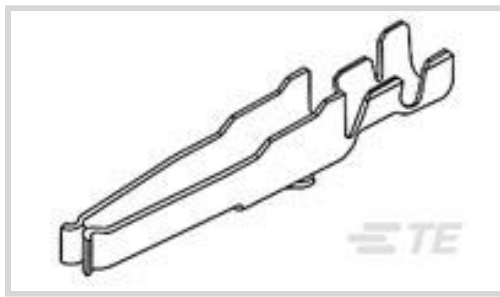
TE Internal #: 166460-3

Rack & Panel Contacts, Standard, Length 22.2 mm [.87 in], Gold, Cable-to-Cable, Wire & Cable, Signal, -67 – 257 °F [-55 – 125 °C]

[View on TE.com >](#)



Connectors > PCB Connectors > Backplane Connectors > Rack & Panel Backplane > Rack & Panel Contacts



Rack & Panel Connector Contact Style: **Standard**

Contact Length: **22.2 mm [.87 in]**

Contact Mating Area Plating Material: **Gold**

Connector System: **Cable-to-Cable**

Connector & Contact Terminates To: **Wire & Cable**

Features

Product Type Features

DIN Level	II
Connector System	Cable-to-Cable
Connector & Contact Terminates To	Wire & Cable

Contact Features

Contact Mating Area Plating Material Thickness	.75 µm
Contact Orientation	Straight
Contact Base Material	Phosphor Bronze
Rack & Panel Connector Contact Style	Standard
Contact Length	22.2 mm [.87 in]
Contact Mating Area Plating Material	Gold

Termination Features

Termination Method to Wire & Cable	Crimp
------------------------------------	-------

Mechanical Attachment

Contact Retention Type Within Housing	Snap-In
---------------------------------------	---------

Dimensions

	1.1 – 1.8 in
Wire Size	.875 mm ²

Usage Conditions

--	--



Operating Temperature Range	-55 – 125 °C[-67 – 257 °F]
-----------------------------	----------------------------

Operation/Application

Solder Process Feature	Solder Dipped
Circuit Application	Signal

Packaging Features

Packaging Method	Strip
------------------	-------

Other

Comment	For Use With Type F Vertical Housing
---------	--------------------------------------

Product Compliance

[For compliance documentation, visit the product page on TE.com>](#)

EU RoHS Directive 2011/65/EU	Compliant
EU ELV Directive 2000/53/EC	Compliant
China RoHS 2 Directive MIIT Order No 32, 2016	No Restricted Materials Above Threshold
EU REACH Regulation (EC) No. 1907/2006	Current ECHA Candidate List: JUNE 2022 (224) Candidate List Declared Against: JAN 2022 (223) SVHC > Threshold: Not Yet Reviewed
Halogen Content	Low Halogen - Br, Cl, F, I < 900 ppm per homogenous material. Also BFR/CFR/PVC Free
Solder Process Capability	Not applicable for solder process capability

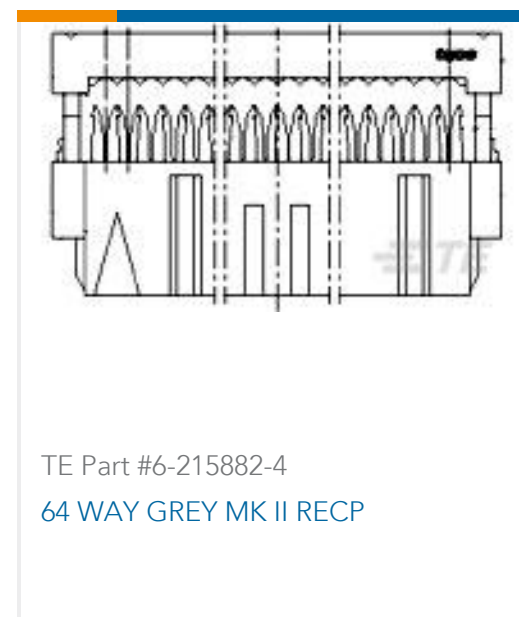
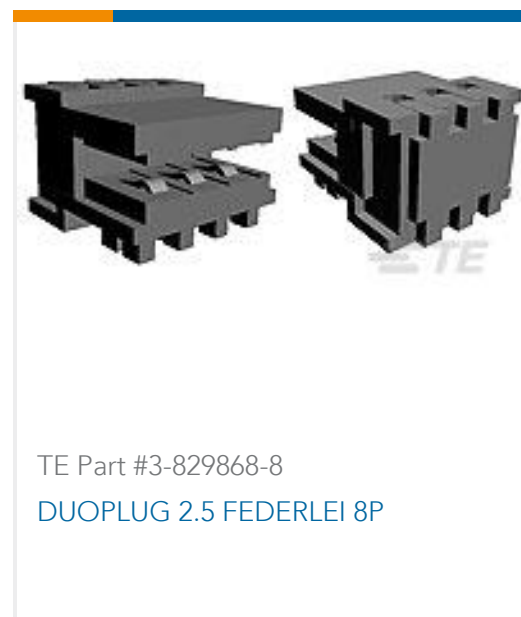
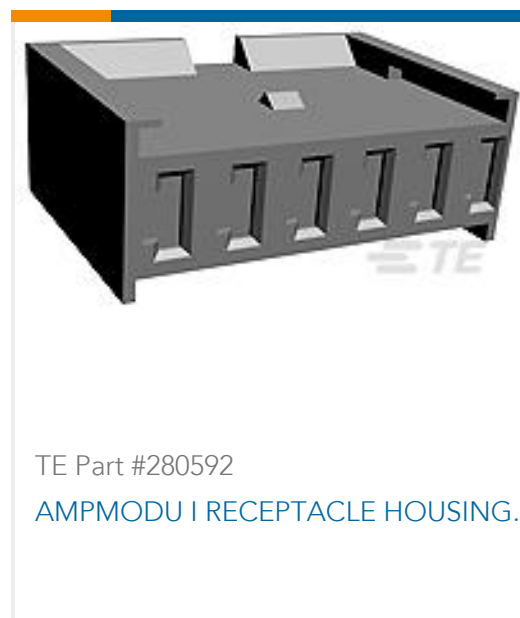
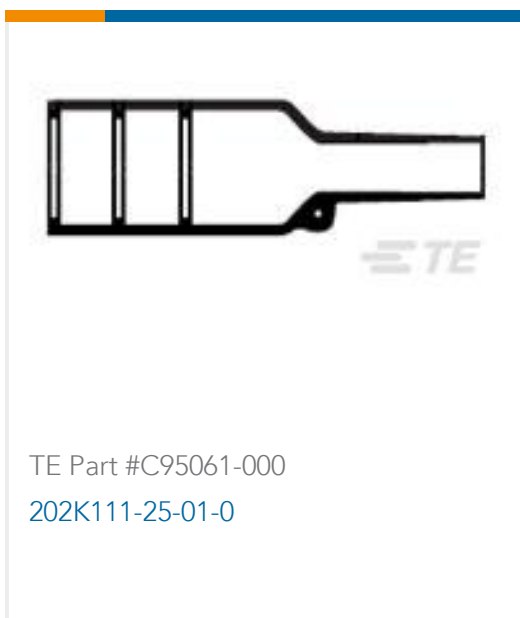
Product Compliance Disclaimer

This information is provided based on reasonable inquiry of our suppliers and represents our current actual knowledge based on the information they provided. This information is subject to change. The part numbers that TE has identified as EU RoHS compliant have a maximum concentration of 0.1% by weight in homogenous materials for lead, hexavalent chromium, mercury, PBB, PBDE, DBP, BBP, DEHP, DIBP, and 0.01% for cadmium, or qualify for an exemption to these limits as defined in the Annexes of Directive 2011/65/EU (RoHS2). Finished electrical and electronic equipment products will be CE marked as required by Directive 2011/65/EU. Components may not be CE marked. Additionally, the part numbers that TE has identified as EU ELV compliant have a maximum concentration of 0.1% by weight in homogenous materials for lead, hexavalent chromium, and mercury, and 0.01% for cadmium, or qualify for an exemption to these limits as defined in the Annexes of Directive 2000/53/EC (ELV). Regarding the REACH Regulation, the information TE provides on SVHC in articles for this part number is based on the latest European Chemicals Agency (ECHA) 'Guidance on requirements for substances in articles' posted at this URL: <https://echa.europa.eu/guidance-documents/guidance-on-reach>

Compatible Parts



Customers Also Bought



Documents



Product Drawings

[IEC-F F.CONT.COSI](#)

English

CAD Files

Customer View Model

[ENG_CVM_CVM_166460-3_L.2d_dxf.zip](#)

English

3D PDF

3D

Customer View Model

[ENG_CVM_CVM_166460-3_L.3d_igs.zip](#)

English

Customer View Model

[ENG_CVM_CVM_166460-3_L.3d_stp.zip](#)

English

By downloading the CAD file I accept and agree to the [Terms and Conditions](#) of use.

Product Environmental Compliance

[MD_166460-3_05302018639_dmtec](#)

English

[MD_166460-3_05302018639_dmtec](#)

English