

172236-1 ✓ ACTIVE

[Positive Lock](#) | [Positive Lock 312](#)

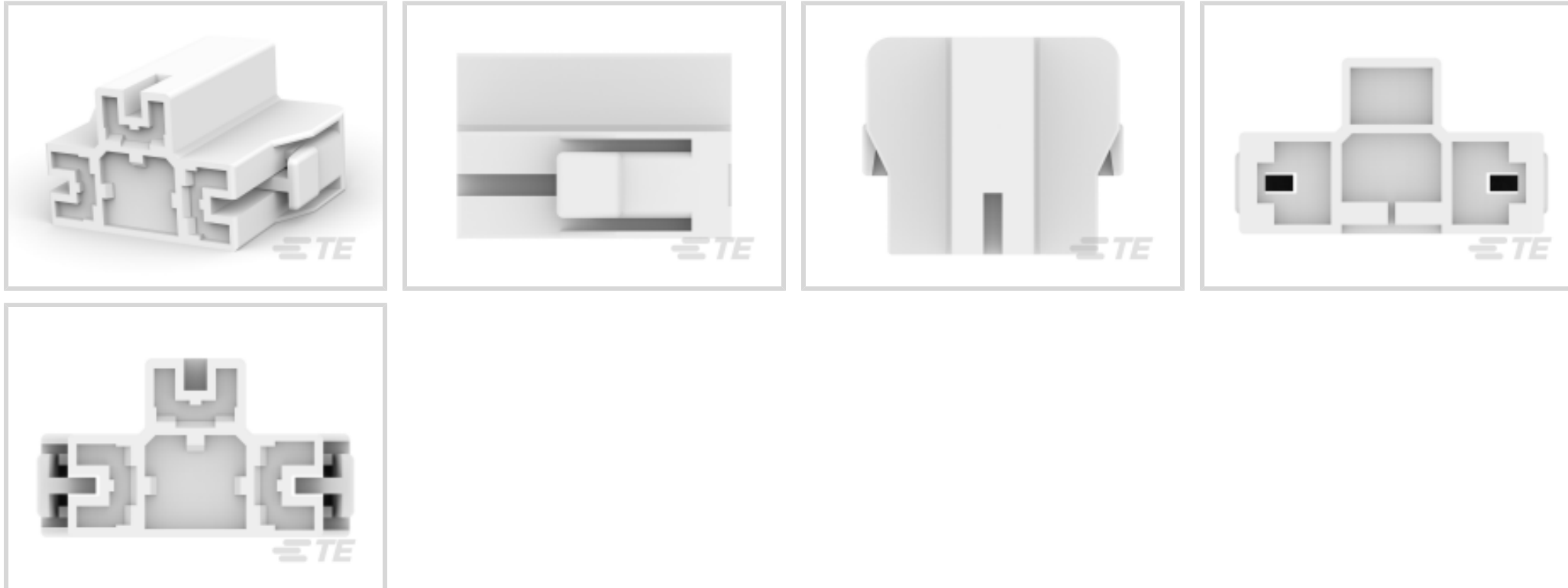
TE Internal #: 172236-1

Crimp Terminal Housings, Receptacle, Receptacle, 3 Position, Straight, UL 94V-2, Natural, Nylon, Contact Mating Retention, Positive Lock 312

[View on TE.com >](#)



Terminals & Splices > Terminal Housings, Insulation Sleeves & Blocks > Crimp Terminal Housings



Terminal Type: **Receptacle**

Housing Type: **Receptacle**

Number of Positions: **3**

Terminal Orientation: **Straight**

UL Flammability Rating: **UL 94V-2**

Features

Product Type Features

| | |
|------------------|-----------------------------|
| Terminates To | Wire & Cable |
| Product Type | Terminal Housing |
| Sealable | No |
| Connector System | Wire-to-Board, Wire-to-Wire |
| Housing Type | Receptacle |
| Insulated | No |

Configuration Features

| | |
|---------------------|---|
| Number of Positions | 3 |
|---------------------|---|

Body Features

| | |
|-----------------------|---------|
| Primary Product Color | Natural |
|-----------------------|---------|

Contact Features

| | |
|--------------------------|------------|
| Terminal Type | Receptacle |
| Terminal Orientation | Straight |
| Contact Mating Retention | With |



Mechanical Attachment

| | |
|---------------------------------------|----------------------------|
| Mating Alignment Type | Polarization |
| Mating Alignment | With |
| Crimp Terminal Housing Mounting Style | Cable Mount (Free-Hanging) |

Housing Features

| | |
|--------------------|-------------------|
| Housing Material | Nylon |
| Centerline (Pitch) | 8.32 mm [.327 in] |

Usage Conditions

| | |
|-----------------------------|-----------------------------|
| Operating Temperature Range | -40 – 105 °C [-40 – 221 °F] |
|-----------------------------|-----------------------------|

Industry Standards

| | |
|------------------------|----------|
| UL Flammability Rating | UL 94V-2 |
|------------------------|----------|

Packaging Features

| | |
|--------------------|-----|
| Packaging Quantity | 100 |
|--------------------|-----|

Product Compliance

[For compliance documentation, visit the product page on TE.com>](#)

| | |
|---|--|
| EU RoHS Directive 2011/65/EU | Compliant |
| EU ELV Directive 2000/53/EC | Compliant |
| China RoHS 2 Directive MIIT Order No 32, 2016 | No Restricted Materials Above Threshold |
| EU REACH Regulation (EC) No. 1907/2006 | Current ECHA Candidate List: JUNE 2022 (224) Candidate List Declared Against: JAN 2022 (223) SVHC > Threshold: Not Yet Reviewed |
| Halogen Content | Low Halogen - Br, Cl, F, I < 900 ppm per homogenous material. Also BFR/CFR/PVC Free |
| Solder Process Capability | Not applicable for solder process capability |

Product Compliance Disclaimer

This information is provided based on reasonable inquiry of our suppliers and represents our current actual knowledge based on the information they provided. This information is subject to change. The part numbers that TE has identified as EU RoHS compliant have a maximum concentration of 0.1% by weight in homogenous materials for lead, hexavalent chromium, mercury, PBB, PBDE, DBP, BBP, DEHP, DIBP, and 0.01% for cadmium, or qualify for an exemption to these limits as defined in the Annexes of Directive 2011/65/EU (RoHS2). Finished electrical and electronic equipment products will be CE marked as required by Directive 2011/65/EU. Components may not be CE marked. Additionally, the part numbers that TE has identified as EU ELV compliant have a maximum concentration of 0.1% by weight in homogenous materials for lead, hexavalent chromium, and mercury, and 0.01% for cadmium, or qualify for an exemption to these limits

as defined in the Annexes of Directive 2000/53/EC (ELV). Regarding the REACH Regulation, the information TE provides on SVHC in articles for this part number is based on the latest European Chemicals Agency (ECHA) 'Guidance on requirements for substances in articles' posted at this URL: <https://echa.europa.eu/guidance-documents/guidance-on-reach>

Compatible Parts



TE Part # 170381-1
PL .312 REC AV 0.5-2 MM2 PRE-TPBR



TE Part # 172863-1
250 POSITIVE DBL LOCK 1P



TE Part # 172863-8
250 P.LOCK MK-II 1P HSG RED

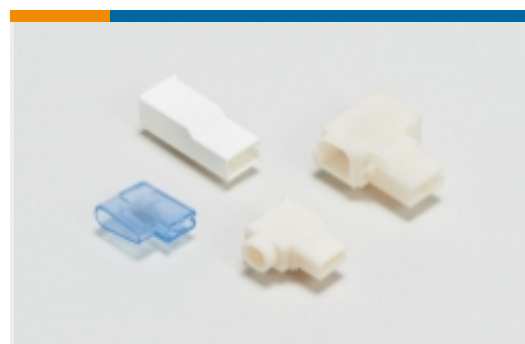


TE Part # 172864-1
250 POSITIVE DBL LOCK 2P NATUR



TE Part # 724719-1
EXT.TOOL FOR SHIELD BEAM

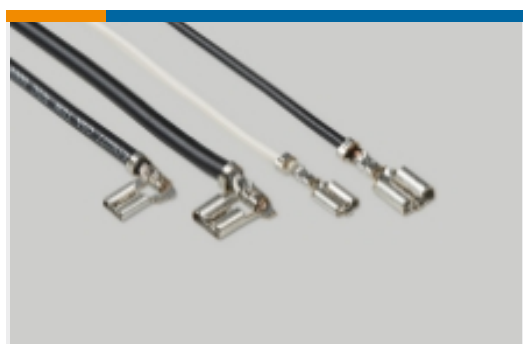
Also in the Series | Positive Lock 312



Crimp Terminal Housings(4)



Insertion & Extraction Tools(1)

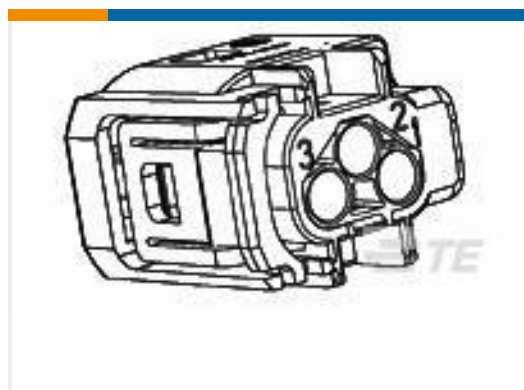


Quick Disconnects(7)

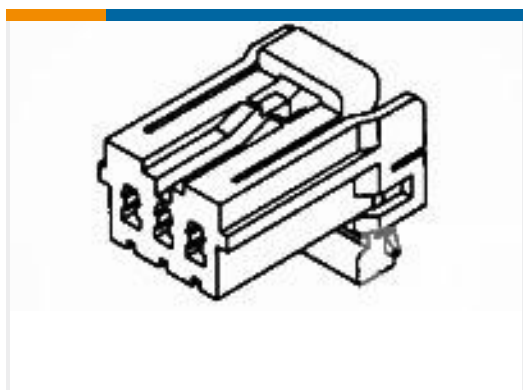
Customers Also Bought



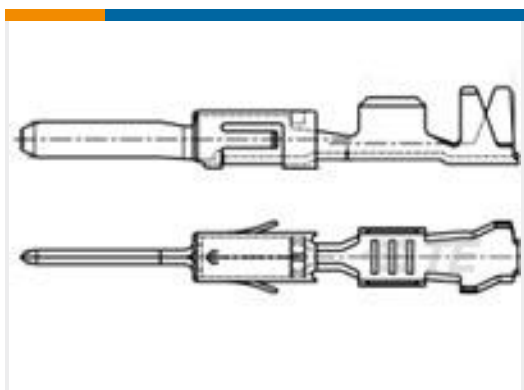
TE Part #963121-1
TIMER, CONNECTOR HOUSING



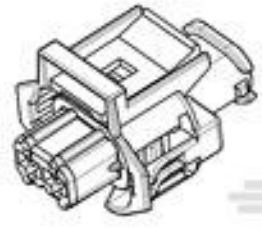
TE Part #1-967642-1
3POS MQS REC SEALED COD A



TE Part #174921-1
070 MLC W-W PLUG HSG 3P NATURA



TE Part #963904-1
TAB A 1.6x0.6 CONTACT CS SWS Sn



TE Part #936394-2
2.8MM SLD 6P PLUG ASSY



TE Part #368047-1
E-S MK-2(+) 16P PLUG ASSY



TE Part #936782-2
MT-II/JPT SLD 20P PLUG COVER

TE Part #1743062-2
MT-II/JPT SLD 36P CAP HSG

TE Part #9-1203514-6
COVER FOR 3P FUSE & RELAY ADPT

Documents

Product Drawings

POSITIVE LOCK 312 HOUSING

English

CAD Files

3D PDF

3D

Customer View Model

[ENG_CVM_CVM_172236-1_F.2d_dxf.zip](#)

English

Customer View Model

[ENG_CVM_CVM_172236-1_F.3d_igs.zip](#)

English

Customer View Model

[ENG_CVM_CVM_172236-1_F.3d_stp.zip](#)

English

By downloading the CAD file I accept and agree to the [Terms and Conditions](#) of use.

Product Specifications

Product Specification

English

3-Position, Sealed Beam Connector

Japanese

Product Specification

English

JAPANESE

English



Product Environmental Compliance

Product Compliance

English

Product Compliance

English