



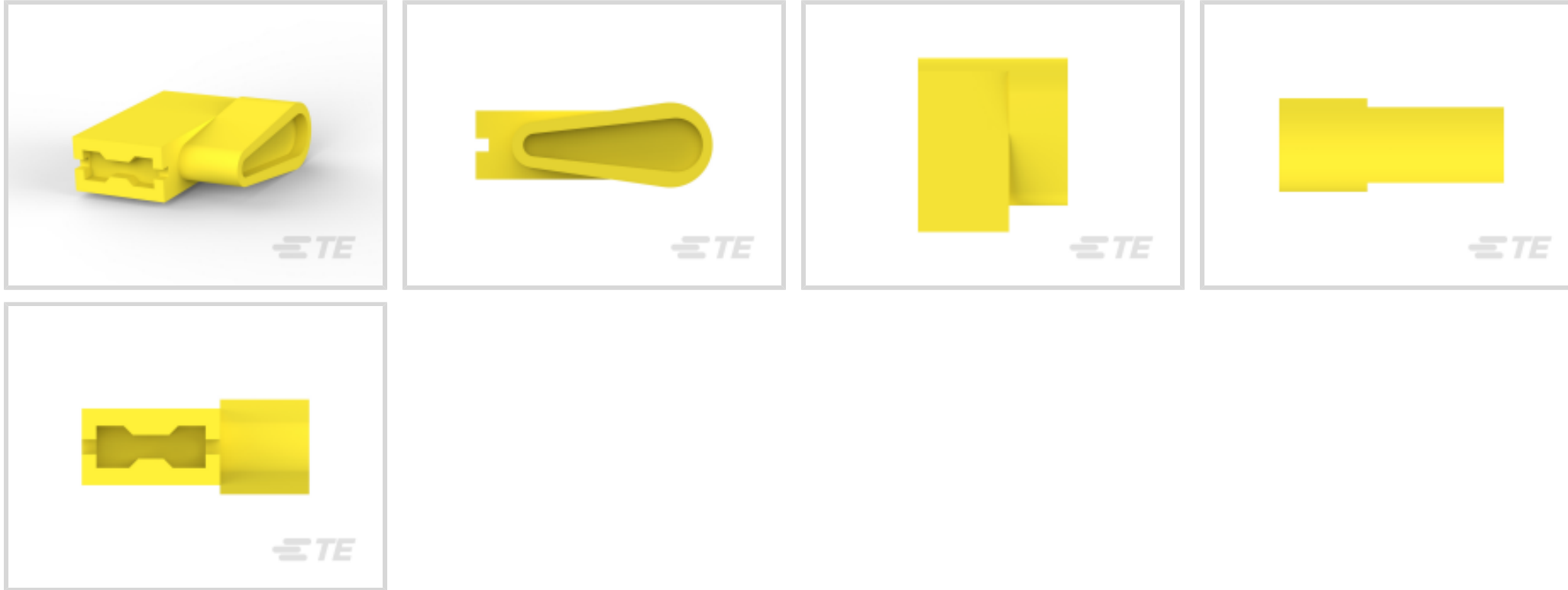
Positive Lock | Positive Lock 187

TE Internal #: 1717269-2

Crimp Terminal Housings, Receptacle, Receptacle, 1 Position, Flag, UL 94V-0, Yellow, Soft Vinyl Chloride, Positive Lock 187

[View on TE.com >](#)

Terminals & Splices > Terminal Housings, Insulation Sleeves & Blocks > Crimp Terminal Housings



Terminal Type: **Receptacle**

Housing Type: **Receptacle**

Number of Positions: **1**

Terminal Orientation: **Flag**

UL Flammability Rating: **UL 94V-0**

**Features**

**Product Type Features**

Product Type	Terminal Housing
Sealable	No
Housing Type	Receptacle
Insulated	No

**Configuration Features**

Number of Positions	1
---------------------	---

**Body Features**

Primary Product Color	Yellow
-----------------------	--------

**Contact Features**

Terminal Type	Receptacle
Terminal Orientation	Flag
Contact Mating Retention	Without

**Mechanical Attachment**

Mating Alignment	Without
------------------	---------

Crimp Terminal Housing Mounting Style

Cable Mount (Free-Hanging)

### Housing Features

Housing Material

Soft Vinyl Chloride

### Dimensions

Accepts Wire Insulation Diameter Range

2.8 – 5.3 mm [.11 – .208 in]

### Usage Conditions

Operating Temperature Range

-40 – 60 °C [-40 – 140 °F]

### Industry Standards

UL Flammability Rating

UL 94V-0

## Product Compliance

For compliance documentation, visit the product page on [TE.com](#)>

EU RoHS Directive 2011/65/EU

Compliant

EU ELV Directive 2000/53/EC

Compliant

China RoHS 2 Directive MIIT Order No 32, 2016

No Restricted Materials Above Threshold

EU REACH Regulation (EC) No. 1907/2006

Current ECHA Candidate List: JUNE 2022 (224)  
 Candidate List Declared Against: JAN 2019 (197)  
 SVHC > Threshold:  
 Not Yet Reviewed

Halogen Content

Not Low Halogen - contains Br or Cl &gt; 900 ppm.

Solder Process Capability

Not applicable for solder process capability

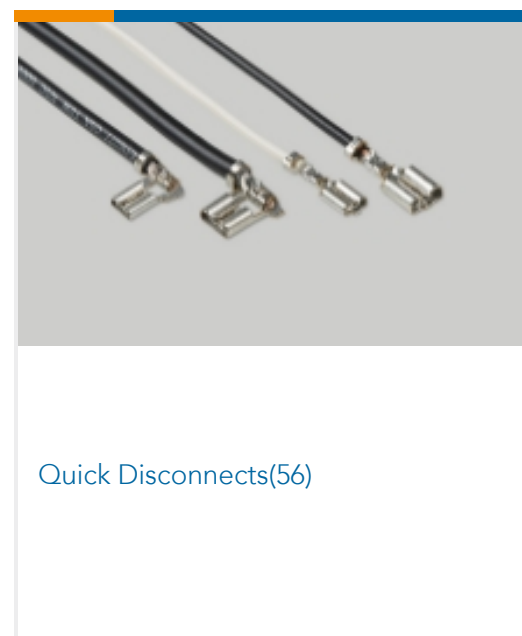
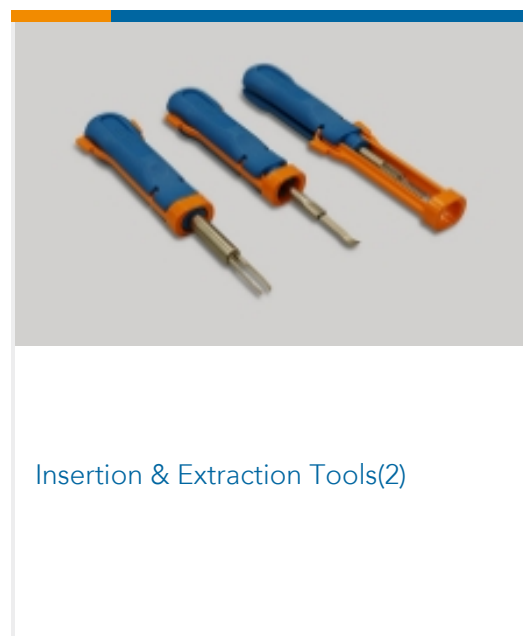
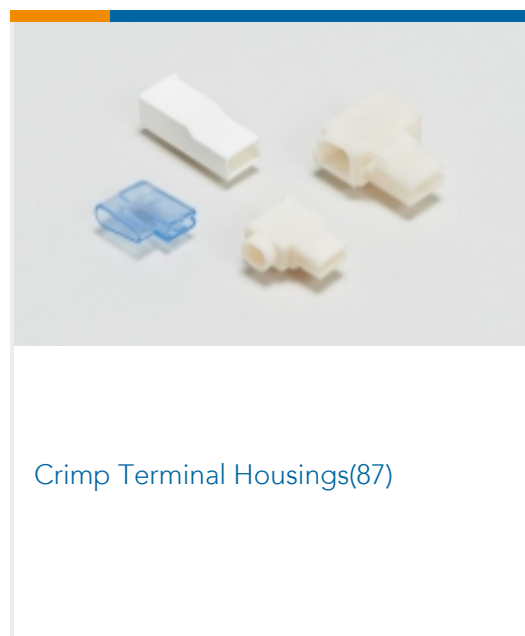
#### Product Compliance Disclaimer

This information is provided based on reasonable inquiry of our suppliers and represents our current actual knowledge based on the information they provided. This information is subject to change. The part numbers that TE has identified as EU RoHS compliant have a maximum concentration of 0.1% by weight in homogenous materials for lead, hexavalent chromium, mercury, PBB, PBDE, DBP, BBP, DEHP, DIBP, and 0.01% for cadmium, or qualify for an exemption to these limits as defined in the Annexes of Directive 2011/65/EU (RoHS2). Finished electrical and electronic equipment products will be CE marked as required by Directive 2011/65/EU. Components may not be CE marked. Additionally, the part numbers that TE has identified as EU ELV compliant have a maximum concentration of 0.1% by weight in homogenous materials for lead, hexavalent chromium, and mercury, and 0.01% for cadmium, or qualify for an exemption to these limits as defined in the Annexes of Directive 2000/53/EC (ELV). Regarding the REACH Regulation, the information TE provides on SVHC in articles for this part number is based on the latest European Chemicals Agency (ECHA) 'Guidance on requirements for substances in articles' posted at this URL: <https://echa.europa.eu/guidance-documents/guidance-on-reach>

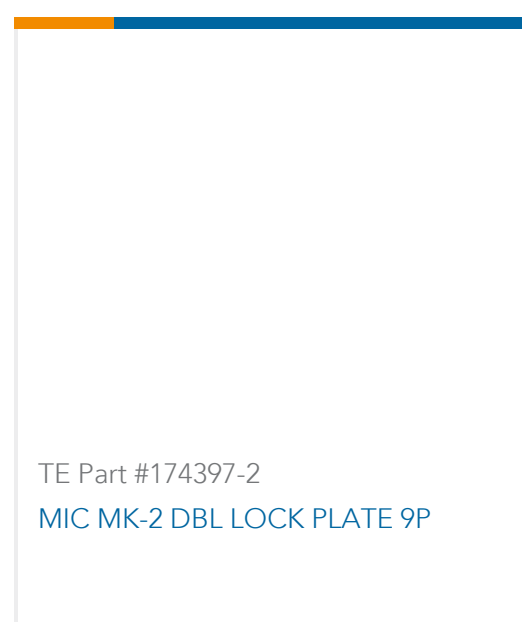
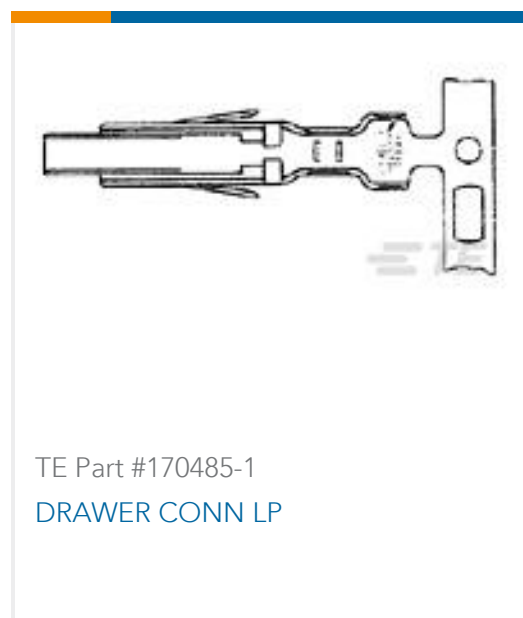
## Compatible Parts



## Also in the Series | Positive Lock 187



## Customers Also Bought



## Documents

### Product Drawings

[PL EX 187 INSULATED FLAG REC PVC V-0](#)

[Japanese](#)

### CAD Files

[3D PDF](#)

[3D](#)



**Customer View Model**

[ENG\\_CVM\\_CVM\\_1717269-2\\_A.2d\\_dxf.zip](#)

English

**Customer View Model**

[ENG\\_CVM\\_CVM\\_1717269-2\\_A.3d\\_igs.zip](#)

English

**Customer View Model**

[ENG\\_CVM\\_CVM\\_1717269-2\\_A.3d\\_stp.zip](#)

English

By downloading the CAD file I accept and agree to the [Terms and Conditions](#) of use.