



Terminals & Splices > Terminal Housings, Insulation Sleeves & Blocks > Crimp Terminal Housings



Terminal Type: **Receptacle**

Housing Type: **Receptacle**

Number of Positions: **1**

Terminal Orientation: **Straight**

UL Flammability Rating: **UL 94V-2**

### Features

#### Product Type Features

Sealable	No
----------	----

Housing Type	Receptacle
--------------	------------

#### Configuration Features

Number of Positions	1
---------------------	---

#### Body Features

Primary Product Color	Natural
-----------------------	---------

#### Contact Features

Terminal Type	Receptacle
---------------	------------

Terminal Orientation	Straight
----------------------	----------

Contact Mating Retention	Without
--------------------------	---------

#### Mechanical Attachment

Mating Alignment	Without
------------------	---------

#### Housing Features

--	--



Housing Material	Soft PVC
------------------	----------

### Dimensions

Length	21 mm[.827 in]
Accepts Wire Insulation Diameter Range	1.8 mm[.071 in]

### Usage Conditions

Operating Temperature Range	-40 – 105 °C[-40 – 221 °F]
-----------------------------	----------------------------

### Industry Standards

UL Flammability Rating	UL 94V-2
------------------------	----------

## Product Compliance

[For compliance documentation, visit the product page on TE.com>](#)

EU RoHS Directive 2011/65/EU	Compliant
EU ELV Directive 2000/53/EC	Compliant
China RoHS 2 Directive MIIT Order No 32, 2016	No Restricted Materials Above Threshold
EU REACH Regulation (EC) No. 1907/2006	Current ECHA Candidate List: JUNE 2022 (224) Candidate List Declared Against: JAN 2022 (223) SVHC > Threshold: Dioctyltin dilaurate derivs (.3% in Component Part)
Halogen Content	Not Low Halogen - contains Br or Cl > 900 ppm.
Solder Process Capability	Not applicable for solder process capability

#### Product Compliance Disclaimer

This information is provided based on reasonable inquiry of our suppliers and represents our current actual knowledge based on the information they provided. This information is subject to change. The part numbers that TE has identified as EU RoHS compliant have a maximum concentration of 0.1% by weight in homogenous materials for lead, hexavalent chromium, mercury, PBB, PBDE, DBP, BBP, DEHP, DIBP, and 0.01% for cadmium, or qualify for an exemption to these limits as defined in the Annexes of Directive 2011/65/EU (RoHS2). Finished electrical and electronic equipment products will be CE marked as required by Directive 2011/65/EU. Components may not be CE marked. Additionally, the part numbers that TE has identified as EU ELV compliant have a maximum concentration of 0.1% by weight in homogenous materials for lead, hexavalent chromium, and mercury, and 0.01% for cadmium, or qualify for an exemption to these limits as defined in the Annexes of Directive 2000/53/EC (ELV). Regarding the REACH Regulation, the information TE provides on SVHC in articles for this part number is based on the latest European Chemicals Agency (ECHA) 'Guidance on requirements for substances in articles' posted at this URL: <https://echa.europa.eu/guidance-documents/guidance-on-reach>

## Compatible Parts




TE Part # 170823-1  
110 FASTON SLEEVE,TAB,  
TRANSPARENT,NAT



TE Part # 170823-4  
250 FASTON SLEEVE,REC.,  
TRANSPARENT



TE Part # 1-170823-4  
187 FASTON SLEEVE,REC.,  
TRANSPARENT,NAT



TE Part # 1-170823-5  
250 FASTON SLEEVE,REC.,  
TRANSPARENT



TE Part # 170823-3  
250 FASTON SLEEVE,REC.,  
TRANSPARENT



TE Part # 170823-6  
250 FASTON SLEEVE,REC.,  
TRANSPARENT



TE Part # 1-170823-9  
250 FASTON SLEEVE,REC.,  
TRANSPARENT,NAT



TE Part # 1-170823-6  
250 FASTON SLEEVE,REC.,  
TRANSPARENT

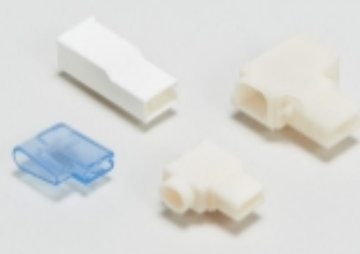


TE Part # 1-170823-1  
110 FASTON SLEEVE,REC.,  
TRANSPARENT,NAT




TE Part # 1-170823-3  
187 FASTON SLEEVE,REC.,  
TRANSPARENT,NAT


Also in the Series | **FASTON 110**




Crimp Terminal Housings(17)



Insertion & Extraction Tools(1)



PCB Terminals(21)



Quick Disconnects(173)

Customers Also Bought



TE Part #1-1318115-6  
DYNAMIC D-2100 TAB HSG 12P F/H



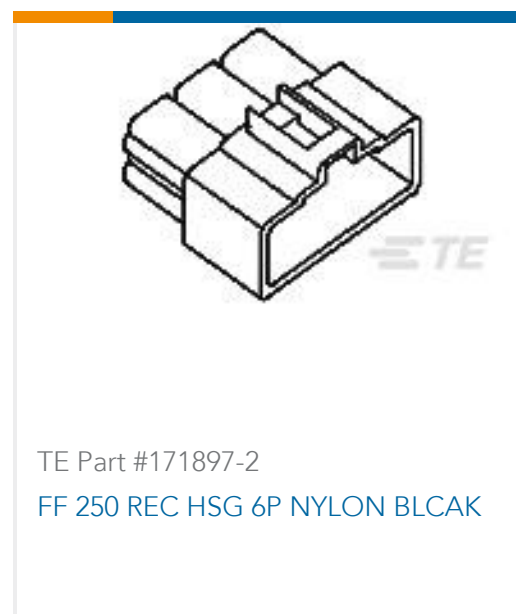
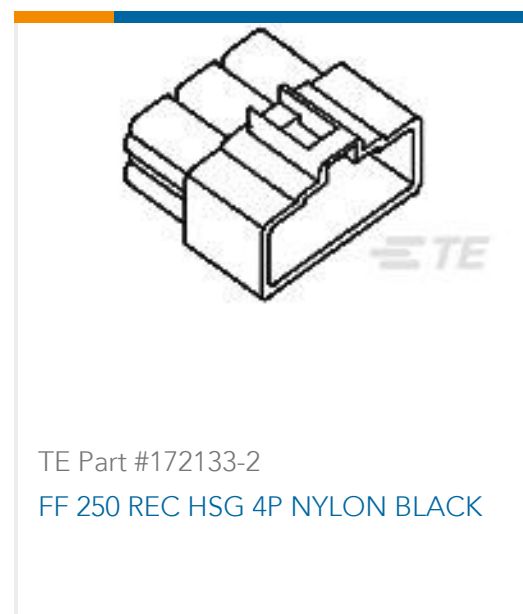
TE Part #170349-2  
FF 250 TAB 22-20AWG TPBR  
WITHOUT LATCH



TE Part #900324-4  
070 RUBBER PLUG S



TE Part #174090-2  
PL .250 (6.3 MM) HOUSING



## Documents

### Product Drawings

110 FASTON SLEEVE,REC.,TRANSPARENT,NAT

English

### CAD Files

3D PDF

3D

Customer View Model

[ENG\\_CVM\\_CVM\\_170823-9\\_F.2d\\_dxf.zip](#)

English

Customer View Model

[ENG\\_CVM\\_CVM\\_170823-9\\_F.3d\\_igs.zip](#)

English

Customer View Model

[ENG\\_CVM\\_CVM\\_170823-9\\_F.3d\\_stp.zip](#)

English

By downloading the CAD file I accept and agree to the [Terms and Conditions](#) of use.

### Datasheets & Catalog Pages

FASTON Housings

English

### Product Specifications

Product Specification

English

### Product Environmental Compliance

Product Compliance

170823-9

Crimp Terminal Housings, Receptacle, Receptacle, 1 Position, Straight, UL 94V-2,  
Natural, Soft PVC, -40 – 221 °F [-40 – 105 °C], FASTON 110



English

**Product Compliance**

English