



AMP-IN

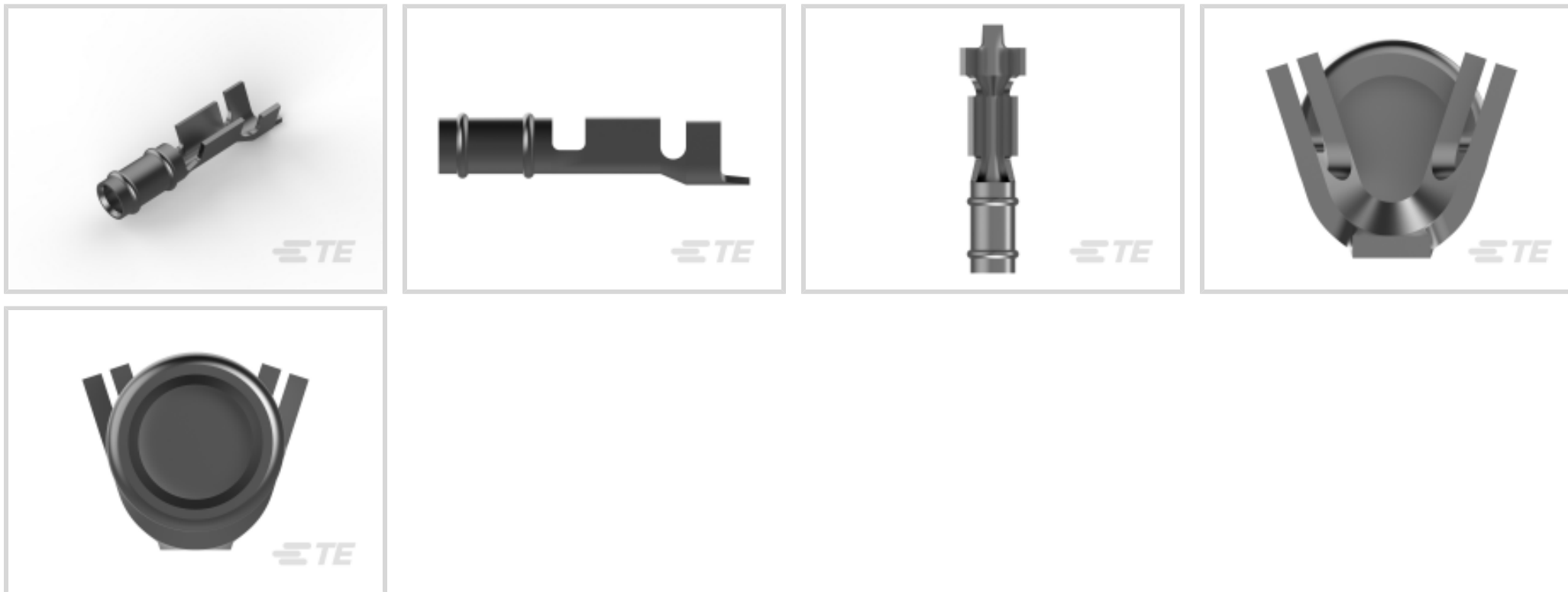
TE Internal #: 170136-2

PCB Terminals, Receptacle, 24 – 20 AWG Wire Size, .2 – .6 mm²

Wire Size, Crimp, Pre-Tin Plating, Reel, Terminates To Wire & Cable

[View on TE.com >](#)

Terminals & Splices > PCB Terminals



PCB Terminal Type: **Receptacle**

Mating Pin Diameter: **1.47 mm [.058 in]**

Accepts Wire Insulation Diameter (Max): **1.78 mm [.07 in]**

Accepts Wire Insulation Diameter Range: **1.14 – 1.78 mm [.045 – .07 in]**

Wire Size: **24 – 20 AWG**

Features

Product Type Features

PCB Terminal Mounting Style	Stud Mount
-----------------------------	------------

Configuration Features

Stud Hole	No
Terminal Angle	180 °

Contact Features

Contact Plating Material	Tin
PCB Terminal Type	Receptacle
Mating Pin Diameter	1.47 mm [.058 in]
Terminal Plating Material	Pre-Tin
Terminal Orientation	Straight

Termination Features

Termination Method to Wire & Cable	Crimp
Product Terminates To	Wire & Cable

Mechanical Attachment



Wire Insulation Support	With
-------------------------	------

Dimensions

Receptacle Terminal Stock Thickness	.25 mm[.01 in]
Accepts Wire Insulation Diameter (Max)	1.78 mm[.07 in]
Accepts Wire Insulation Diameter Range	1.14 – 1.78 mm[.045 – .07 in]
Wire Size	.2 – .6 mm ²

Usage Conditions

Insulation Option	Uninsulated
Operating Temperature Range	-55 – 105 °C[-67 – 221 °F]

Packaging Features

Packaging Quantity	15000
Packaging Method	Reel

Product Compliance

[For compliance documentation, visit the product page on TE.com>](#)

EU RoHS Directive 2011/65/EU	Compliant
EU ELV Directive 2000/53/EC	Compliant
China RoHS 2 Directive MIIT Order No 32, 2016	No Restricted Materials Above Threshold
EU REACH Regulation (EC) No. 1907/2006	Current ECHA Candidate List: JUNE 2022 (224) Candidate List Declared Against: JAN 2022 (223) SVHC > Threshold: Not Yet Reviewed
Halogen Content	Low Halogen - Br, Cl, F, I < 900 ppm per homogenous material. Also BFR/CFR/PVC Free
Solder Process Capability	Not applicable for solder process capability

Product Compliance Disclaimer

This information is provided based on reasonable inquiry of our suppliers and represents our current actual knowledge based on the information they provided. This information is subject to change. The part numbers that TE has identified as EU RoHS compliant have a maximum concentration of 0.1% by weight in homogenous materials for lead, hexavalent chromium, mercury, PBB, PBDE, DBP, BBP, DEHP, DIBP, and 0.01% for cadmium, or qualify for an exemption to these limits as defined in the Annexes of Directive 2011/65/EU (RoHS2). Finished electrical and electronic equipment products will be CE marked as required by Directive 2011/65/EU. Components may not be CE marked. Additionally, the part numbers that TE has identified as EU ELV compliant have a maximum concentration of 0.1% by weight in homogenous materials for lead, hexavalent chromium, and mercury, and 0.01% for cadmium, or qualify for an exemption to these limits as defined in the Annexes of Directive 2000/53/EC (ELV). Regarding the REACH Regulation, the information TE provides

on SVHC in articles for this part number is based on the latest European Chemicals Agency (ECHA) 'Guidance on requirements for substances in articles' posted at this URL: <https://echa.europa.eu/guidance-documents/guidance-on-reach>

Compatible Parts



TE Part # 60789-1
.058 DIA RECEPTACLE LP 20-24



TE Part # 60789-2
.058 DIA RECEPTACLE LP 20-24



TE Part # 60598-4
058 PIN REC IS 22-20 010TPBECU



TE Part # 61119-2
PIN RECPT .058 R/A PTPPHBZ



TE Part # 60789-3
.058 DIA RECEPTACLE LP 20-24
GPPHBR



TE Part # 60598-3
058PIN REC IS 22-20 010PTPHBZ



TE Part # 170137-1
.058 DIA P.C.B REC LP



TE Part # 60598-8
058 PIN REC 24-20 010GPBECU

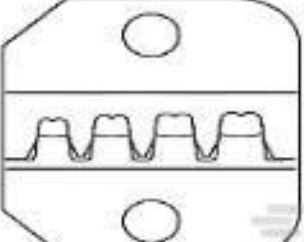


TE Part # 60598-7
.058 PIN REC IS 24-20 GPPHBRZ

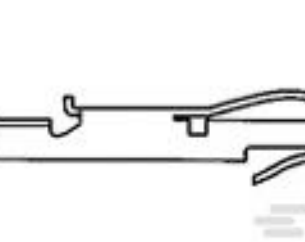


TE Part # 60598-9
.058 PIN REC 24-20 010GPBECU

Customers Also Bought



TE Part #58423-1
DIE, RBY IS9252



TE Part #583853-2
CONT.CRP.SNAP TW.LF.STRIP




TE Part #537221-1
RBK-ILS-MK2/3-PWR-SW-ASSY



TE Part #537221-4
RBK-ILS-MK2/3-INTFC-PCB



TE Part #576092-000
RBK-ILS-MK2-GEN-CONT-PCB



TE Part #870779-000
RBK-ILS-PROC-BEAR-REP-KIT



TE Part #250145-000
RBK-ILS-PROC-FAN



TE Part #014395-000
RBK-ILS-PROC-HTR-PIVT-ASSY

Documents

Product Drawings

1.47MM DIA PIN RECEPT STRIP

Japanese

CAD Files

3D PDF

3D

Customer View Model

[ENG_CVM_CVM_170136-2_O_c-170136-2-o.2d_dxf.zip](#)

English

Customer View Model

[ENG_CVM_CVM_170136-2_O_c-170136-2-o.3d_igs.zip](#)

English

Customer View Model

[ENG_CVM_CVM_170136-2_O_c-170136-2-o.3d_stp.zip](#)

English

By downloading the CAD file I accept and agree to the [Terms and Conditions](#) of use.

Product Specifications

Application Specification

English