

170341-1  ACTIVE

FASTIN-FASTON | FASTIN-FASTON 250

TE Internal #: 170341-1

Quick Disconnects, Tab, 14 – 12 AWG Wire Size, 2.1 – 3.31 mm<sup>2</sup>

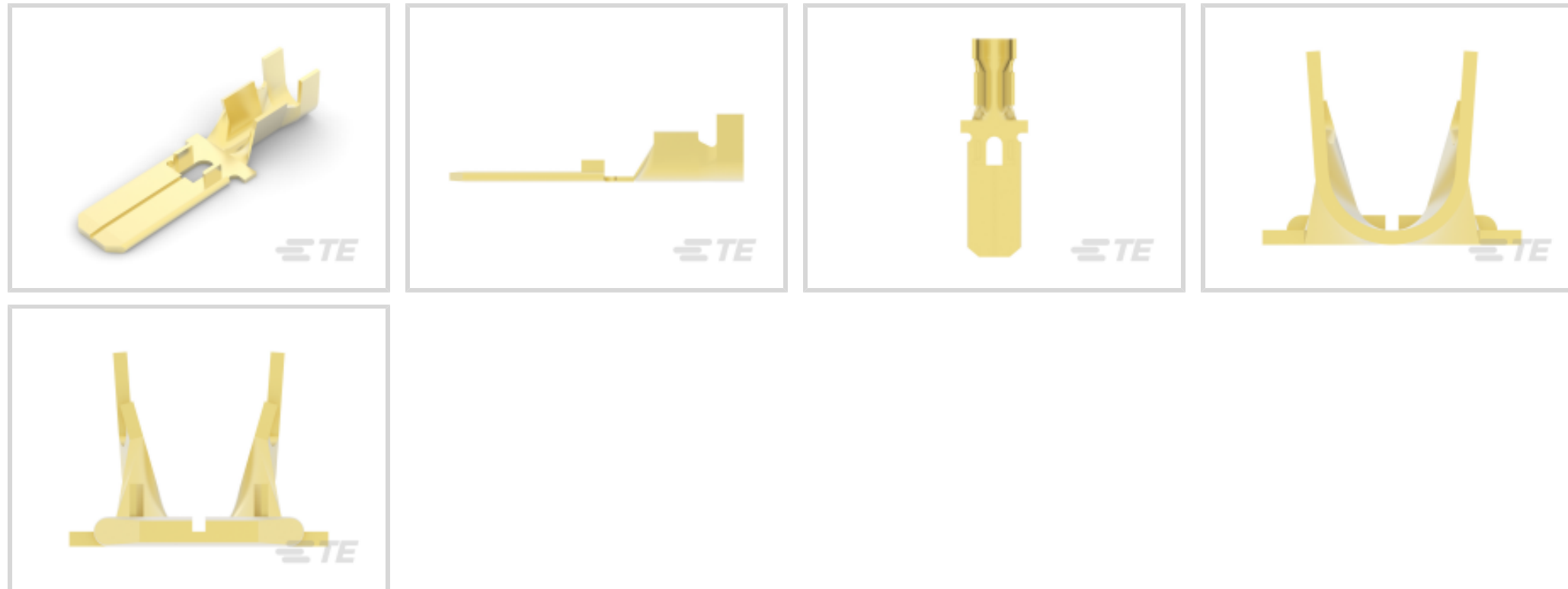
Wire Size, Mating Tab Width .25 in [6.35 mm], Straight, Brass,

FASTIN-FASTON 250

[View on TE.com >](#)



Terminals & Splices > Quick Disconnects



Quick Disconnect Terminal Type: **Tab**

Wire Size: **2.1 – 3.31 mm<sup>2</sup>**

Mating Tab Width: **6.35 mm [ .25 in ]**

Mating Tab Thickness: **.81 mm [ .032 in ]**

## Features

### Product Type Features

|                 |              |
|-----------------|--------------|
| Terminates To   | Wire & Cable |
| Wire Stop       | No           |
| Wire/Cable Type | Regular Wire |
| Sealable        | No           |

### Configuration Features

|                     |        |
|---------------------|--------|
| Connection Capacity | Single |
|---------------------|--------|

### Contact Features

|                                |                 |
|--------------------------------|-----------------|
| Quick Disconnect Terminal Type | Tab             |
| Mating Tab Width               | 6.35 mm[.25 in] |
| Mating Tab Thickness           | .81 mm[.032 in] |
| Terminal Orientation           | Straight        |
| Contact Base Material          | Brass           |
| Terminal Plating Material      | Unplated        |
| Crimp Type                     | F-Crimp         |
| Barrel Type                    | Open            |



### Mechanical Attachment

|                         |               |
|-------------------------|---------------|
| Mating Retention Type   | Locking Lance |
| Wire Insulation Support | With          |

### Dimensions

|  |                              |
|--|------------------------------|
| Accepts Wire Insulation Diameter Range | 2.9 – 3.8 mm [.114 – .15 in] |
| Overall Length                         | 26.4 mm [1.039 in]           |
| Receptacle Terminal Stock Thickness    | .4 mm [.015 in]              |
| Wire Size                              | 2.1 – 3.31 mm <sup>2</sup>   |

### Usage Conditions

|                             |                             |
|-----------------------------|-----------------------------|
| Insulation Option           | Uninsulated                 |
| Operating Temperature Range | -40 – 110 °C [-40 – 230 °F] |

### Packaging Features

|                    |            |
|--------------------|------------|
| Packaging Quantity | 4000       |
| Packaging Method   | Strip/Reel |

### Product Compliance

[For compliance documentation, visit the product page on TE.com>](#)

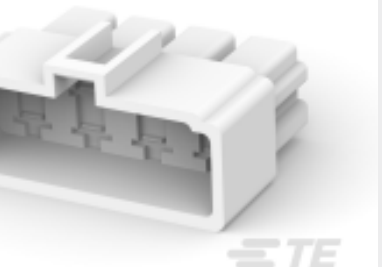
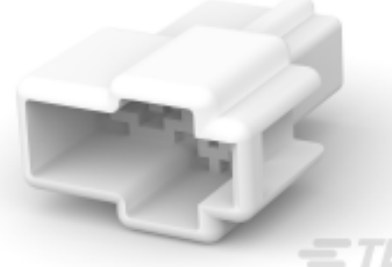
|   |   |
|---|---|
| EU RoHS Directive 2011/65/EU                  | Compliant   |
| EU ELV Directive 2000/53/EC                   | Compliant   |
| China RoHS 2 Directive MIIT Order No 32, 2016 | No Restricted Materials Above Threshold   |
| EU REACH Regulation (EC) No. 1907/2006        | Current ECHA Candidate List: JUNE 2022 (224)<br>Candidate List Declared Against: JUNE 2022 (224)<br>Does not contain REACH SVHC |
| Halogen Content                               | Low Halogen - Br, Cl, F, I < 900 ppm per homogenous material. Also BFR/CFR/PVC Free   |
| Solder Process Capability                     | Not applicable for solder process capability  |

#### Product Compliance Disclaimer

This information is provided based on reasonable inquiry of our suppliers and represents our current actual knowledge based on the information they provided. This information is subject to change. The part numbers that TE has identified as EU RoHS compliant have a maximum concentration of 0.1% by weight in homogenous materials for lead, hexavalent chromium, mercury, PBB, PBDE, DBP, BBP, DEHP, DIBP, and 0.01% for cadmium, or qualify for an exemption to these limits as defined in the Annexes of Directive 2011/65/EU (RoHS2). Finished electrical and electronic equipment products will be CE marked as required by Directive 2011/65/EU. Components may not be CE marked. Additionally, the part numbers that TE has identified as EU ELV compliant have a maximum concentration of 0.1% by weight in homogenous

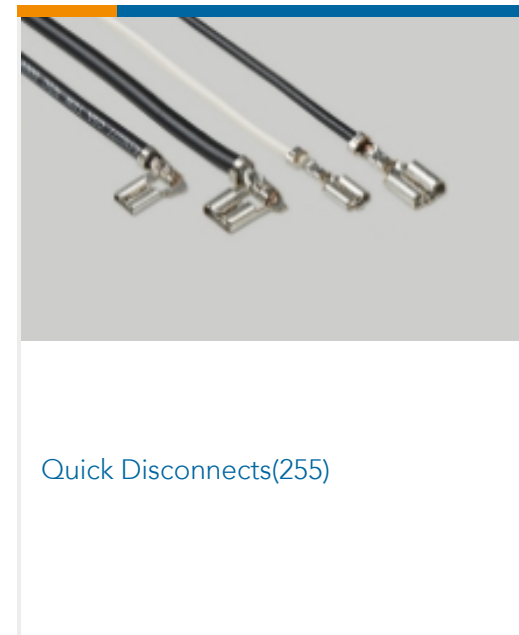
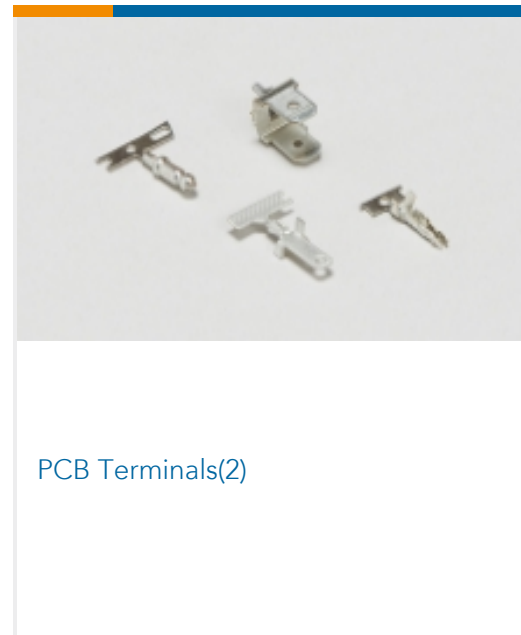
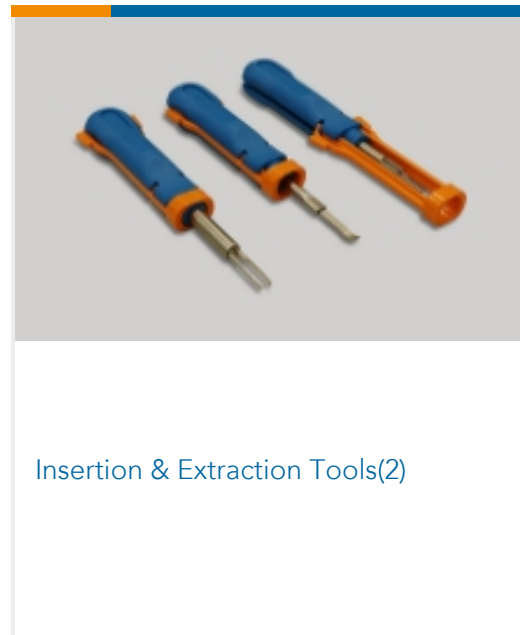
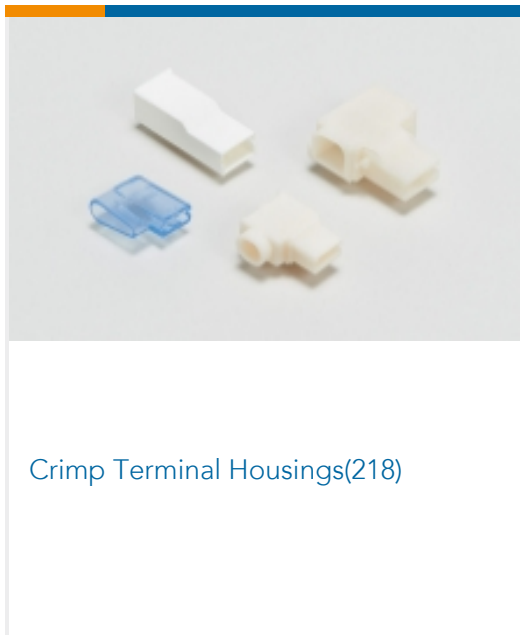
materials for lead, hexavalent chromium, and mercury, and 0.01% for cadmium, or qualify for an exemption to these limits as defined in the Annexes of Directive 2000/53/EC (ELV). Regarding the REACH Regulation, the information TE provides on SVHC in articles for this part number is based on the latest European Chemicals Agency (ECHA) 'Guidance on requirements for substances in articles' posted at this URL: <https://echa.europa.eu/guidance-documents/guidance-on-reach>

## Compatible Parts

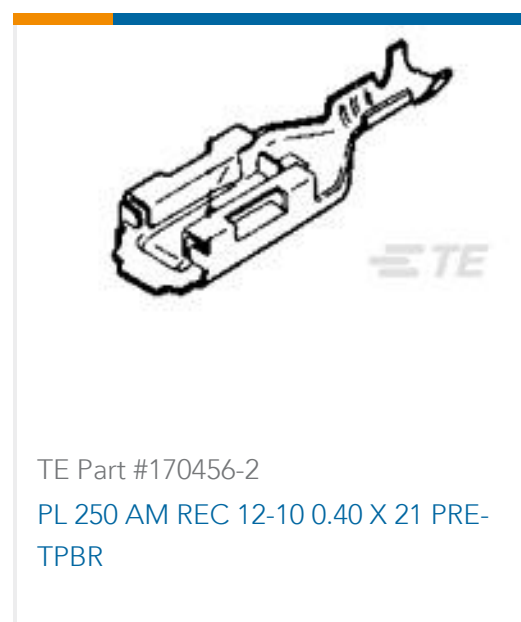
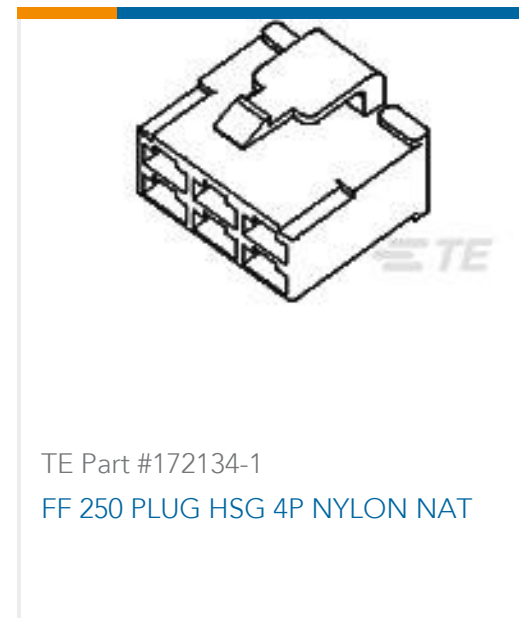
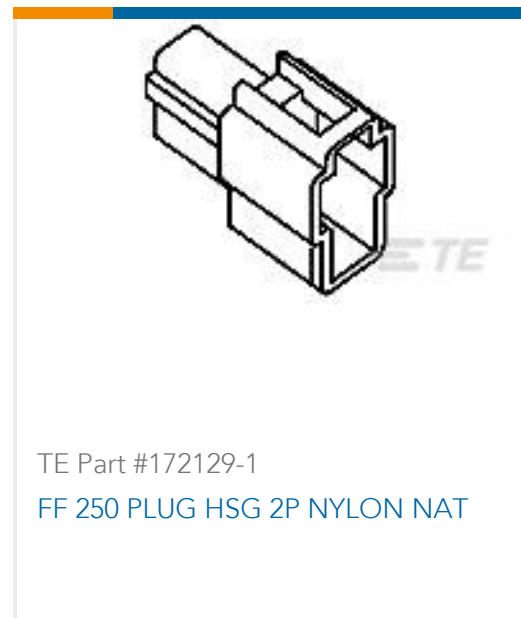
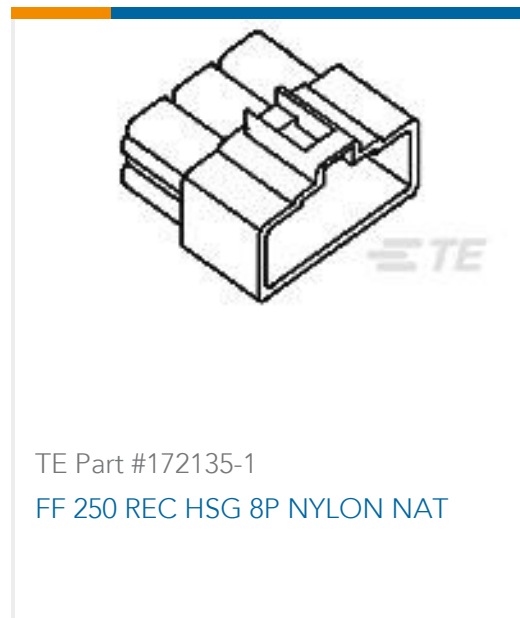
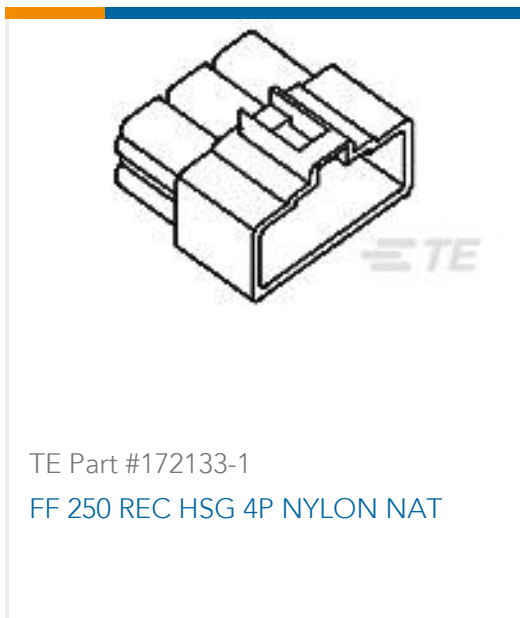
|  |   |   |   |
|--|---|---|---|
|  <p>TE Part # 480004-5<br/>FF 250 TAB HSG 6P NYLON NAT</p>    |  <p>TE Part # 163008<br/>FF 250 TAB HSG 8P NYLON CLEAR</p>   |  <p>TE Part # 172131-1<br/>FF 250 REC HSG 3P NYLON NAT</p>     |  <p>TE Part # 171897-1<br/>FF 250 REC HSG 6P NYLON NAT</p>       |
|  <p>TE Part # 172137-1<br/>FF 250 REC HSG 10P NYLON NAT</p> |  <p>TE Part # 180906<br/>FF 250 TAB HSG 6P NYLON NAT</p>   |  <p>TE Part # 178025-1<br/>FF 250 CAP HSG DBL 6P NAT</p>     |  <p>TE Part # 180901<br/>FF 250 TAB HSG 4P NYLON NAT</p>       |
|  <p>TE Part # 172133-1<br/>FF 250 REC HSG 4P NYLON NAT</p>  |  <p>TE Part # 180940<br/>FF 250 TAB HSG 3P NYLON NAT</p>   |  <p>TE Part # 172135-1<br/>FF 250 REC HSG 8P NYLON NAT</p>   |  <p>TE Part # 172129-1<br/>FF 250 PLUG HSG 2P NYLON NAT</p>    |
|  <p>TE Part # 180924<br/>FF 250 TAB HSG 2P NYLON NAT</p>    |  <p>TE Part # 926097-1<br/>FF 250 TAB HSG 3P NYLON NAT</p> |  <p>TE Part # 180908-5<br/>FF 250 TAB HSG 2P NYLON BLACK</p> |  <p>TE Part # 172383-1<br/>FF 250 REC HSG 2P NYLON NAT P/M</p> |



Also in the Series | **FASTIN-FASTON 250**



Customers Also Bought





## Documents

### Product Drawings

#### FF 250 TAB 14-12AWG BR WITHOUT LATCH

English

### CAD Files

#### Customer View Model

##### ENG\_CVM\_CVM\_170341-1\_J.2d\_dxf.zip

English

#### 3D PDF

3D

#### Customer View Model

##### ENG\_CVM\_CVM\_170341-1\_J.3d\_igs.zip

English

#### Customer View Model

##### ENG\_CVM\_CVM\_170341-1\_J.3d\_stp.zip

English

By downloading the CAD file I accept and agree to the [Terms and Conditions](#) of use.

### Product Specifications

#### Crimping of 250 Series Tab and Receptacle Contacts

Japanese

#### Application Specification

Japanese

#### Application Specification

Japanese

#### Crimping of 250 Series Tab and Receptacle Contacts

Japanese

### Product Environmental Compliance

#### Product Compliance

English

#### Product Compliance

English

### Instruction Sheets

#### Customer Manual (non U.S.)

Japanese

#### "250" Series, Housing Lance Connector

Japanese