

172765-1 ✓ ACTIVE

Positive Lock | Positive Lock 250

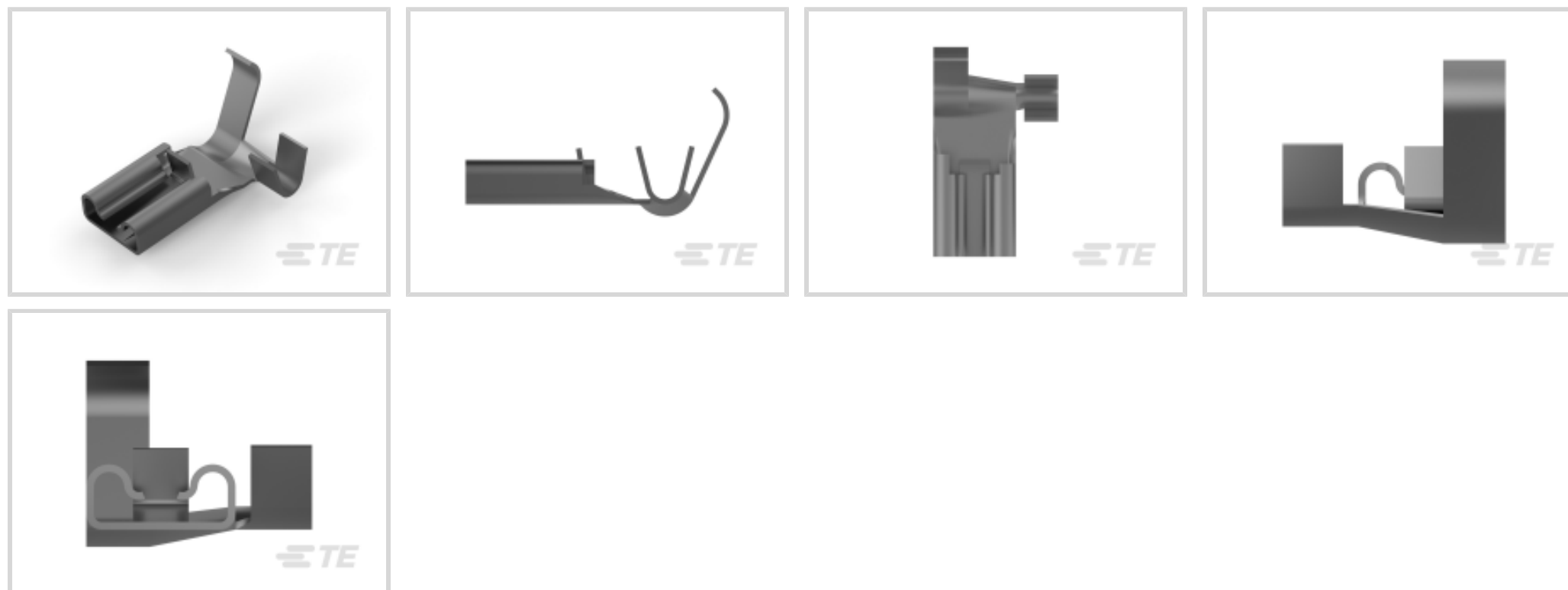
TE Internal #: 172765-1

Quick Disconnects, Receptacle, 14 – 12 AWG Wire Size, 2.1 – 3.31 mm² Wire Size, Mating Tab Width .25 in [6.35 mm], Flag, Brass, Positive Lock 250

[View on TE.com >](#)



Terminals & Splices > Quick Disconnects



Quick Disconnect Terminal Type: **Receptacle**

Wire Size: **2.1 – 3.31 mm²**

Mating Tab Width: **6.35 mm [.25 in]**

Mating Tab Thickness: **.81 mm [.032 in]**

Features

Product Type Features

Terminates To	Wire & Cable
Wire Stop	No
Wire/Cable Type	Regular Wire
Insertion Force	Low
Sealable	No

Configuration Features

Connection Capacity	Single
---------------------	--------

Contact Features

Quick Disconnect Terminal Type	Receptacle
Mating Tab Width	6.35 mm [.25 in]
Mating Tab Thickness	.81 mm [.032 in]
Terminal Orientation	Flag
Contact Base Material	Brass
Terminal Plating Material	Pre-Tin
Crimp Type	F-Crimp



Barrel Type	Open
-------------	------

Mechanical Attachment

Mating Retention Type	Dimple
Extraction Force	7 – 100 Newton
Wire Insulation Support	With

Dimensions

Accepts Wire Insulation Diameter Range	2.8 – 5.2 mm [.11 – .204 in]
Overall Length	21.6 mm [.85 in]
Receptacle Terminal Stock Thickness	.41 mm [.016 in]
Wire Size	2.1 – 3.31 mm ²

Usage Conditions

Insulation Option	Uninsulated
Operating Temperature Range	-40 – 110 °C [-40 – 230 °F]

Industry Standards

UL Rating	Recognized
-----------	------------

Packaging Features

Packaging Quantity	2000
Packaging Method	Strip/Reel

Product Compliance

[For compliance documentation, visit the product page on TE.com>](#)

EU RoHS Directive 2011/65/EU	Compliant
EU ELV Directive 2000/53/EC	Compliant
China RoHS 2 Directive MIIT Order No 32, 2016	No Restricted Materials Above Threshold
EU REACH Regulation (EC) No. 1907/2006	Current ECHA Candidate List: JUNE 2022 (224) Candidate List Declared Against: JAN 2022 (223) SVHC > Threshold: Not Yet Reviewed
Halogen Content	Low Halogen - Br, Cl, F, I < 900 ppm per homogenous material. Also BFR/CFR/PVC Free
Solder Process Capability	Not applicable for solder process capability

Product Compliance Disclaimer

This information is provided based on reasonable inquiry of our suppliers and represents our current actual knowledge based on the information they provided. This information is subject to change. The part numbers that TE has identified as EU RoHS compliant have a maximum concentration of 0.1% by weight in homogenous materials for lead, hexavalent chromium, mercury, PBB, PBDE, DBP, BBP, DEHP, DIBP, and 0.01% for cadmium, or qualify for an exemption to these limits as defined in the Annexes of Directive 2011/65/EU (RoHS2). Finished electrical and electronic equipment products will be CE marked as required by Directive 2011/65/EU. Components may not be CE marked. Additionally, the part numbers that TE has identified as EU ELV compliant have a maximum concentration of 0.1% by weight in homogenous materials for lead, hexavalent chromium, and mercury, and 0.01% for cadmium, or qualify for an exemption to these limits as defined in the Annexes of Directive 2000/53/EC (ELV). Regarding the REACH Regulation, the information TE provides on SVHC in articles for this part number is based on the latest European Chemicals Agency (ECHA) 'Guidance on requirements for substances in articles' posted at this URL: <https://echa.europa.eu/guidance-documents/guidance-on-reach>

Compatible Parts



TE Part # 1-172469-2
PL 250 (6.3 MM) HOUSING BLUE 6/6 NYLON



TE Part # 341299-2
PL 250 REC TERMINAL 20-15 AWG PTPB



TE Part # 1-172469-1
PL 250 HOUSING NATURAL 6/6 NYLON



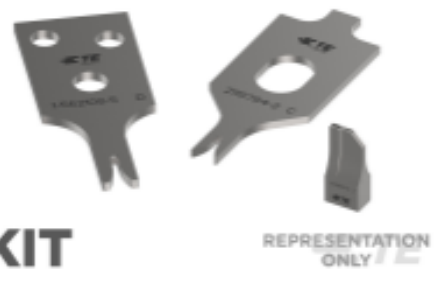
TE Part # 2-2150940-2
OCEAN_2.0_Applicator-E-130F219OA



TE Part # 2150940-2
OCEAN_2.0_Applicator-E-130F219OA

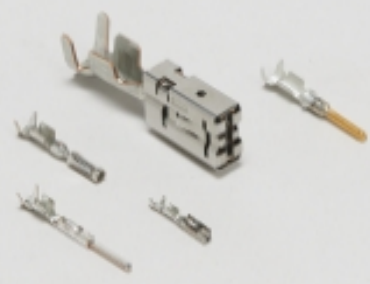


TE Part # 7-2150940-2
OCEAN_2.0_Applicator-E-130F219OA

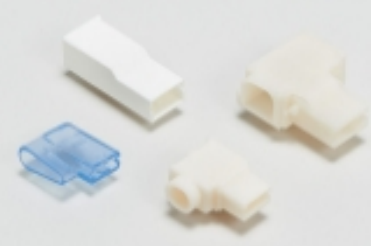


TE Part # 7-2150940-7
OCEAN_2.0_SPARE_PART_KIT-130F219O


Also in the Series | Positive Lock 250



Automotive Terminals(1)



Crimp Terminal Housings(203)



Insertion & Extraction Tools(3)



Insulation Boots & Sleeves(4)



Quick Disconnects(189)

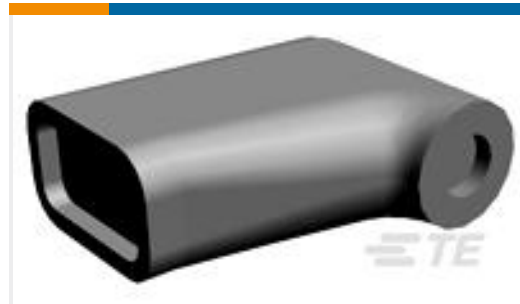
Customers Also Bought



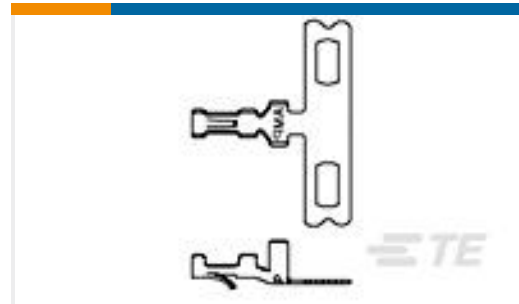
TE Part #3-644038-4
04P MTA100 CONN ASSY POL 15AU



TE Part #1743632-2
HYB SLD 36P PLUG ASSY



TE Part #170891-2
250 FASTON HSG., FLAG, REC., NATURAL



TE Part #3-640401-1
MINI AMP-IN 26-22 SN/PHBZ



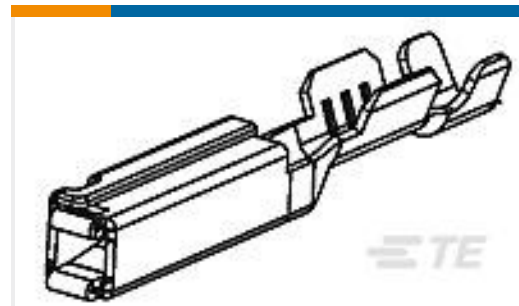
TE Part #61299-3
SPLICE 7000-12500 .031 BR



TE Part #1897213-2
MCP 6.3 2P CAP HSG



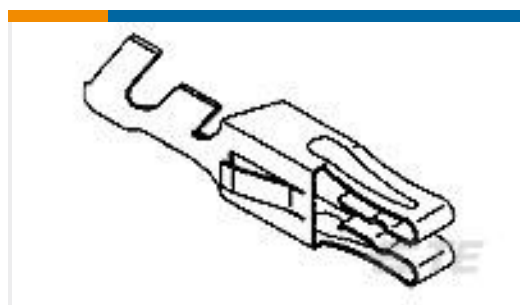
TE Part #1241412-1
AMP MCP 6.3/4.8K, CONTACT, SWS



TE Part #1393365-1
V23540X7000Y20GET-FEM TERM AU



TE Part #34176
TERMINAL, PG SPD 12-10 10



TE Part #5-530519-2
HIGH CURRENT CONT-STRIP

Documents

Product Drawings

[PL 250 FLAG REC 14-12 0.40 X 49.2 PTBR](#)

English

CAD Files

[3D PDF](#)

3D

[Customer View Model](#)

[ENG_CVM_CVM_172765-1_E.2d_dxf.zip](#)



English

Customer View Model

[ENG_CVM_CVM_172765-1_E.3d_igs.zip](#)

English

Customer View Model

[ENG_CVM_CVM_172765-1_E.3d_stp.zip](#)

English

By downloading the CAD file I accept and agree to the [Terms and Conditions](#) of use.

Datasheets & Catalog Pages

[1654742_HOUSEHOLD_APPLIANCES_RAST5](#)

English

Positive Lock Receptacles

English

Product Specifications

[1-Pos. '250' Flag, Positive Lock Connector](#)

Japanese

Application Specification

Japanese

Product Environmental Compliance

Product Compliance

English

Product Compliance

English