



SOLISTRAND

TE Internal #: 170721-2

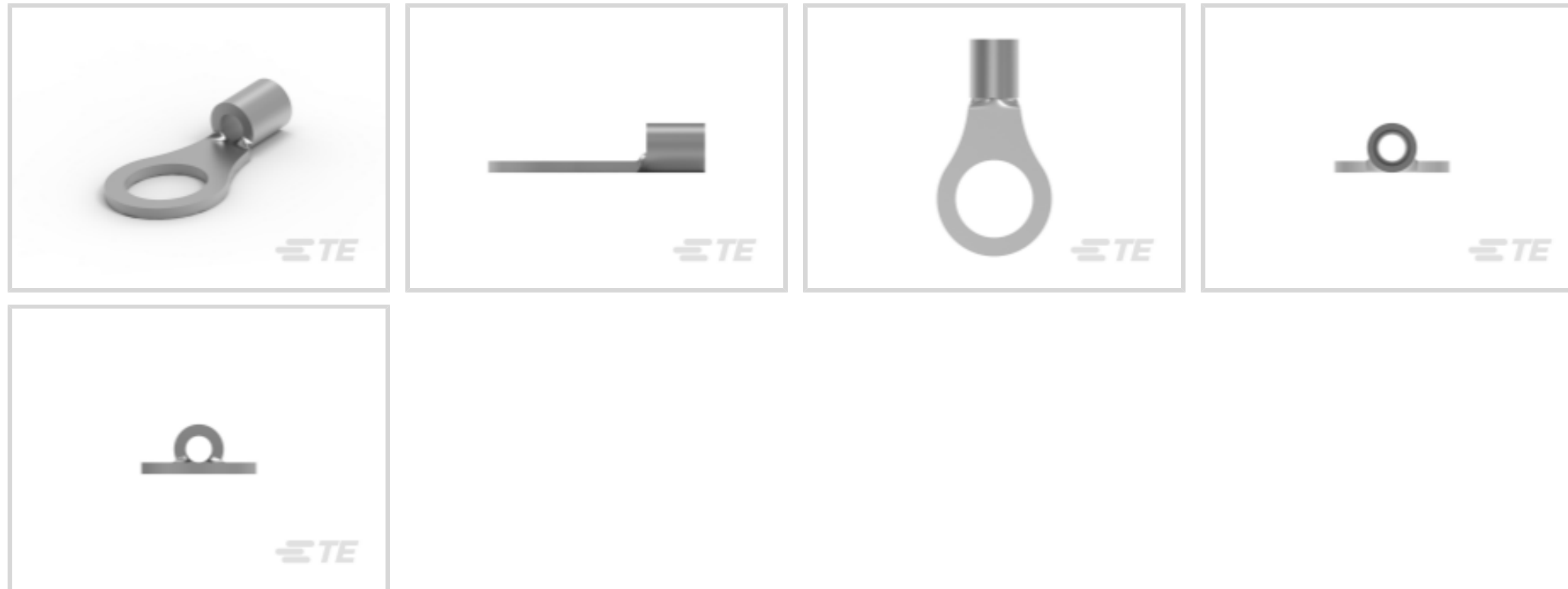
Ring Terminals & Spade Terminals, Ring Tongue, 22 – 18 AWG

Wire Size, .3 – 1.42 mm<sup>2</sup> Wire Size, 509 – 3260 CMA Wire Size, Stud

Size M5

[View on TE.com >](#)

Terminals & Splices > Ring Terminals & Spade Terminals



Ring & Spade Terminal Type: **Ring Tongue**

Wire Size: **509 – 3260 CMA**

Stud Size: **M5**

**Features**

**Product Type Features**

Shape Description	RING-048
Stud Size	M5
Sealable	No
Wire Insulation Support Retention Type	Non-Insulation Support

**Configuration Features**

Number of Holes	1
Terminal Angle	180 °

**Body Features**

Inspection Slot	No
-----------------	----

**Contact Features**

Ring & Spade Terminal Type	Ring Tongue
Barrel Type	Closed
Terminal Orientation	Offset
Terminal Plating Material	Tin

**Mechanical Attachment**



Wire Insulation Support	Without
-------------------------	---------

### Dimensions

Wire Size	509 – 3260 CMA
Stud Diameter	5.4 mm[.213 in]
Tongue Thickness	.79 mm[.031 in]
Overall Product Length	16 mm[.623 in]
Barrel Inside Diameter	2.55 mm[.1 in]

### Usage Conditions

Insulation Option	Uninsulated
Operating Temperature Range	170 °C[338 °F]

### Operation/Application

Compatible With Wire Base Material	Copper
Compatible With Wire Plating Material	Tin
Heavy Duty	No

### Industry Standards

Government Qualified	No
----------------------	----

### Packaging Features

Packaging Quantity	1000
Packaging Method	Box

### Product Compliance

[For compliance documentation, visit the product page on TE.com>](#)

EU RoHS Directive 2011/65/EU	Compliant
EU ELV Directive 2000/53/EC	Compliant
China RoHS 2 Directive MIIT Order No 32, 2016	No Restricted Materials Above Threshold
EU REACH Regulation (EC) No. 1907/2006	Current ECHA Candidate List: JUNE 2022 (224) Candidate List Declared Against: JAN 2022 (223) SVHC > Threshold: Not Yet Reviewed
Halogen Content	Low Halogen - Br, Cl, F, I < 900 ppm per homogenous material. Also BFR/CFR/PVC Free
Solder Process Capability	Not applicable for solder process capability

Product Compliance Disclaimer

This information is provided based on reasonable inquiry of our suppliers and represents our current actual knowledge based on the information they provided. This information is subject to change. The part numbers that TE has identified as EU RoHS compliant have a maximum concentration of 0.1% by weight in homogenous materials for lead, hexavalent chromium, mercury, PBB, PBDE, DBP, BBP, DEHP, DIBP, and 0.01% for cadmium, or qualify for an exemption to these limits as defined in the Annexes of Directive 2011/65/EU (RoHS2). Finished electrical and electronic equipment products will be CE marked as required by Directive 2011/65/EU. Components may not be CE marked. Additionally, the part numbers that TE has identified as EU ELV compliant have a maximum concentration of 0.1% by weight in homogenous materials for lead, hexavalent chromium, and mercury, and 0.01% for cadmium, or qualify for an exemption to these limits as defined in the Annexes of Directive 2000/53/EC (ELV). Regarding the REACH Regulation, the information TE provides on SVHC in articles for this part number is based on the latest European Chemicals Agency (ECHA) 'Guidance on requirements for substances in articles' posted at this URL: <https://echa.europa.eu/guidance-documents/guidance-on-reach>

### Compatible Parts



REPRESENTATION ONLY

TE Part # 49935  
DAHT SOLIS 22-10 ASSY



TE Part # 47812  
DIES SOLIS 22-16 DIE SET




TE Part # 539662-2  
MATR SOLISTR 0,3-6,



TE Part # 169400  
CERTI-LOK

### Customers Also Bought



TE Part #3-520276-2  
ULTRA-FAST 187 ASY REC 16-14 AWG TPBR



TE Part #342184-1  
12-10 F.E.P.G. RING TERMINAL



TE Part #4-1423675-0  
W57-XB1A4A10-20=CKTBKR,THERM,P




TE Part #327639  
SPLICE BUTT PIDG 12-10/22-18



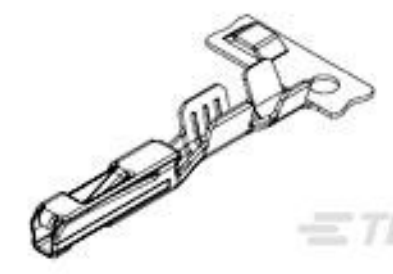
TE Part #YDTS26F15-18PNV001  
PLUG ASSY



TE Part #54725-1  
TERMINAL R 90 DEG PG 8 1/4



TE Part #CZ2554-000  
SCT-NO.5-Z4-0-50MM



TE Part #1326028-1  
0.64MM FEMALE CONTACT,AU,18-20



## Documents

### Product Drawings

#### SOLISTRAND RINGTONG

English

### CAD Files

#### 3D PDF

3D

#### Customer View Model

[ENG\\_CVM\\_CVM\\_170721-2\\_G.2d\\_dxf.zip](#)

English

#### Customer View Model

[ENG\\_CVM\\_CVM\\_170721-2\\_G.3d\\_igs.zip](#)

English

#### Customer View Model

[ENG\\_CVM\\_CVM\\_170721-2\\_G.3d\\_stp.zip](#)

English

By downloading the CAD file I accept and agree to the [Terms and Conditions](#) of use.

### Product Specifications

#### Product Specification

English

#### SOLISTRAND TERMINALS

English

#### Product Specification

English

#### NON-INSULATED SOLDERLESS SOLISTRAND TERMINAL FOR COPPER WIRE

English

#### NON-INSULATED SOLDERLESS SOLISTRAND TERMINAL FOR COPPER WIRE

Japanese

#### Product Specification

Japanese

### Agency Approvals

#### UL Report

English

