

1735251-2 ✓ ACTIVE

AMP-METRIMATE, DDR2 SO DIMM

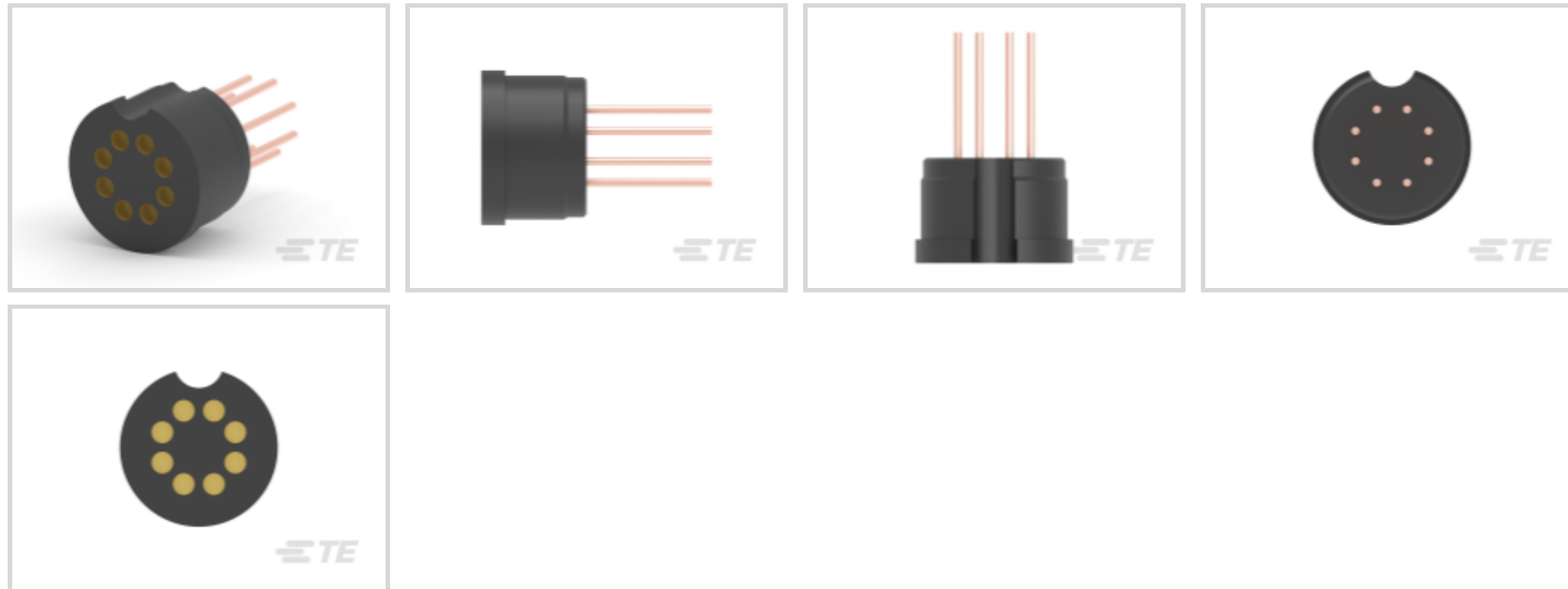
TE Internal #: 1735251-2

SO DIMM Sockets, Double Data Rate (DDR) 2, Stack Height .205 in [5.2 mm], Right Angle Module Orientation, Surface Mount Mount, DDR2 SO DIMM

[View on TE.com >](#)



Connectors > Socket Connectors > Memory Sockets > SO DIMM Sockets > DDR3 SO DIMM Sockets



DRAM Type: **Double Data Rate (DDR) 2**

Stack Height: **5.2 mm [ .205 in ]**

Module Orientation: **Right Angle**

PCB Mounting Style: **Surface Mount**

Connector System: **Cable-to-Board**

[All DDR3 SO DIMM Sockets \(12\)](#)

## Features

### Product Type Features

DRAM Type	Double Data Rate (DDR) 2
Connector System	Cable-to-Board
Sealable	No
Connector & Contact Terminates To	Printed Circuit Board
Product Type	Socket

### Configuration Features

Number of Bays	2
Center Key	None
Number of Keys	1
Module Orientation	Right Angle
Number of Positions	144
Number of Rows	2
Keying	Standard



### Electrical Characteristics

DRAM Voltage	1.8 V
--------------	-------

### Signal Characteristics

SGRAM Voltage	1.8 V
---------------	-------

### Body Features

Ejector Location	Both Ends
Latch Material	Stainless Steel
Latch Plating Material	Tin
Module Key Type	SGRAM
Ejector Type	Locking
Connector Profile	Standard

### Contact Features

Socket Style	SO DIMM
PCB Contact Termination Area Plating Material	Gold
Contact Base Material	Copper Alloy
Contact Mating Area Plating Material	Gold
Contact Mating Area Plating Material Thickness	.25 $\mu\text{m}$ [9.84 $\mu\text{in}$ ]
Socket Type	Memory Card

### Termination Features

Insertion Style	Cam-In
-----------------	--------

### Mechanical Attachment

PCB Mount Retention	With
PCB Mount Retention Type	Hold-Down Post
PCB Mounting Style	Surface Mount
Connector Mounting Type	Board Mount

### Housing Features

Centerline (Pitch)	.8 mm[.031 in]
Housing Color	Black
Housing Material	High Temperature Thermoplastic

### Dimensions

Stack Height	5.2 mm[.205 in]
--------------	-----------------



Row-to-Row Spacing	6.2 mm[.244 in]
--------------------	-----------------

### Usage Conditions

Operating Temperature Range	-55 – 105 °C[-67 – 221 °F]
-----------------------------	----------------------------

### Operation/Application

Circuit Application	Signal
---------------------	--------

### Industry Standards

UL Flammability Rating	UL 94V-0
------------------------	----------

### Packaging Features

Packaging Method	Box, Tray
------------------	-----------

Packaging Quantity	240
--------------------	-----

### Product Compliance

[For compliance documentation, visit the product page on TE.com>](#)

EU RoHS Directive 2011/65/EU	Compliant
------------------------------	-----------

EU ELV Directive 2000/53/EC	Compliant
-----------------------------	-----------

China RoHS 2 Directive MIIT Order No 32, 2016	No Restricted Materials Above Threshold
---	---

EU REACH Regulation (EC) No. 1907/2006	Current ECHA Candidate List: JUNE 2022 (224) Candidate List Declared Against: JAN 2022 (223) SVHC > Threshold: Not Yet Reviewed
--	--

Halogen Content	Low Halogen - Br, Cl, F, I < 900 ppm per homogenous material. Also BFR/CFR/PVC Free
-----------------	---

Solder Process Capability	Reflow solder capable to 260°C
---------------------------	--------------------------------

#### Product Compliance Disclaimer

This information is provided based on reasonable inquiry of our suppliers and represents our current actual knowledge based on the information they provided. This information is subject to change. The part numbers that TE has identified as EU RoHS compliant have a maximum concentration of 0.1% by weight in homogenous materials for lead, hexavalent chromium, mercury, PBB, PBDE, DBP, BBP, DEHP, DIBP, and 0.01% for cadmium, or qualify for an exemption to these limits as defined in the Annexes of Directive 2011/65/EU (RoHS2). Finished electrical and electronic equipment products will be CE marked as required by Directive 2011/65/EU. Components may not be CE marked. Additionally, the part numbers that TE has identified as EU ELV compliant have a maximum concentration of 0.1% by weight in homogenous materials for lead, hexavalent chromium, and mercury, and 0.01% for cadmium, or qualify for an exemption to these limits as defined in the Annexes of Directive 2000/53/EC (ELV). Regarding the REACH Regulation, the information TE provides on SVHC in articles for this part number is based on the latest European Chemicals Agency (ECHA) 'Guidance on requirements for substances in articles' posted at this URL: <https://echa.europa.eu/guidance-documents/guidance-on-reach>

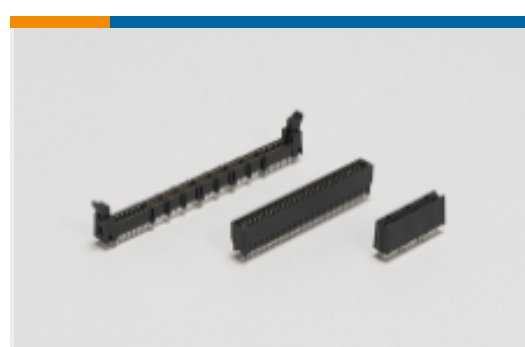


## Compatible Parts

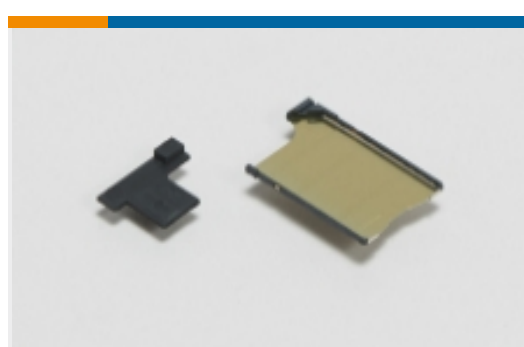


TE Part # 2309407-1  
DDR4 SODIMM 260P 4.0H STD

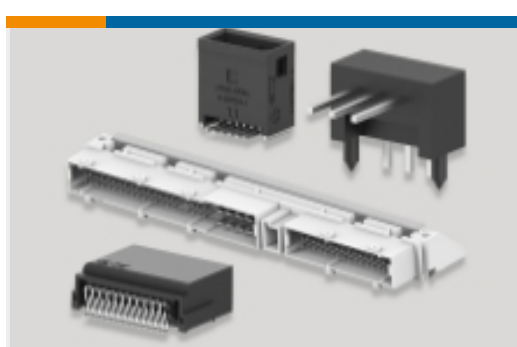
## Also in the Series | AMP-METRIMATE



Card Edge Power Connectors(1)



Card Guide Hardware(1)



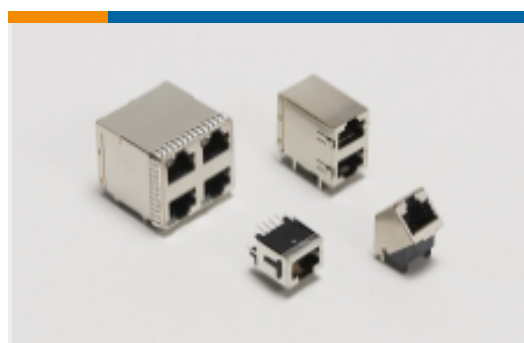
PCB Headers & Receptacles(3)



Rack & Panel Connectors(1)



Rectangular Power Connectors(9)



RJ45 Connectors(51)



SO DIMM Sockets(12)

## Also in the Series | DDR2 SO DIMM



SO DIMM Sockets(24)

## Customers Also Bought



TE Part #1-292206-4  
MINI CT SGL DIP H 14P NAT



TE Part #1-292230-4  
1.5 MINI CT SGL V SMT W/BOSS 1



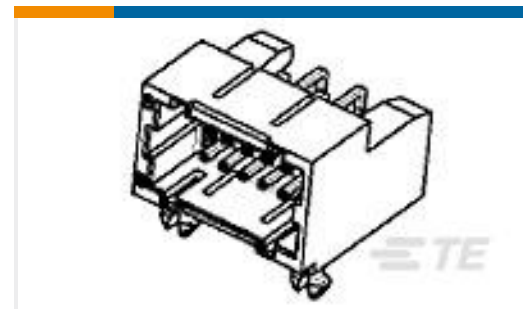
TE Part #1-1318126-2  
V-HDR ASSY 12P FOR SEQUENTIAL



TE Part #2-292250-2  
CT P/HDR BOX H ASSY 2P W/KINK



TE Part #4-179228-3  
CT CRIMP-2 REC HSG 3P YELLOW



TE Part #4-292262-0  
DBL ROW (H) DIP TYPE WITH BOAR



TE Part #3-292206-5  
MINI CT SGL DIP H 15P BLACK

## Documents

### CAD Files

#### 3D PDF

3D

#### Customer View Model

[ENG\\_CVM\\_CVM\\_1735251-2\\_A.2d\\_dxf.zip](#)

English

#### Customer View Model

[ENG\\_CVM\\_CVM\\_1735251-2\\_A.3d\\_igs.zip](#)

English

#### Customer View Model

[ENG\\_CVM\\_CVM\\_1735251-2\\_A.3d\\_stp.zip](#)

English

By downloading the CAD file I accept and agree to the [Terms and Conditions](#) of use.

### Product Specifications

#### Product Specification

English

[Socket, 144 Position Surface Mount 8 Byte SO DIMM](#)

English

### Product Environmental Compliance

#### Product Compliance

English

#### Product Compliance

English