

1734300-1 ✓ ACTIVE

TE Internal #: 1734300-1

PCB Spring Contact, C-Clip, Uncompressed Height 3 mm [.118 in],

Length .177 in [4.5 mm], Width 2.5 mm [.098 in], .075 in [1.9 mm]

Working Range (Low)

[View on TE.com >](#)



Connectors > PCB Connectors > Board-to-Board Connectors > PCB Spring Contacts



Spring Finger Type: **C-Clip**

Scalable: **No**

Side Protected: **No**

Uncompressed Height: **3 mm [.118 in]**

Contact Length: **4.5 mm [.177 in]**

Features

Product Type Features

Spring Finger Type	C-Clip
Scalable	No
Connector System	Board-to-Board
Sealable	No
Connector & Contact Terminates To	Printed Circuit Board

Configuration Features

Side Protected	No
Number of Positions	1

Contact Features

Contact Underplating Material	Nickel
PCB Contact Termination Area Plating Material	Gold
Contact Base Material	Copper Alloy
Contact Length	4.5 mm[.177 in]
Contact Width	2.5 mm[.098 in]
Contact Working Range (Low)	1.9 mm[.075 in]
Contact Working Range (High)	2.8 mm[.11 in]
Point of Contact Area Plating Material	Gold
Contact Current Rating (Max)	1.5 A



Dimensions

Uncompressed Height	3 mm [.118 in]
---------------------	----------------

Usage Conditions

Operating Temperature Range	-40 – 85 °C [-40 – 185 °F]
-----------------------------	----------------------------

Operation/Application

Circuit Application	Signal
---------------------	--------

Packaging Features

Packaging Quantity	2500
Packaging Method	Tape & Reel

Product Compliance

[For compliance documentation, visit the product page on TE.com>](#)

EU RoHS Directive 2011/65/EU	Compliant
EU ELV Directive 2000/53/EC	Compliant
China RoHS 2 Directive MIIT Order No 32, 2016	No Restricted Materials Above Threshold
EU REACH Regulation (EC) No. 1907/2006	Current ECHA Candidate List: JUNE 2022 (224) Candidate List Declared Against: JAN 2022 (223) SVHC > Threshold: Not Yet Reviewed
Halogen Content	Low Halogen - Br, Cl, F, I < 900 ppm per homogenous material. Also BFR/CFR/PVC Free
Solder Process Capability	Reflow solder capable to 260°C

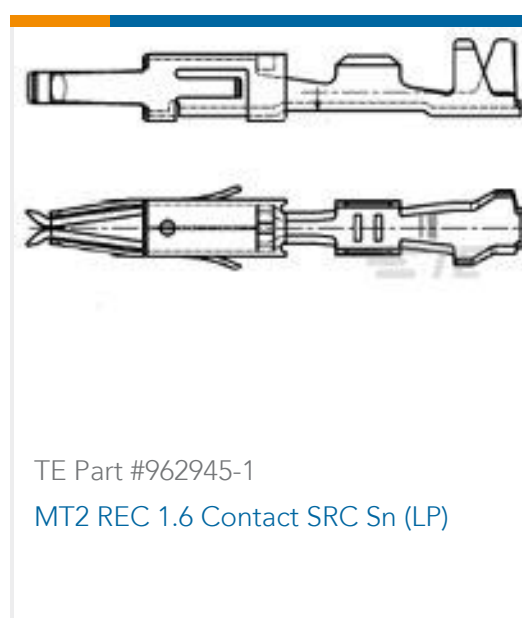
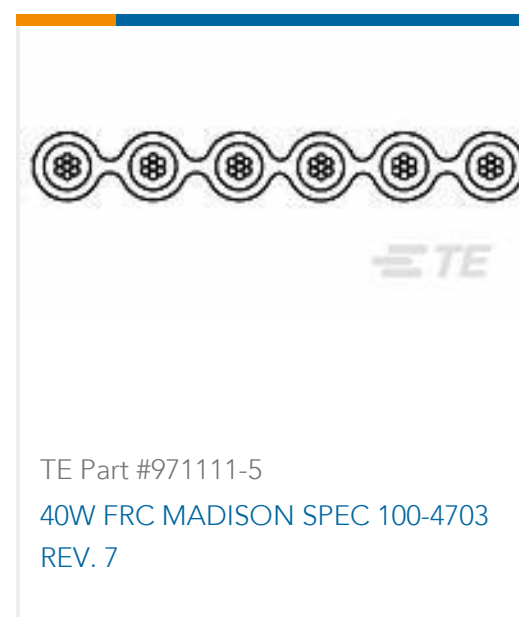
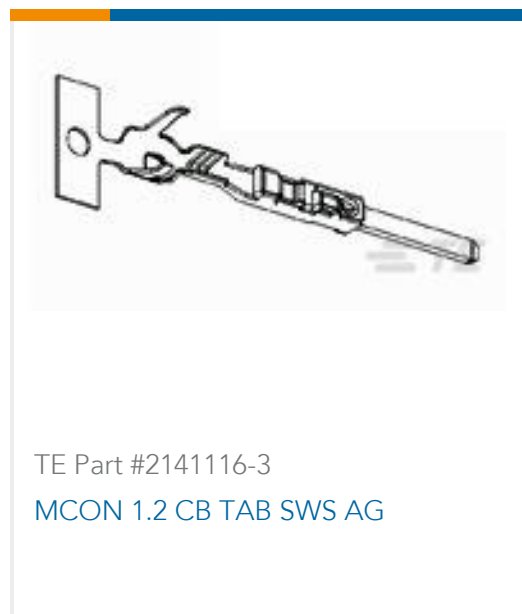
Product Compliance Disclaimer

This information is provided based on reasonable inquiry of our suppliers and represents our current actual knowledge based on the information they provided. This information is subject to change. The part numbers that TE has identified as EU RoHS compliant have a maximum concentration of 0.1% by weight in homogenous materials for lead, hexavalent chromium, mercury, PBB, PBDE, DBP, BBP, DEHP, DIBP, and 0.01% for cadmium, or qualify for an exemption to these limits as defined in the Annexes of Directive 2011/65/EU (RoHS2). Finished electrical and electronic equipment products will be CE marked as required by Directive 2011/65/EU. Components may not be CE marked. Additionally, the part numbers that TE has identified as EU ELV compliant have a maximum concentration of 0.1% by weight in homogenous materials for lead, hexavalent chromium, and mercury, and 0.01% for cadmium, or qualify for an exemption to these limits as defined in the Annexes of Directive 2000/53/EC (ELV). Regarding the REACH Regulation, the information TE provides on SVHC in articles for this part number is based on the latest European Chemicals Agency (ECHA) 'Guidance on requirements for substances in articles' posted at this URL: <https://echa.europa.eu/guidance-documents/guidance-on-reach>

Compatible Parts



Customers Also Bought



Documents

Product Drawings

SHIELD FINGER 3025-Z1-T

English

CAD Files

3D PDF

3D

Customer View Model

ENG_CVM_CVM_1734300-1_B1.2d_dxf.zip



English

Customer View Model

[ENG_CVM_CVM_1734300-1_B1.3d_igs.zip](#)

English

Customer View Model

[ENG_CVM_CVM_1734300-1_B1.3d_stp.zip](#)

English

By downloading the CAD file I accept and agree to the [Terms and Conditions](#) of use.

Datasheets & Catalog Pages

Products for Mobile Equipment

English

Spring Fingers Quick Reference Guide

English

Product Specifications

SHIELD FINGER

English

Product Specification

English

Product Environmental Compliance

MD_1734300-1_02062018923_dmtec

English

MD_1734300-1_02062018923_dmtec

English