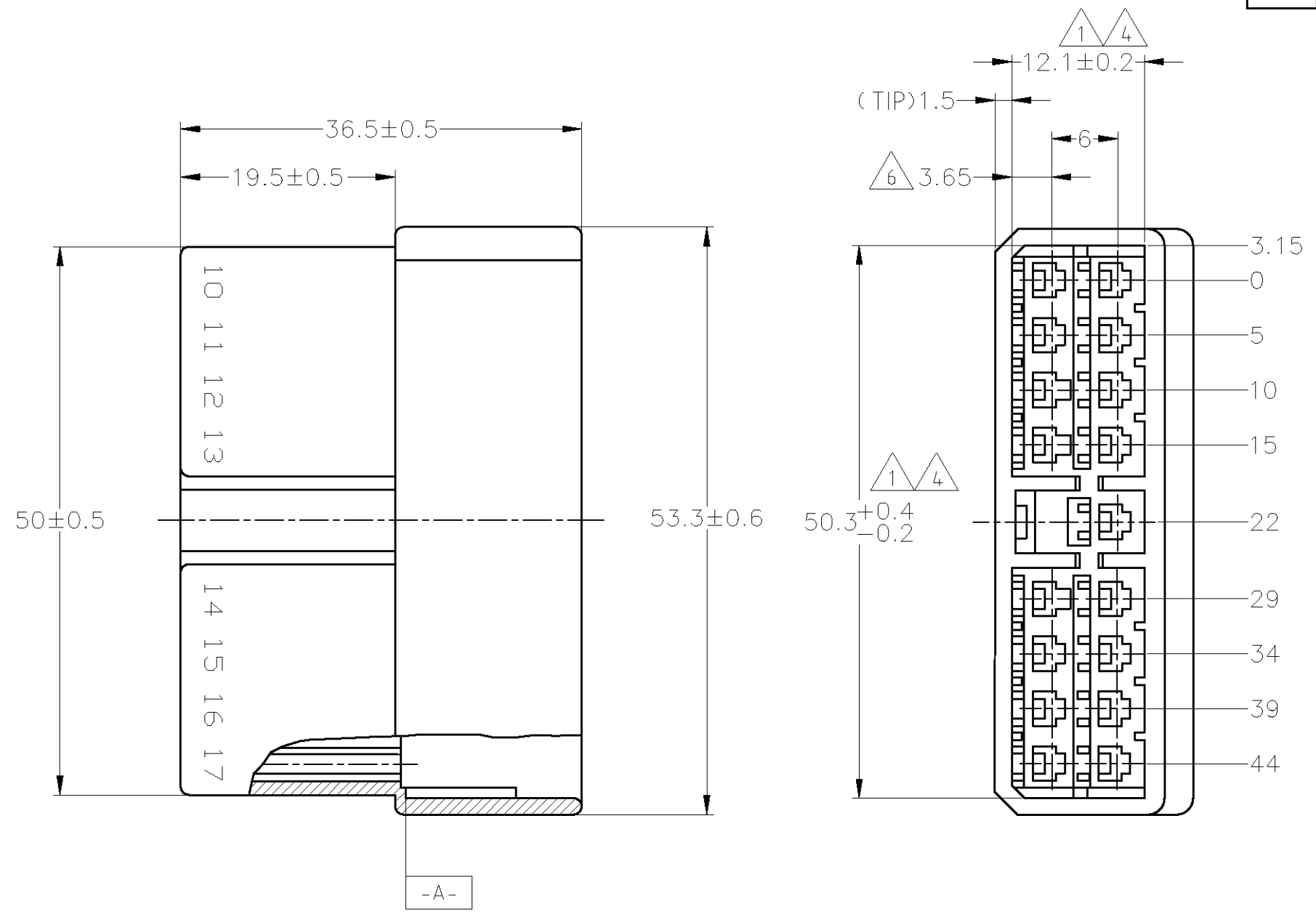
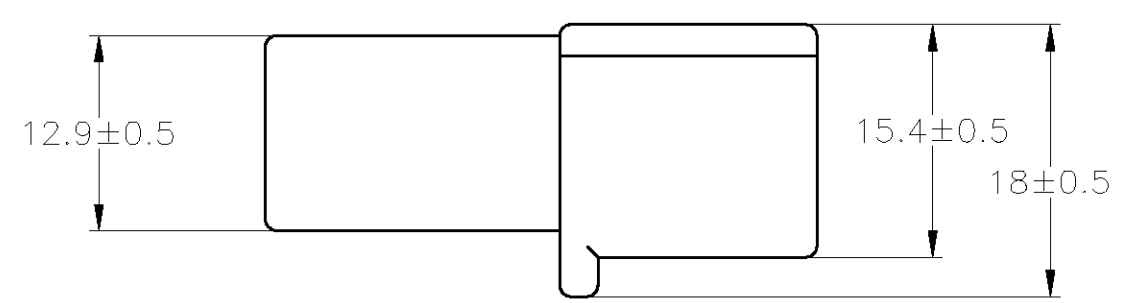


THIS DRAWING IS UNPUBLISHED. RELEASED FOR PUBLICATION
 © COPYRIGHT BY TYCO ELECTRONICS CORPORATION. ALL INTERNATIONAL RIGHTS RESERVED.

LOC	DIST	REVISIONS					
P	LTR	DESCRIPTION	DATE	DWN	APVD		
J	-	C1	REVISED	ECR-10-004036	25FEB10	TS	KB



- ① IN COUPLING WITH THE PLUG HOUSING MATING SATISFIES FUNCTION.
 - 2. APPLIED CONTACT PN 170221, 170222
 - 3. PRODUCT SPECIFICATION NUMBER: 108-5099
 - ④ TO BE MEASURED WITHIN 2mm FROM -A-
 - 5. IN COUPLING WITH THE PLUG HOUSING MATING FORCE 29.4N (3kg) MAX. WITHOUT RECEPTACLE CONTACT.
 - ⑥ CENTERLINE OF CONTACT
- ① 相手ハウジングと所定の機能を満たして嵌合出来ること。
 - 2. 使用コンタクト型番：170221 及び 170222, その他
 - 3. 製品規格番号：108-5099
 - ④ -A- 面より2mmの範囲で測定。
 - 5. 相手ハウジングとの嵌合力は29.4N (3kg) 以下。但し、コンタクトは含まない。
 - ⑥ コンタクトセンター迄の距離



OBSOLETE	GRAY	171827-6
OBSOLETE	BLUE	171827-5
	GREEN	171827-4
	NATURAL	171827-1
	COLOR	PART NUMBER

GENERAL TOLERANCE

10 ≥	: ±0.2
30 ≥ > 10	: ±0.25
100 ≥ > 30	: ±0.3
ANGLE	: ±3°

THIS DRAWING IS A CONTROLLED DOCUMENT.		DWN T.SHINOHARA 30JUL09	Tyco Electronics Corporation Kawasaki, Japan	
DIMENSIONS: mm		CHK K.BETSUI 30JUL09		
TOLERANCES UNLESS OTHERWISE SPECIFIED:		APVD K.BETSUI 30JUL09	NAME	
0-PLC ±— 1-PLC ±— 2-PLC ±— 3-PLC ±— 4-PLC ±— ANGLES ±—		PRODUCT SPEC SEE NOTE 3	MULTI-INTER LOCK CONNECTOR 17POSITION CAP HOUSING	
MATERIAL 66 NYLON (UL94V-2)		FINISH —	APPLICATION SPEC —	RESTRICTED TO —
		WEIGHT —	SIZE A3	CAGE CODE 00779
		DRAWING NO C-171827		SCALE 2:1
		CUSTOMER DRAWING		SHEET 1 OF 1
				REV C1