

1746972-1 ✓ ACTIVE



GRACE INERTIA 6.2

TE Internal #: 1746972-1

Power Contacts, Contact, 600 VAC, 600 VDC, Pre-Tin, 14 – 12 AWG

Wire Size, 2.08 – 3.31 mm² Wire Size, Wire-to-Wire, Wire & Cable,

GRACE INERTIA 6.2

[View on TE.com >](#)

Connectors > Power Connectors > Power Contacts > GRACE INERTIA Receptacle



Power Contact Type: **Contact**

Operating Voltage: **600 VDC**

Contact Mating Area Plating Material: **Pre-Tin**

Wire Size: **14 – 12 AWG**

[All GRACE INERTIA Receptacle \(5\)](#)

Features

Product Type Features

Power Contact Type	Contact
Connector System	Wire-to-Wire
Connector & Contact Terminates To	Wire & Cable

Electrical Characteristics

Operating Voltage	600 VDC
Insulation Resistance	1000

Contact Features

Contact Mating Area Plating Material	Pre-Tin
Contact Current Rating (Max)	20 A
Contact Type	Receptacle
Contact Retention Within Housing	With
Mating Tab Width	3.1 mm[.122 in]
Mating Tab Thickness	.8 mm[.3 in]



Contact Base Material	Copper Alloy
Wire Contact Termination Area Plating Thickness	.8 μm[31.49 μin]
Wire Contact Termination Area Plating Material	Pre-Tin
Wire Contact Termination Area Plating Material Finish	Bright
Contact Orientation	Straight

Termination Features

Termination Method to Wire & Cable	Crimp
------------------------------------	-------

Mechanical Attachment

Contact Retention Type Within Housing	Locking Lance
Connector Mounting Type	Cable Mount (Free-Hanging)
Wire Insulation Support	Without

Dimensions

Wire Size	2.08 – 3.31 mm ²
Accepts Wire Insulation Diameter Range	2.9 – 4.1 mm[.114 – .161 in]

Usage Conditions

Operating Temperature Range	-40 – 105 °C[-40 – 221 °F]
-----------------------------	----------------------------

Operation/Application

Circuit Application	Power
---------------------	-------

Industry Standards

Glow Wire Rating	Standard Part - Not Glow Wire
------------------	-------------------------------

Packaging Features

Packaging Method	Reel
Packaging Quantity	2000

Other

Wire/Cable Type	Discrete Wire
Wire Type	Stranded
For Use With	Tab Contact
Comment	High current

Product Compliance

For compliance documentation, visit the product page on TE.com>

EU RoHS Directive 2011/65/EU	Compliant
------------------------------	-----------

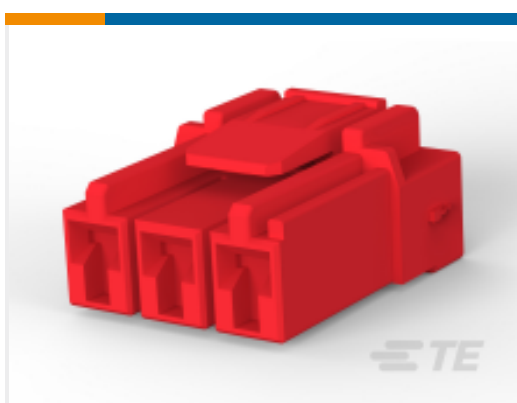


EU ELV Directive 2000/53/EC	Compliant
China RoHS 2 Directive MIIT Order No 32, 2016	No Restricted Materials Above Threshold
EU REACH Regulation (EC) No. 1907/2006	Current ECHA Candidate List: JUNE 2022 (224) Candidate List Declared Against: JAN 2022 (223) SVHC > Threshold: Not Yet Reviewed
Halogen Content	Low Halogen - Br, Cl, F, I < 900 ppm per homogenous material. Also BFR/CFR/PVC Free
Solder Process Capability	Not applicable for solder process capability

Product Compliance Disclaimer

This information is provided based on reasonable inquiry of our suppliers and represents our current actual knowledge based on the information they provided. This information is subject to change. The part numbers that TE has identified as EU RoHS compliant have a maximum concentration of 0.1% by weight in homogenous materials for lead, hexavalent chromium, mercury, PBB, PBDE, DBP, BBP, DEHP, DIBP, and 0.01% for cadmium, or qualify for an exemption to these limits as defined in the Annexes of Directive 2011/65/EU (RoHS2). Finished electrical and electronic equipment products will be CE marked as required by Directive 2011/65/EU. Components may not be CE marked. Additionally, the part numbers that TE has identified as EU ELV compliant have a maximum concentration of 0.1% by weight in homogenous materials for lead, hexavalent chromium, and mercury, and 0.01% for cadmium, or qualify for an exemption to these limits as defined in the Annexes of Directive 2000/53/EC (ELV). Regarding the REACH Regulation, the information TE provides on SVHC in articles for this part number is based on the latest European Chemicals Agency (ECHA) 'Guidance on requirements for substances in articles' posted at this URL: <https://echa.europa.eu/guidance-documents/guidance-on-reach>

Compatible Parts



TE Part # 1747995-2
GHC EYELET 6.2 3POS PLUG HOUSING RED



TE Part # 2305570-1
TERMINAL CUTTER, SIDE FEED



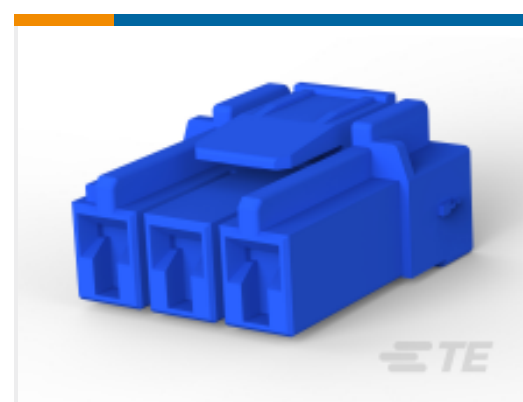
TE Part # CAT-G7534-P729
STD Temp GRACE INERTIA Plug



TE Part # 1746978-1
GRACE INERTIA 6.2mm PITCH CAP 3POS



TE Part # CAT-G7534-P729A
Glow Wire GRACE INERTIA Plug



TE Part # 1747995-3
GHC EYELET 6.2 3POS PLUG HOUSING BLUE



TE Part # 1747995-1
GHC EYELET 6.2 3POS PLUG HOUSING NATURAL



TE Part # 1729674-1
SAHT GIC 6.2MM PITCH 14-12 ASSY




TE Part # 1747995-4
GHC EYELET 6.2 3POS PLUG HOUSING YELLOW



TE Part # 2-2836047-1
OCEAN_2.0_Applicator-S-120F190F



TE Part # 2-2836047-2
OCEAN_2.0_Applicator-S-120F190FA



TE Part # 2836047-1
OCEAN_2.0_Applicator-S-120F190F



TE Part # 2836047-2
OCEAN_2.0_Applicator-S-120F190FA



TE Part # 4-1871867-1
GRACE INERTIA 6.2mm PITCH PLUG 3POS



TE Part # 7-2836047-1
OCEAN_2.0_Applicator-S-120F190F



TE Part # 7-2836047-2
OCEAN_2.0_Applicator-S-120F190FA




KIT
REPRESENTATION ONLY

TE Part # 7-2836047-7
OCEAN_2.0_SPARE_PART_KIT-120F190F




TE Part # 4-1903414-2
GHC 9.0 3POS PLUG HSG BLACK

Also in the Series | **GRACE INERTIA 6.2**



Power Contacts(4)



Rectangular Connector Locking(1)



Rectangular Power Connectors(13)

Customers Also Bought



TE Part #316090-1
2.5 SIGNAL D/LOCK CAP HSG 6P



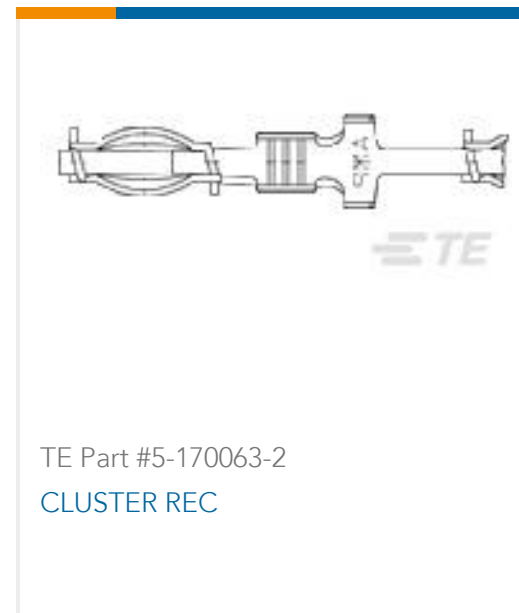
TE Part #917692-1
STD Temp Signal Double Lock Plug



TE Part #917704-1
2.5 SIGNAL DBL LOCK D.L.P. 8P



TE Part #2232563-1
GHC 9.0MM 3POS TPA



Documents

Product Drawings

GRACE INERTIA CONNECTOR 6.2MM PITCH REC

English

CAD Files

Customer View Model

[ENG_CVM_CVM_1746972-1_C.2d_dxf.zip](#)

English

3D PDF

3D

Customer View Model

[ENG_CVM_CVM_1746972-1_C.3d_igs.zip](#)

English

Customer View Model

[ENG_CVM_CVM_1746972-1_C.3d_stp.zip](#)

English

By downloading the CAD file I accept and agree to the [Terms and Conditions](#) of use.

Datasheets & Catalog Pages

1-1773883-5 GRACE INERTIA connector quick reference guide

English

Product Specifications

Application Specification

English

Product Environmental Compliance

[MD_1746972-1_09182015320_dmtec](#)

English

[MD_1746972-1_09182015320_dmtec](#)

English

TE Material Declaration

English

Instruction Sheets

Extraction Tool For Grace Inertia Connector

1746972-1

Power Contacts, Contact, 600 VAC, 600 VDC, Pre-Tin, 14 – 12 AWG Wire Size, 2.08 – 3.31 mm² Wire Size, Wire-to-Wire, Wire & Cable, GRACE INERTIA 6.2



Japanese

[Instruction Sheet \(non U.S.\)](#)

Japanese