

1717676-2 ✓ ACTIVE

AMP | AMPSEAL 16

TE Internal #: 1717676-2

Housing for Male Terminals, Wire-to-Wire, 8 Position, .177 in [4.5 mm] Centerline, Sealable, Gray, Cable Mount (Free-Hanging), AMPSEAL 16

[View on TE.com >](#)



Connectors > Automotive Connectors > Connector Housings > AMPSEAL 16 HOUSINGS



Connector & Housing Type: **Housing for Male Terminals**

Mating Pin Diameter: **1.5 mm [.059 in]**

Connector System: **Wire-to-Wire**

Number of Positions: **8**

Centerline (Pitch): **4.5 mm [.177 in]**

[All AMPSEAL 16 HOUSINGS \(226\)](#)

Features

Product Type Features

| | |
|---------------------------|----------------------------|
| Connector & Housing Shape | Rectangular |
| Connector & Housing Type | Housing for Male Terminals |
| Connector System | Wire-to-Wire |
| Sealable | Yes |
| Hybrid Connector | No |
| Primary Locking Feature | Integrated in Housing |

Configuration Features

| | |
|---------------------|---|
| Number of Positions | 8 |
| Number of Rows | 2 |

Electrical Characteristics

| | |
|------------------------------|--|
| Operating Voltage | 250 VDC |
| Nominal Voltage Architecture | 12 V, 24 V, 42 V, 48 V, 80 V, 90 V, 125 V, 240 V |



Body Features

| | |
|-----------------------|------|
| Cable Exit Angle | 180° |
| Body Material | PBT |
| Primary Product Color | Gray |
| Connector Code | B |

Contact Features

| | |
|------------------------------|-----------------|
| Contact Size | Size 16 |
| Contact Type | Pin |
| Mating Pin Diameter | 1.5 mm[.059 in] |
| Contact Current Rating (Max) | 13 A |

Mechanical Attachment

| | |
|-----------------------------|----------------------------|
| Mounting Feature | Without |
| Terminal Position Assurance | Yes |
| Strain Relief | Without |
| Mating Alignment Type | Keyed |
| Mating Alignment | With |
| Connector Mounting Type | Cable Mount (Free-Hanging) |

Housing Features

| | |
|--------------------|-----------------|
| Centerline (Pitch) | 4.5 mm[.177 in] |
|--------------------|-----------------|

Dimensions

| | |
|--------------------|--------------------|
| Product Width | 47.55 mm[1.872 in] |
| Product Length | 28.6 mm[1.126 in] |
| Product Height | 26.8 mm[1.055 in] |
| Row-to-Row Spacing | 5.3 mm[.209 in] |

Usage Conditions

| | |
|-----------------------------|---|
| Operating Temperature (Max) | 70 °C, 75 °C, 80 °C, 85 °C, 90 °C, 100 °C, 105 °C, 110 °C, 120 °C, 125 °C[158 °F][167 °F][176 °F][185 °F][194 °F][212 °F][221 °F][230 °F][248 °F][257 °F] |
| Operating Temperature Range | -40 – 125 °C[-40 – 257 °F] |

Industry Standards

| | |
|------------------------|---------|
| Degree of Protection | IP67 |
| UL Flammability Rating | UL 94HB |



Packaging Features

| | |
|--------------------|-----|
| Packaging Quantity | 50 |
| Packaging Method | Bag |

Other

| | |
|--------------------------------------|-----|
| Connector Position Assurance Capable | Yes |
|--------------------------------------|-----|

Product Compliance

[For compliance documentation, visit the product page on TE.com>](#)

| | |
|---|--|
| EU RoHS Directive 2011/65/EU | Compliant |
| EU ELV Directive 2000/53/EC | Compliant |
| China RoHS 2 Directive MIIT Order No 32, 2016 | No Restricted Materials Above Threshold |
| EU REACH Regulation (EC) No. 1907/2006 | Current ECHA Candidate List: JUNE 2022 (224) Candidate List Declared Against: JUL 2021 (219) SVHC > Threshold: Not Yet Reviewed |
| Halogen Content | Low Halogen - Br, Cl, F, I < 900 ppm per homogenous material. Also BFR/CFR/PVC Free |
| Solder Process Capability | Not applicable for solder process capability |

Product Compliance Disclaimer

This information is provided based on reasonable inquiry of our suppliers and represents our current actual knowledge based on the information they provided. This information is subject to change. The part numbers that TE has identified as EU RoHS compliant have a maximum concentration of 0.1% by weight in homogenous materials for lead, hexavalent chromium, mercury, PBB, PBDE, DBP, BBP, DEHP, DIBP, and 0.01% for cadmium, or qualify for an exemption to these limits as defined in the Annexes of Directive 2011/65/EU (RoHS2). Finished electrical and electronic equipment products will be CE marked as required by Directive 2011/65/EU. Components may not be CE marked. Additionally, the part numbers that TE has identified as EU ELV compliant have a maximum concentration of 0.1% by weight in homogenous materials for lead, hexavalent chromium, and mercury, and 0.01% for cadmium, or qualify for an exemption to these limits as defined in the Annexes of Directive 2000/53/EC (ELV). Regarding the REACH Regulation, the information TE provides on SVHC in articles for this part number is based on the latest European Chemicals Agency (ECHA) 'Guidance on requirements for substances in articles' posted at this URL: <https://echa.europa.eu/guidance-documents/guidance-on-reach>

Compatible Parts



TE Part # CAT-AM7801-T273
Contacts: Size 16, 13A



TE Part # CAT-AM7801-T618
AMPSEAL 16 REMOVAL TOOLS



TE Part # 776494-2
AS 16, 8P PLUG ASSY, KEY 2



TE Part # CAT-AM7801-M8649
AMPSEAL 16 Connectors Mounting Clips



TE Part # 776363-1
SEALING PLUG, SZ 16 CAVITY



TE Part # CAT-AM7801-B128
AMPSEAL 16 Connectors Backshell

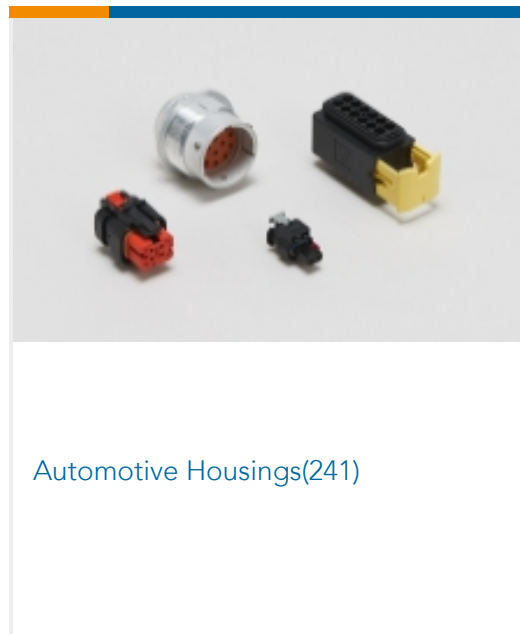
Also in the Series | AMPSEAL 16



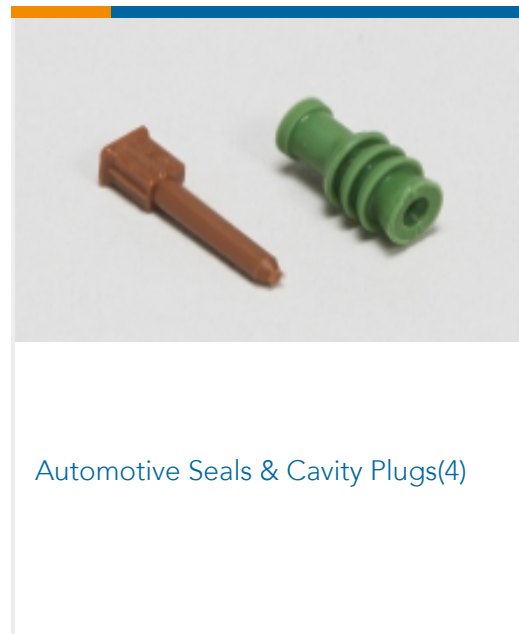
Automotive Connector Caps & Covers (85)



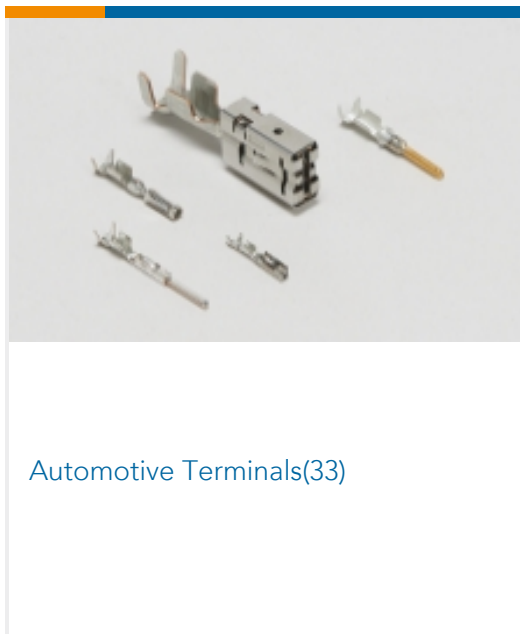
Automotive Connector Locks & Position Assurance(2)



Automotive Housings(241)



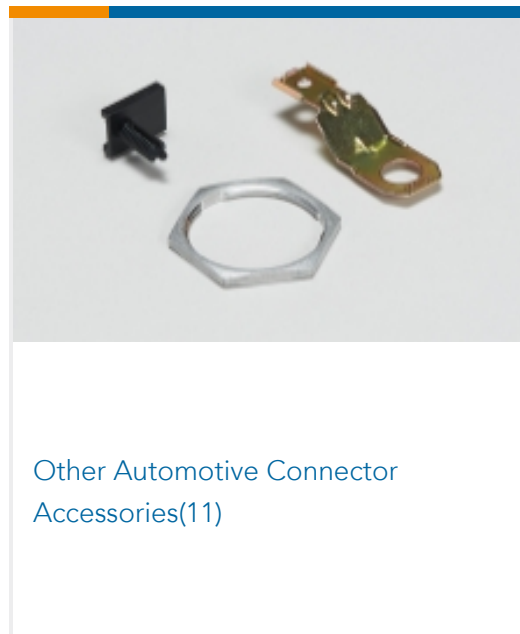
Automotive Seals & Cavity Plugs(4)



Automotive Terminals(33)



Data Connectivity Housings(3)



Other Automotive Connector Accessories(11)



PCB Headers & Receptacles(3)

Customers Also Bought



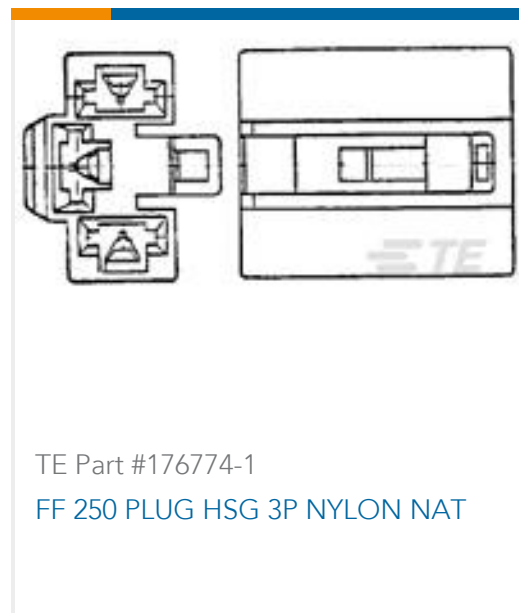
TE Part #1717677-2
AMPSEAL 16 HOUSINGS



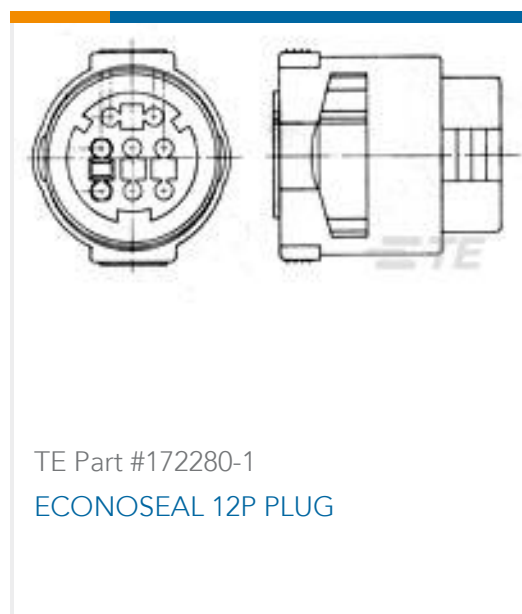
TE Part #170467-1
187 FASTON,REC.,18-14 AWG,TPPB



TE Part #663099J001
V2-22.0-0-FSP-SM



TE Part #176774-1
FF 250 PLUG HSG 3P NYLON NAT



Documents

Product Drawings

[CAP ASSY,8P,BRACKET REVERSE TYPE,ATAC CO](#)

English

CAD Files

[3D PDF](#)

3D

[Customer View Model](#)

[ENG_CVM_CVM_1717676-2_E.2d_dxf.zip](#)

English

[Customer View Model](#)

[ENG_CVM_CVM_1717676-2_E.3d_igs.zip](#)

English

[Customer View Model](#)

[ENG_CVM_CVM_1717676-2_E.3d_stp.zip](#)

English

By downloading the CAD file I accept and agree to the [Terms and Conditions](#) of use.

Datasheets & Catalog Pages

[ICT Terminals and Connectors Catalogue](#)

English

[CONNECTOR SELECTOR](#)

English

Product Specifications

[Application Specification](#)

English