

4

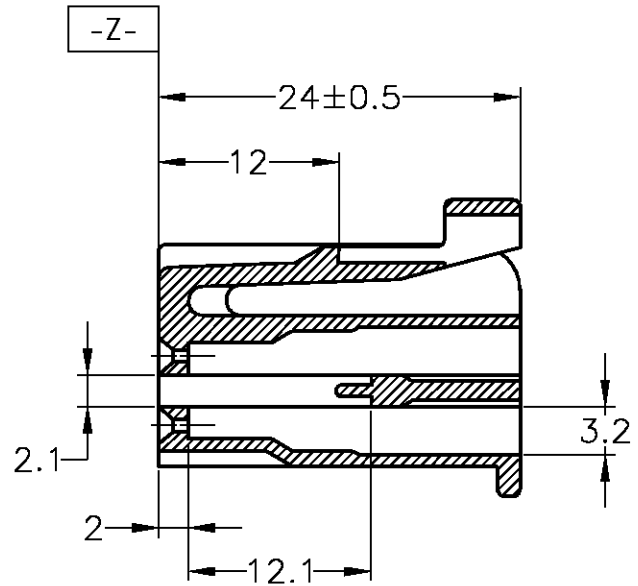
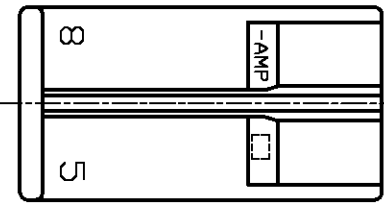
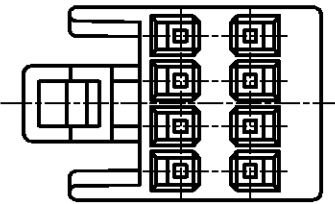
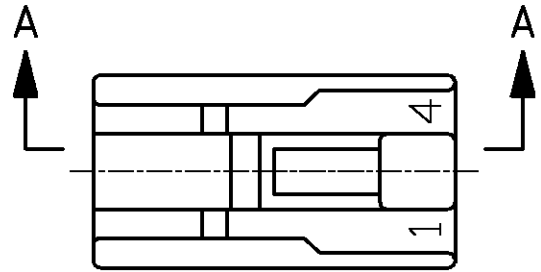
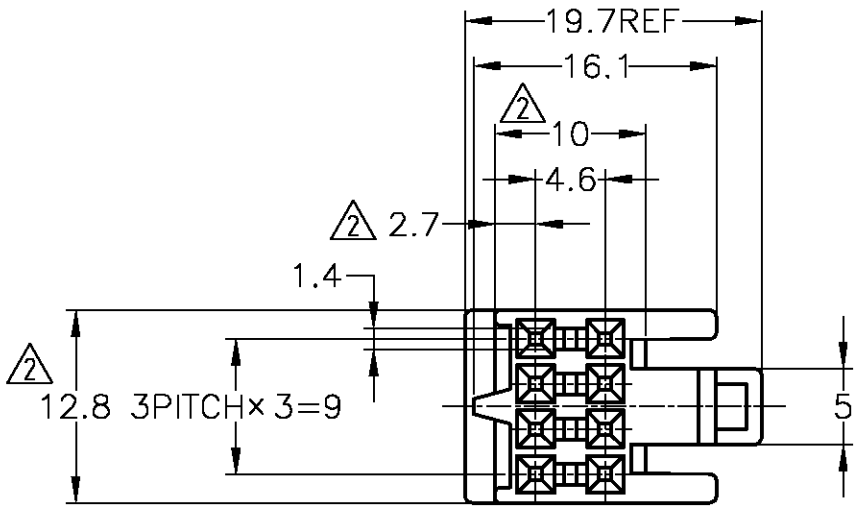
3

2

1

THIS DRAWING IS UNPUBLISHED. RELEASED FOR PUBLICATION  
 © COPYRIGHT BY TYCO ELECTRONICS CORPORATION. ALL RIGHTS RESERVED.

LOC	DIST	REVISIONS					
		P	LTR	DESCRIPTION	DATE	DWN	APVD
J	-	01		REDRAWN W/O CHANGE	28JUN07	TS	KB



- 1. MATING CAP HOUSING PART NUMBER : 172241, 172243
  - 2. MUST BE KEPT BETWEEN [-Z-] AND 2mm
  - 3. APPLICABLE PRODUCT SPECIFICATION NUMBER : 108-5124
- 1. 嵌合相手型番 : 172241, 172243
  - 2. [-Z-] 面より 2mm の範囲で測定
  - 3. 適用製品規格番号 : 108-5124

BLACK	172246-2
COLOR	PART NUMBER
色	型番

TOLERANCE UNLESS OTHERWISE SPECIFIED: 一般公差

0 < x ≤ 10	: ±0.2
10 < x ≤ 30	: ±0.25
30 < x ≤ 100	: ±0.3
ANGLE ; 角度	: ±3°

THIS DRAWING IS A CONTROLLED DOCUMENT.		DWN T.SHINOHARA 28JUN07	Tyco Electronics Corporation Kawasaki, Japan													
DIMENSIONS: 単位: 耗 mm	TOLERANCES UNLESS OTHERWISE SPECIFIED: 一般公差	CHK K.BETSUI 28JUN07	NAME 名称													
	<table border="1"> <tr><td>0 PLC</td><td>±-</td></tr> <tr><td>1 PLC</td><td>±-</td></tr> <tr><td>2 PLC</td><td>±-</td></tr> <tr><td>3 PLC</td><td>±-</td></tr> <tr><td>4 PLC</td><td>±-</td></tr> <tr><td>ANGLES</td><td>±-</td></tr> </table>	0 PLC	±-	1 PLC	±-	2 PLC	±-	3 PLC	±-	4 PLC	±-	ANGLES	±-	APVD K.BETSUI 28JUN07	DUAL LINE INTERLOCK CONNECTOR 8 POSITION PLUG HOUSING	
		0 PLC	±-													
1 PLC	±-															
2 PLC	±-															
3 PLC	±-															
4 PLC	±-															
ANGLES	±-															
MATERIAL 材料 66 NYLON 66 ナイロン	FINISH 仕上 -	PRODUCT SPEC 製品規格 SEE NOTE 3	APPLICATION SPEC 取付適用規格 412-5231	RESTRICTED TO -												
CUSTOMER DRAWING		WEIGHT -	SIZE A3	CAGE CODE 00779												
		DRAWING NO 番号 172246		SCALE 尺度 2:1												
		SHEET 1 OF 1		REV 01												