



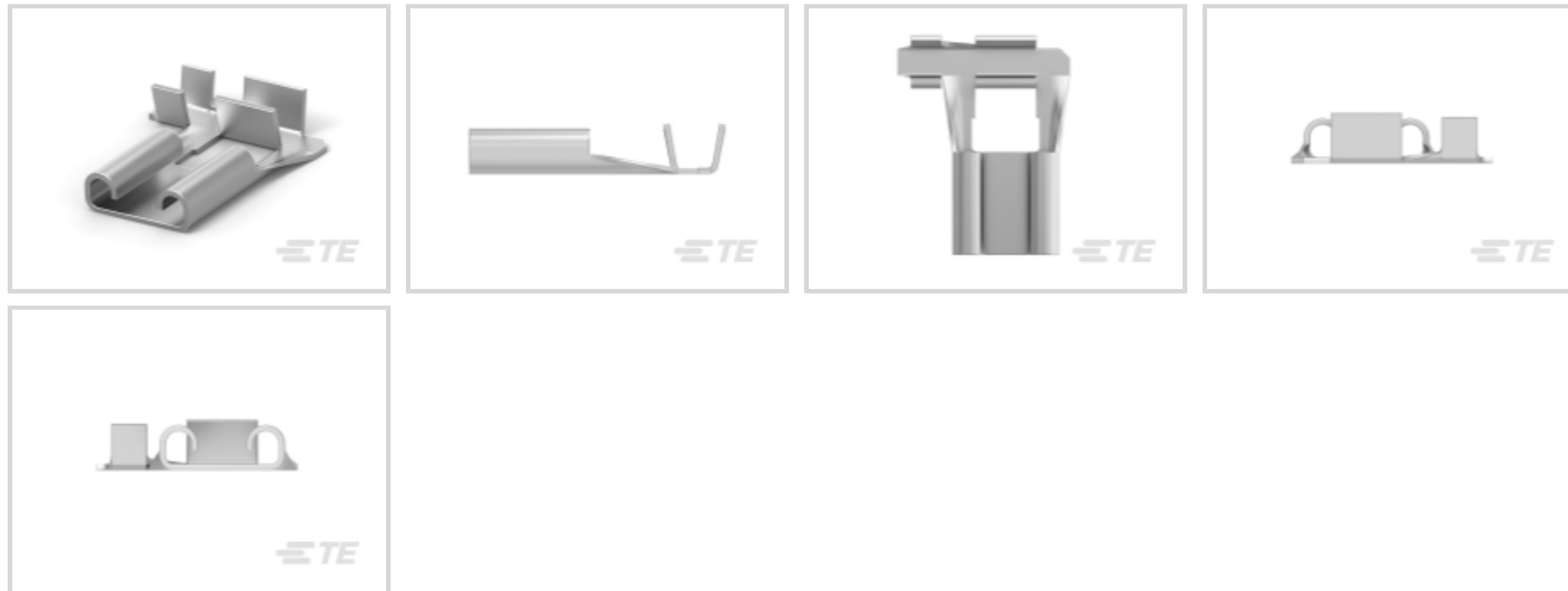
AMPLIVAR

TE Internal #: 1742977-1

Quick Disconnects, Receptacle, 17 – 15 AWG Wire Size, 1.03 – 1.65 mm² Wire Size, 1500 – 4220 CMA Wire Size, AMPLIVAR

[View on TE.com >](#)

Terminals & Splices > Quick Disconnects



Quick Disconnect Terminal Type: **Receptacle**

Wire Size: **1500 – 4220 CMA**

Mating Tab Width: **8.12 mm [.32 in]**

Features

Product Type Features

Wire Stop	No
Wire/Cable Type	Magnet Wire
Insertion Force	High

Configuration Features

Connection Capacity	Single
---------------------	--------

Electrical Characteristics

Voltage (Max)	240 V
---------------	-------

Contact Features

Quick Disconnect Terminal Type	Receptacle
Mating Tab Width	8.12 mm [.32 in]
Terminal Orientation	Flag
Contact Base Material	Brass
Terminal Plating Material	Tin
Crimp Type	F-Crimp
Barrel Type	Open

Mechanical Attachment



Mating Retention Type	Dimple
-----------------------	--------

Wire Insulation Support	With
-------------------------	------

Dimensions

Accepts Wire Insulation Diameter Range	1.91 – 3.3 mm [.075 – .13 in]
--	-------------------------------

Overall Length	14.48 mm [.57 in]
----------------	-------------------

Receptacle Terminal Stock Thickness	.4 mm [.016 in]
-------------------------------------	-----------------

Wire Size	1500 – 4220 CMA
-----------	-----------------

Usage Conditions

Insulation Option	Uninsulated
-------------------	-------------

Operating Temperature Range	-40 – 105 °C [-40 – 221 °F]
-----------------------------	-----------------------------

Packaging Features

Packaging Quantity	15000
--------------------	-------

Packaging Method	Reel
------------------	------

Product Compliance

[For compliance documentation, visit the product page on TE.com>](#)

EU RoHS Directive 2011/65/EU	Compliant
------------------------------	-----------

EU ELV Directive 2000/53/EC	Compliant
-----------------------------	-----------

China RoHS 2 Directive MIIT Order No 32, 2016	No Restricted Materials Above Threshold
---	---

EU REACH Regulation (EC) No. 1907/2006	Current ECHA Candidate List: JUNE 2022 (224) Candidate List Declared Against: JAN 2022 (223) SVHC > Threshold: Not Yet Reviewed
--	--

Halogen Content	Low Halogen - Br, Cl, F, I < 900 ppm per homogenous material. Also BFR/CFR/PVC Free
-----------------	---

Solder Process Capability	Not reviewed for solder process capability
---------------------------	--

Product Compliance Disclaimer

This information is provided based on reasonable inquiry of our suppliers and represents our current actual knowledge based on the information they provided. This information is subject to change. The part numbers that TE has identified as EU RoHS compliant have a maximum concentration of 0.1% by weight in homogenous materials for lead, hexavalent chromium, mercury, PBB, PBDE, DBP, BBP, DEHP, DIBP, and 0.01% for cadmium, or qualify for an exemption to these limits as defined in the Annexes of Directive 2011/65/EU (RoHS2). Finished electrical and electronic equipment products will be CE marked as required by Directive 2011/65/EU. Components may not be CE marked. Additionally, the part numbers that TE has identified as EU ELV compliant have a maximum concentration of 0.1% by weight in homogenous materials for lead, hexavalent chromium, and mercury, and 0.01% for cadmium, or qualify for an exemption to these limits as defined in the Annexes of Directive 2000/53/EC (ELV). Regarding the REACH Regulation, the information TE provides

on SVHC in articles for this part number is based on the latest European Chemicals Agency (ECHA) 'Guidance on requirements for substances in articles' posted at this URL: <https://echa.europa.eu/guidance-documents/guidance-on-reach>

Compatible Parts

TE Part # 1217955-1
.187 FAST FL AMVAR 0157 TPBR

TE Part # 969116-2
AMPLIVAR SOCKET 6,3 SPECIAL

TE Part # 1-969049-1
AMPLIVAR STATOR BUCHS

TE Part # 1217624-1
.187 FAST FL AMVR 0157 TPBR

TE Part # 2-2150448-1
OCEAN_2.0_Applicator-E-120F120OV

TE Part # 2-2150448-2
OCEAN_2.0_Applicator-E-120F120OV

TE Part # 2150448-1
OCEAN_2.0_Applicator-E-120F120OV

TE Part # 2150448-2
OCEAN_2.0_Applicator-E-120F120OV

TE Part # 2232995-1
187 RCPT FAST AMVR 0157TPPB

TE Part # 7-2150448-1
OCEAN_2.0_Applicator-E-120F120OV

TE Part # 7-2150448-2
OCEAN_2.0_Applicator-E-120F120OV

TE Part # 7-2150448-7
OCEAN_2.0_SPARE_PART_KIT-120F120OV

Also in the Series | AMPLIVAR

Crimp Wire Pins, Tabs & Ferrules(5)

Magnet Wire Terminals(5)

PCB Terminals(1)

Quick Disconnects(42)

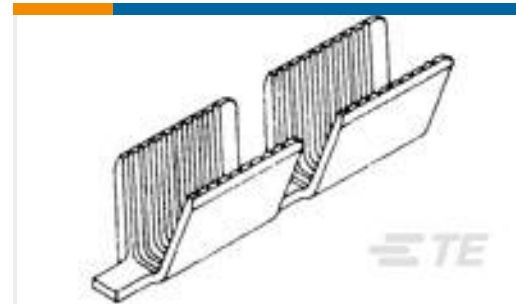
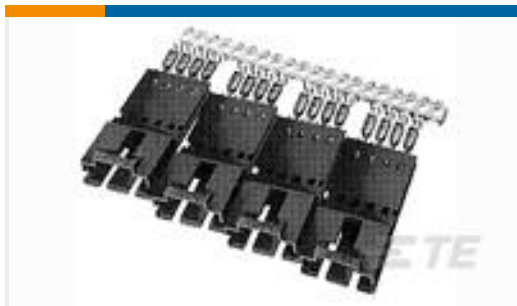


Ring Terminals & Spade Terminals(28)



Splices(78)

Customers Also Bought

TE Part #487526-8
009 HOUSING FFC RCPT 100CL SRTE Part #350784-1
15P UMNL CAP HSGTE Part #62308-2
AMVAR SPLC 3000-7000 020TPBRTE Part #1742979-1
250FAST FLG RCPT AMVAR TPBR
CMA4000-8500TE Part #5-103944-7
2X8 MTE SHRD PIN SR POL .100CLTE Part #1742881-1
250 FAST FLG RCPT AMVAR TPBRTE Part #2344577-1
MOTOR, STEPPER

Documents

Product Drawings

[250FAST FLG RCPT AMVAR TPBR CMA1500-4220](#)

English

[250FAST FLG RCPT AMVAR TPBR CMA1500-4220](#)

English

[250FAST FLG RCPT AMVAR TPBR CMA1500-4220](#)

English

CAD Files

[3D PDF](#)

3D

Customer View Model

[ENG_CVM_CVM_1742977-1_A.2d_dxf.zip](#)

English

Customer View Model

[ENG_CVM_CVM_1742977-1_A.3d_igs.zip](#)

English



Customer View Model

[ENG_CVM_CVM_1742977-1_A.3d_stp.zip](#)

English

By downloading the CAD file I accept and agree to the [Terms and Conditions](#) of use.

Product Specifications

[Application Specification](#)

English

Product Environmental Compliance

[Product Compliance](#)

English

[Product Compliance](#)

English