



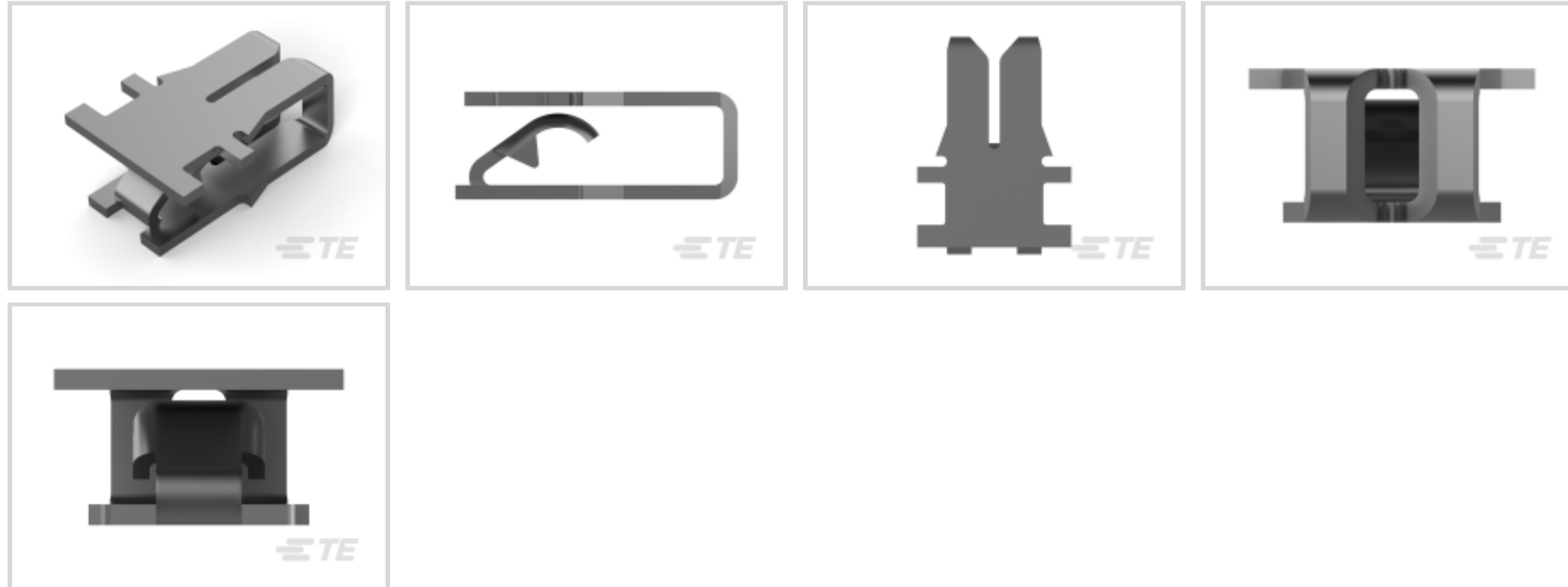
MAG-MATE

TE Internal #: 1742483-1

Magnet Wire Terminals, Poke-In, Size 2, .54 – .64 mm Magnet Wire, 23.5 – 22 AWG Magnet Wire, Insulation Displacement (IDC), Tin Plating, MAG-MATE

[View on TE.com >](#)

Terminals & Splices > Magnet Wire Terminals



Magnet Wire Terminal Type: **Poke-In**

Compatible With Cavity Size: **Size 2**

Magnet Wire Size: **23.5 – 22 AWG**

Termination Method to Wire & Cable: **Insulation Displacement (IDC)**

Features

Product Type Features

Compatible With Discrete Wire Type	Magnet Wire, Solid
Sealable	No

Body Features

Compatible With Cavity Size	Size 2
-----------------------------	--------

Contact Features

Magnet Wire Terminal Type	Poke-In
Terminal Plating Material	Tin
Contact Underplating Material	Nickel
Terminal Orientation	Twisted

Termination Features

Termination Method to Wire & Cable	Insulation Displacement (IDC)
------------------------------------	-------------------------------

Mechanical Attachment

Contact Mating Retention Type	Barbs
-------------------------------	-------

Dimensions



Terminal Height	7.62 mm[.3 in]
Magnet Wire Size	23.5 – 22 AWG
Stock Thickness (Magnet Wire Side)	.41 mm[.016 in]
Overall Product Length	20.6 mm[.811 in]

Usage Conditions

Insulation Option	Uninsulated
Operating Temperature Range	-65 – 150 °C[-85 – 302 °F]

Operation/Application

Compatible With Wire Base Material	Copper
------------------------------------	--------

Packaging Features

Packaging Quantity	1000
Packaging Method	Bag

Other

Comment	Single magnet wire only.
---------	--------------------------

Product Compliance

[For compliance documentation, visit the product page on TE.com>](#)

EU RoHS Directive 2011/65/EU	Compliant
EU ELV Directive 2000/53/EC	Compliant
China RoHS 2 Directive MIIT Order No 32, 2016	No Restricted Materials Above Threshold
EU REACH Regulation (EC) No. 1907/2006	Current ECHA Candidate List: JUNE 2022 (224) Candidate List Declared Against: JAN 2022 (223) SVHC > Threshold: Not Yet Reviewed
Halogen Content	Low Halogen - Br, Cl, F, I < 900 ppm per homogenous material. Also BFR/CFR/PVC Free
Solder Process Capability	Not applicable for solder process capability

Product Compliance Disclaimer




This information is provided based on reasonable inquiry of our suppliers and represents our current actual knowledge based on the information they provided. This information is subject to change. The part numbers that TE has identified as EU RoHS compliant have a maximum concentration of 0.1% by weight in homogenous materials for lead, hexavalent chromium, mercury, PBB, PBDE, DBP, BBP, DEHP, DIBP, and 0.01% for cadmium, or qualify for an exemption to these limits as defined in the Annexes of Directive 2011/65/EU (RoHS2). Finished electrical and electronic equipment products will be CE marked as required by Directive 2011/65/EU. Components may not be CE marked. Additionally, the part numbers that TE has identified as EU ELV compliant have a maximum concentration of 0.1% by weight in homogenous

materials for lead, hexavalent chromium, and mercury, and 0.01% for cadmium, or qualify for an exemption to these limits as defined in the Annexes of Directive 2000/53/EC (ELV). Regarding the REACH Regulation, the information TE provides on SVHC in articles for this part number is based on the latest European Chemicals Agency (ECHA) 'Guidance on requirements for substances in articles' posted at this URL: <https://echa.europa.eu/guidance-documents/guidance-on-reach>

Compatible Parts

 <p>TE Part # 1217688-1 SPECIAL LEAF CONTACT,300 SERIE</p>	 <p>TE Part # 62524-1 MAG-MATE TERM 20-22 016 TPBR</p>	 <p>TE Part # 1217853-1 TERM,SPL,TRI-SLOT,MAG-MATE</p>	 <p>TE Part # 1217358-1 MAG-MATE TERM 23-21 0157 TPNBR</p>
 <p>TE Part # 63885-1 TERM MAG-MATE 27-30 013TPBR</p>	 <p>TE Part # 63044-1 MAG-MATE TERM 27-23 016 TPBR</p>	 <p>TE Part # 1217689-1 SPECIAL LEAF CONTACT,300 SERIE</p>	 <p>TE Part # 1217690-1 SPECIAL LEAF CONTACT,300 SERIE</p>
 <p>TE Part # 1217757-1 TERM,POKE-IN,LP, MAG-MATE</p>	 <p>TE Part # 62841-1 MAG-MATE TERM 20-22 016 TPBR</p>	 <p>TE Part # 62842-1 MAG-MATE TERM 23-26 016 TPBR</p>	 <p>TE Part # 63975-1 MAG-MATE TRI SLOT 016 TPBR</p>

Also in the Series | MAG-MATE

 <p>Insertion & Extraction Tools(8)</p>	 <p>Magnet Wire Terminals(464)</p>	 <p>PCB Terminals(1)</p>
--	---	---

Customers Also Bought



TE Part #2-1623732-9
BCHE 7 W 2R7 10%



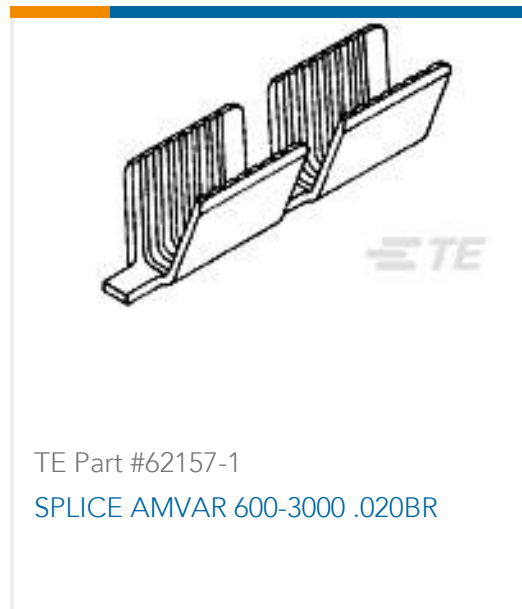
TE Part #104483-4
26 SHORT PT RCPT HSG DR .100CL



TE Part #41456
RING TERMINAL 20-16 AWG TPBR



TE Part #61764-1
RING CRIMP 20-16 AWG BR



TE Part #62157-1
SPLICE AMVAR 600-3000 .020BR



TE Part #1-104482-1
26 SHORT PT RCPT HSG DR .100CL



TE Part #1742941-1
MAG-MATE SLIM LINE POSTED TPBR



TE Part #1-1393763-4
V23100V4024A



TE Part #2-1601121-2
TAB PAIR, 1.50X0.81, FINESMZ



TE Part #2-1601131-2
150-028-014=PIN, 1.00DIAFINESMZ

Documents

Product Drawings

[SPEC LEAF,300 SERIES,MAG-MATE,](#)

English

CAD Files

[3D PDF](#)

3D

Customer View Model

[ENG_CVM_CVM_1742483-1_B.2d_dxf.zip](#)

English

Customer View Model

[ENG_CVM_CVM_1742483-1_B.3d_igs.zip](#)

English

Customer View Model

[ENG_CVM_CVM_1742483-1_B.3d_stp.zip](#)

English

By downloading the CAD file I accept and agree to the [Terms and Conditions](#) of use.

Datasheets & Catalog Pages



Magnet Wire Terminals & Splices

English

Product Specifications

Application Specification

English