



SHUR-PLUG 180

TE Internal #: 170021-1

Crimp Wire Pins, Tabs & Ferrules, Shur-Plug, Pin Diameter 4.7 mm [.185 in], 20 – 16 AWG Wire Size, .5 – 1.3 mm² Wire Size, SHUR-PLUG 180

[View on TE.com >](#)

Terminals & Splices > Crimp Wire Pins, Tabs & Ferrules



Crimp Wire Pin, Tab & Ferrule Terminal Type: **Shur-Plug**

Pin Diameter: **4.7 mm [.185 in]**

Accepts Wire Insulation Diameter Range: **2.2 – 3.1 mm, 3.1 mm [.087 – .122 in, .122 in]**

Wire Size: **.5 – 1.3 mm²**

Features

Product Type Features

Compatible With Discrete Wire Type	Stranded
------------------------------------	----------

Configuration Features

Compatible With Wire & Cable Type	Discrete Wire
-----------------------------------	---------------

Contact Features

Crimp Wire Pin, Tab & Ferrule Terminal Type	Shur-Plug
Barrel Type	Open
Terminal Plating Material	Tin
Terminal Orientation	Straight

Mechanical Attachment

Wire Insulation Support	With
-------------------------	------

Dimensions

Pin Diameter	4.7 mm [.185 in]
Accepts Wire Insulation Diameter Range	2.2 – 3.1 mm, 3.1 mm [.087 – .122 in] [.122 in]
Wire Size	1021 – 2582 CMA



Terminal Material Thickness	32 mm[.012 in]
-----------------------------	----------------

Overall Product Length	17 mm[.669 in]
------------------------	----------------

Usage Conditions

Insulation Option	Uninsulated
-------------------	-------------

Operation/Application

Heavy Duty	No
------------	----

Packaging Features

Packaging Method	Bag
------------------	-----

Product Compliance

[For compliance documentation, visit the product page on TE.com>](#)

EU RoHS Directive 2011/65/EU	Compliant
------------------------------	-----------

EU ELV Directive 2000/53/EC	Compliant
-----------------------------	-----------

China RoHS 2 Directive MIIT Order No 32, 2016	No Restricted Materials Above Threshold
---	---

EU REACH Regulation (EC) No. 1907/2006	Current ECHA Candidate List: JUNE 2022 (224) Candidate List Declared Against: JAN 2022 (223) SVHC > Threshold: Not Yet Reviewed
--	--

Halogen Content	Low Halogen - Br, Cl, F, I < 900 ppm per homogenous material. Also BFR/CFR/PVC Free
-----------------	---

Solder Process Capability	Not applicable for solder process capability
---------------------------	--

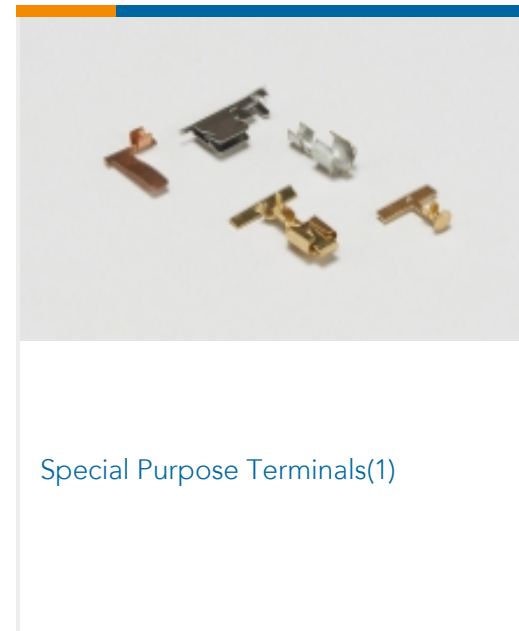
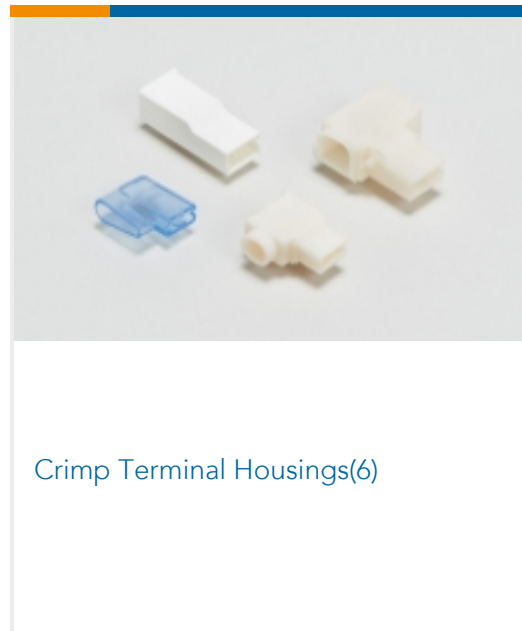
Product Compliance Disclaimer

This information is provided based on reasonable inquiry of our suppliers and represents our current actual knowledge based on the information they provided. This information is subject to change. The part numbers that TE has identified as EU RoHS compliant have a maximum concentration of 0.1% by weight in homogenous materials for lead, hexavalent chromium, mercury, PBB, PBDE, DBP, BBP, DEHP, DIBP, and 0.01% for cadmium, or qualify for an exemption to these limits as defined in the Annexes of Directive 2011/65/EU (RoHS2). Finished electrical and electronic equipment products will be CE marked as required by Directive 2011/65/EU. Components may not be CE marked. Additionally, the part numbers that TE has identified as EU ELV compliant have a maximum concentration of 0.1% by weight in homogenous materials for lead, hexavalent chromium, and mercury, and 0.01% for cadmium, or qualify for an exemption to these limits as defined in the Annexes of Directive 2000/53/EC (ELV). Regarding the REACH Regulation, the information TE provides on SVHC in articles for this part number is based on the latest European Chemicals Agency (ECHA) 'Guidance on requirements for substances in articles' posted at this URL: <https://echa.europa.eu/guidance-documents/guidance-on-reach>

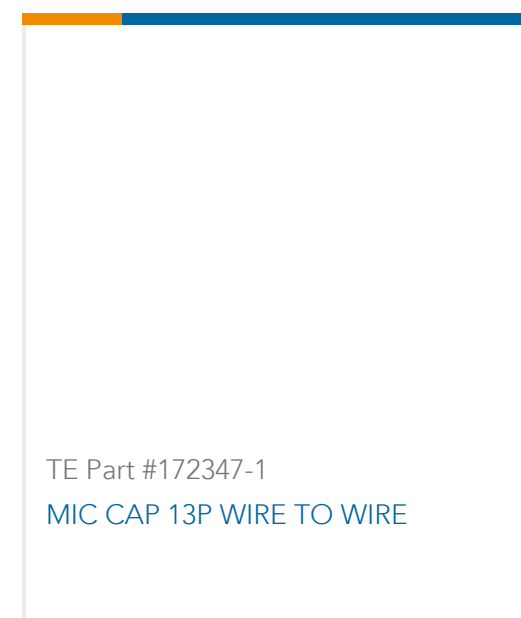
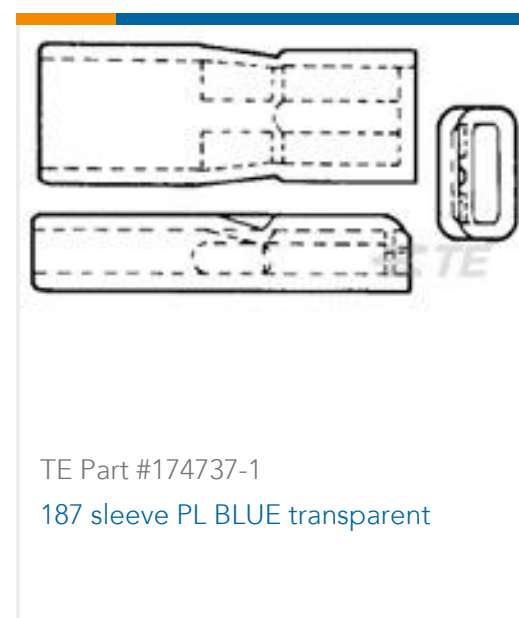
Compatible Parts



Also in the Series | SHUR-PLUG 180



Customers Also Bought



Documents

Product Drawings

[SHUR PLUG RECEPTACLE 20-16 AWG TPBR](#)

Japanese

CAD Files

[Customer View Model](#)

[ENG_CVM_CVM_170021-1_D.2d_dxf.zip](#)



English

[3D PDF](#)

3D

Customer View Model

[ENG_CVM_CVM_170021-1_D.3d_igs.zip](#)

English

Customer View Model

[ENG_CVM_CVM_170021-1_D.3d_stp.zip](#)

English

By downloading the CAD file I accept and agree to the [Terms and Conditions](#) of use.

Product Specifications

[Product Specification](#)

English

[4mm DIA. SHUR & RECEPTACLE](#)

English

[4mm DIA. SHUR & RECEPTACLE](#)

Japanese

[Product Specification](#)

Japanese

Product Environmental Compliance

[Product Compliance](#)

English

[Product Compliance](#)

English