



Terminals & Splices > Quick Disconnects



Quick Disconnect Terminal Type: **Tab**

Wire Size: **2.1 – 3.31 mm²**

Mating Tab Width: **6.35 mm [.25 in]**

Mating Tab Thickness: **.81 mm [.032 in]**

Features

Product Type Features

Terminates To	Wire & Cable
Wire Stop	No
Wire/Cable Type	Regular Wire
Sealable	No

Configuration Features

Connection Capacity	Single
---------------------	--------

Contact Features

Quick Disconnect Terminal Type	Tab
Mating Tab Width	6.35 mm [.25 in]
Mating Tab Thickness	.81 mm [.032 in]
Terminal Orientation	Straight
Contact Base Material	Brass
Terminal Plating Material	Pre-Tin
Crimp Type	F-Crimp
Barrel Type	Open

Mechanical Attachment

Mating Retention Type	Locking Lance
Wire Insulation Support	With

Dimensions

Accepts Wire Insulation Diameter Range	2.9 – 3.8 mm [.114 – .15 in]
Overall Length	26.4 mm [1.039 in]
Receptacle Terminal Stock Thickness	.4 mm [.015 in]
Wire Size	2.1 – 3.31 mm ²

Usage Conditions

Insulation Option	Uninsulated
Operating Temperature Range	-40 – 110 °C [-40 – 230 °F]

Packaging Features

Packaging Quantity	4000
Packaging Method	Strip/Reel

Product Compliance

[For compliance documentation, visit the product page on TE.com>](#)

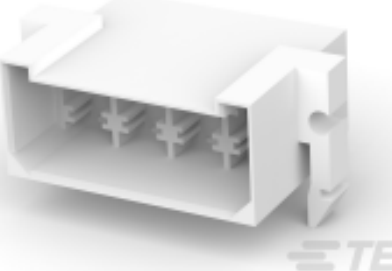

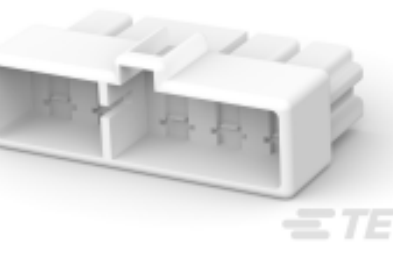
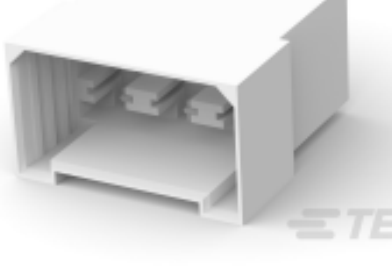
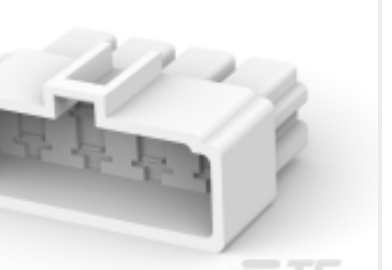
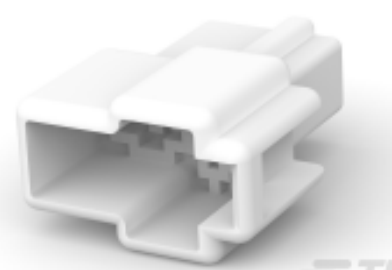
EU RoHS Directive 2011/65/EU	Compliant
EU ELV Directive 2000/53/EC	Compliant
China RoHS 2 Directive MIIT Order No 32, 2016	No Restricted Materials Above Threshold
EU REACH Regulation (EC) No. 1907/2006	Current ECHA Candidate List: JUNE 2022 (224) Candidate List Declared Against: JAN 2022 (223) SVHC > Threshold: Not Yet Reviewed
Halogen Content	Low Halogen - Br, Cl, F, I < 900 ppm per homogenous material. Also BFR/CFR/PVC Free
Solder Process Capability	Not applicable for solder process capability

Product Compliance Disclaimer

This information is provided based on reasonable inquiry of our suppliers and represents our current actual knowledge based on the information they provided. This information is subject to change. The part numbers that TE has identified as EU RoHS compliant have a maximum concentration of 0.1% by weight in homogenous materials for lead, hexavalent chromium, mercury, PBB, PBDE, DBP, BBP, DEHP, DIBP, and 0.01% for cadmium, or qualify for an exemption to these limits as defined in the Annexes of Directive 2011/65/EU (RoHS2). Finished electrical and electronic equipment products will be CE marked as required by Directive 2011/65/EU. Components may not be CE marked. Additionally, the part

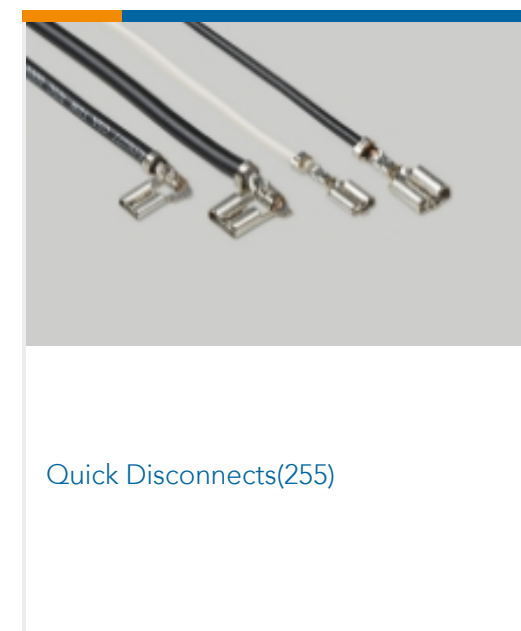
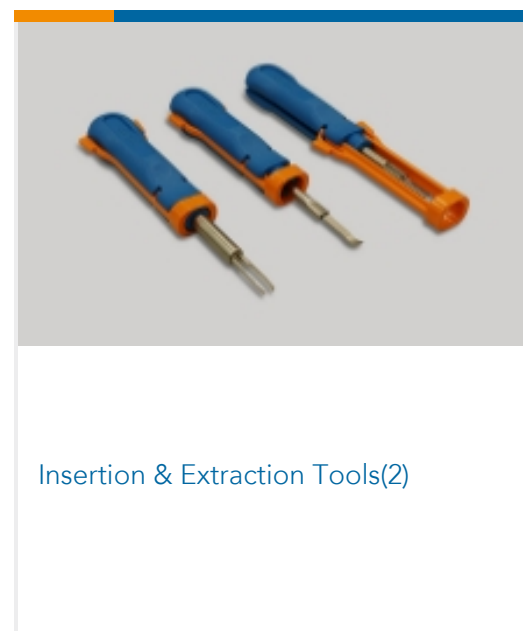
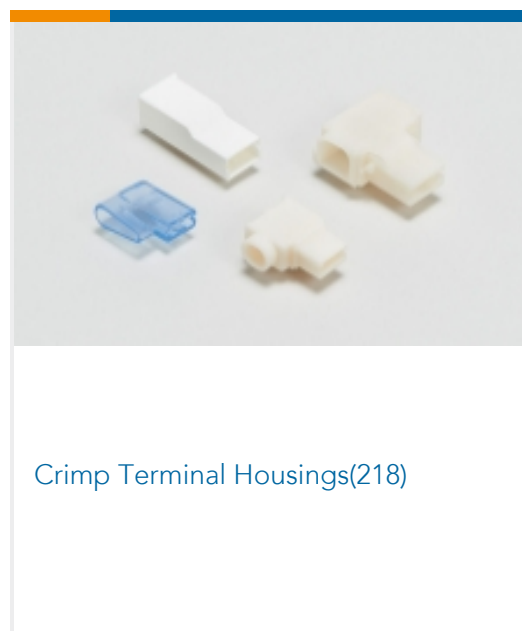
numbers that TE has identified as EU ELV compliant have a maximum concentration of 0.1% by weight in homogenous materials for lead, hexavalent chromium, and mercury, and 0.01% for cadmium, or qualify for an exemption to these limits as defined in the Annexes of Directive 2000/53/EC (ELV). Regarding the REACH Regulation, the information TE provides on SVHC in articles for this part number is based on the latest European Chemicals Agency (ECHA) 'Guidance on requirements for substances in articles' posted at this URL: <https://echa.europa.eu/guidance-documents/guidance-on-reach>

Compatible Parts

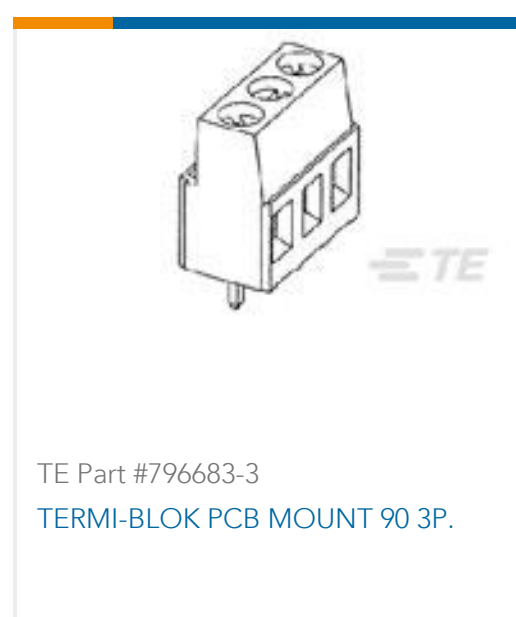
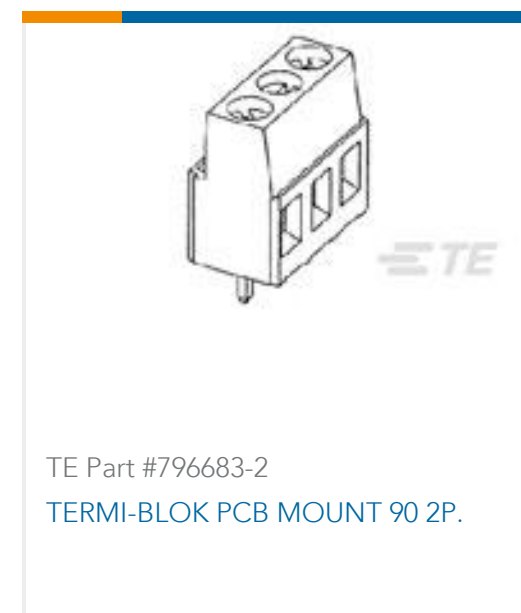
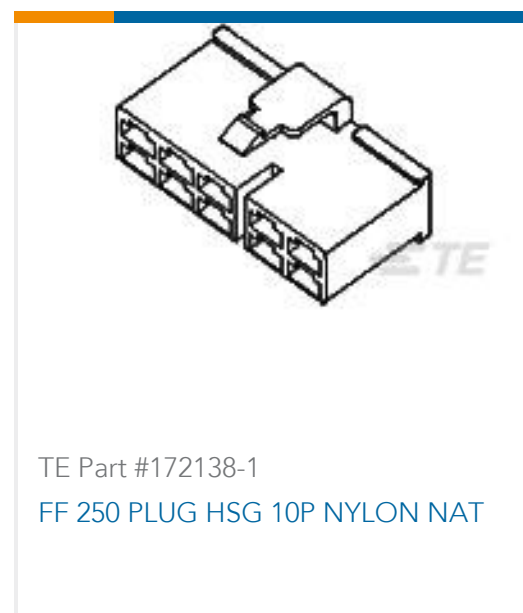
 <p>TE Part # 480004-5 FF 250 TAB HSG 6P NYLON NAT</p>	 <p>TE Part # 163008 FF 250 TAB HSG 8P NYLON CLEAR</p>	 <p>TE Part # 172131-1 FF 250 REC HSG 3P NYLON NAT</p>	 <p>TE Part # 171897-1 FF 250 REC HSG 6P NYLON NAT</p>
 <p>TE Part # 172137-1 FF 250 REC HSG 10P NYLON NAT</p>	 <p>TE Part # 180906 FF 250 TAB HSG 6P NYLON NAT</p>	 <p>TE Part # 178025-1 FF 250 CAP HSG DBL 6P NAT</p>	 <p>TE Part # 180901 FF 250 TAB HSG 4P NYLON NAT</p>
 <p>TE Part # 172133-1 FF 250 REC HSG 4P NYLON NAT</p>	 <p>TE Part # 180940 FF 250 TAB HSG 3P NYLON NAT</p>	 <p>TE Part # 172135-1 FF 250 REC HSG 8P NYLON NAT</p>	 <p>TE Part # 172129-1 FF 250 PLUG HSG 2P NYLON NAT</p>
 <p>TE Part # 180924 FF 250 TAB HSG 2P NYLON NAT</p>	 <p>TE Part # 926097-1 FF 250 TAB HSG 3P NYLON NAT</p>	 <p>TE Part # 180908-5 FF 250 TAB HSG 2P NYLON BLACK</p>	 <p>TE Part # 172383-1 FF 250 REC HSG 2P NYLON NAT P/M</p>



Also in the Series | FASTIN-FASTON 250



Customers Also Bought



Documents

Product Drawings

FF 250 TAB 14-12AWG PTBR WITHOUT LATCH

English

CAD Files

Customer View Model

ENG_CVM_CVM_170341-3_J.2d_dxf.zip



English

[3D PDF](#)

3D

Customer View Model

[ENG_CVM_CVM_170341-3_J.3d_igs.zip](#)

English

Customer View Model

[ENG_CVM_CVM_170341-3_J.3d_stp.zip](#)

English

By downloading the CAD file I accept and agree to the [Terms and Conditions](#) of use.

Product Specifications

[Crimping of 250 Series Tab and Receptacle Contacts](#)

Japanese

[Application Specification](#)

Japanese

[Application Specification](#)

Japanese

[Crimping of 250 Series Tab and Receptacle Contacts](#)

Japanese

Product Environmental Compliance

[MD_170341-3_0110201721_dmtec](#)

English

[MD_170341-3_0110201721_dmtec](#)

English

Instruction Sheets

[Customer Manual \(non U.S.\)](#)

Japanese

["250" Series, Housing Lance Connector](#)

Japanese