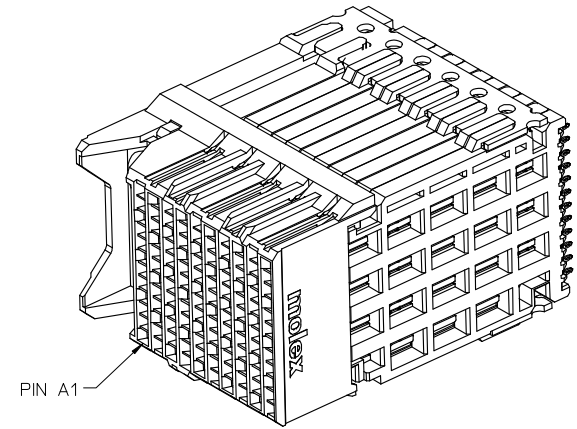
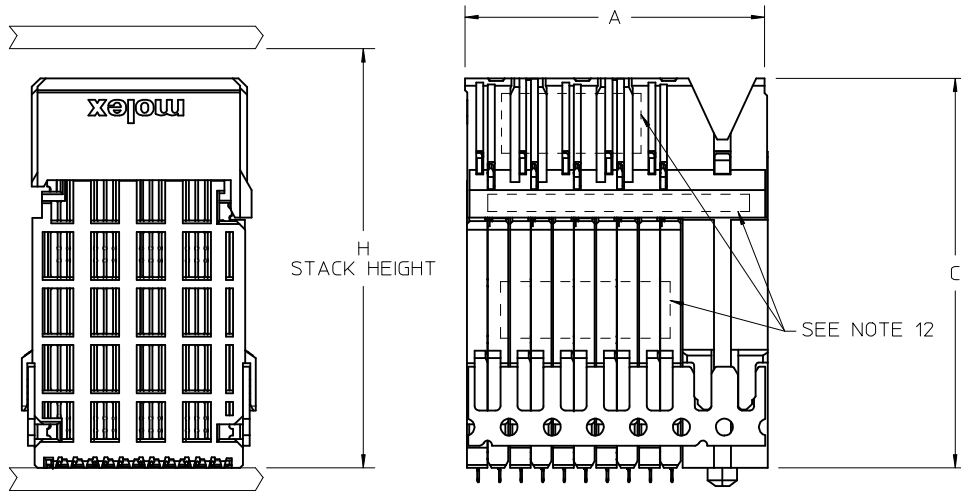


KEY SHOWN
IN POSITION A



PIN A1

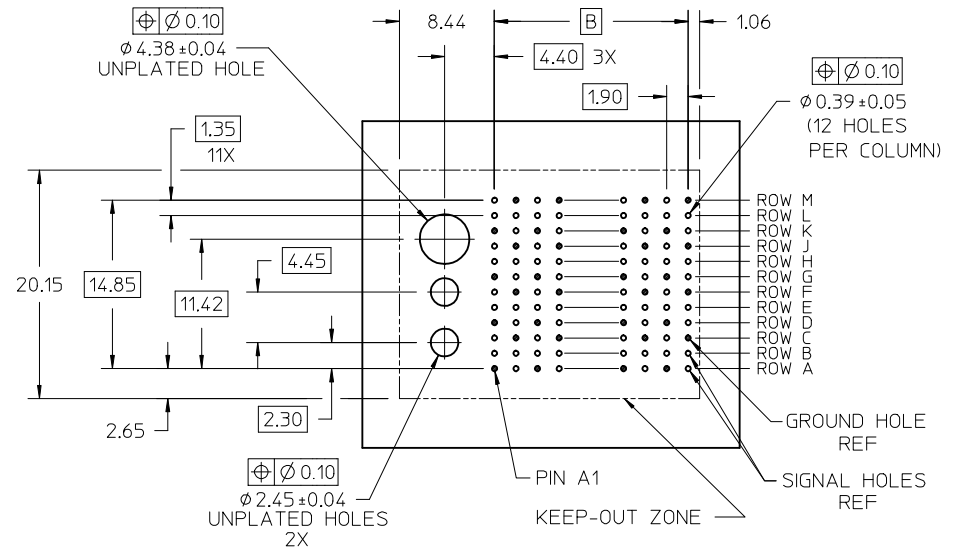


H
STACK HEIGHT

SEE NOTE 12

NOTES:

1. MATERIALS: HOUSING - LIQUID CRYSTAL POLYMER (LCP)
GLASS-FILLED, UL94V-0
TERMINALS - HIGH PERFORMANCE COPPER ALLOY
2. FINISH: 30 MNCH MIN GOLD IN CONTACT AREA.
SELECTIVE MATTE TIN ON PCB TAILS, NICKEL OVERALL.
3. REFER TO MOLEX PRODUCT SPECIFICATION PS-76060-999 FOR PERFORMANCE SPECIFICATIONS AND ADDITIONAL PCB INFORMATION.
4. EACH SIGNAL WAFER CONTAINS 2 COLUMNS OF TERMINALS.
5. SEE CHART FOR PACKAGING SPECIFICATIONS.
6. THIS PART CONFORMS TO CLASS B REQUIREMENTS OF COSMETIC SPEC PS-45499-002.
7. REFER TO MOLEX SALES DRAWING SD-170335-0002 FOR THE MATING HEADERS
8. REFER TO MOLEX ROUTING PCB ROUTING GUIDE AS-76060-990 FOR ANTI PAD AND ROUTING RECOMMENDATIONS.
9. GROUND PATHS ARE NOT DISCRETE WITHIN CONNECTOR DUE TO PRESENCE OF PLUS CLIP.
10. PART NUMBER 170390-3130 SHOWN ON DRAWING. KEYING FEATURES WILL CHANGE WITH COLUMN SIZE.
11. FOR SCREW PART NUMBER AND FUNCTIONAL BOARD THICKNESS REFER TO CHART ON SHEET 2. IN ORDER TO ACCOMMODATE ALTERNATE BOARD THICKNESSES PLEASE CONTACT MOLEX.
12. MARKING: LOCATED APPROXIMATELY AS SHOWN, PART NUMBER AND DATE CODE.



VERTICAL RECEPTACLE HOLE PATTERN
(CONNECTOR SIDE)

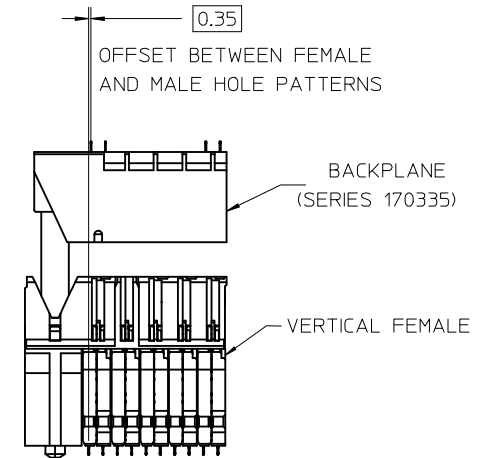
ADD LASER MARK INFO EC NO: UCP2016-3973 DRAWN: VARVARA 2015/07/29 CHKD: TELO 2016/02/22 APPR: TELO 2016/04/20	QUALITY SYMBOLS ▽=0 ▽=0 ▽=0	GENERAL TOLERANCES (UNLESS SPECIFIED)		DIMENSION STYLE MM ONLY	SCALE 3:1	DESIGN UNITS METRIC	THIRD ANGLE PROJECTION	
		mm	INCH	DRAWN BY J JONIAK	DATE 2011/01/20	TITLE IMPACT 4-PAIR 85-OHM LEFT GUIDE MEZZANINE SALES DRAWING		
REV: B2	DESCRIPTION	4 PLACES	± ---	± ---	CHECKED BY J B INGHAM	DATE 2013/04/03	MATERIAL NO. SEE CHART	DOCUMENT NO. SD-170390-0002
		3 PLACES	± ---	± ---	APPROVED BY J LAURX	DATE 2013/04/05		
DRAFT WHERE APPLICABLE MUST REMAIN WITHIN DIMENSIONS		ANGULAR ±1/2°		THIS DRAWING CONTAINS INFORMATION THAT IS PROPRIETARY TO MOLEX INCORPORATED AND SHOULD NOT BE USED WITHOUT WRITTEN PERMISSION				

PART NUMBER CHART

MATERIAL NUMBER	# OF COLUMNS	# OF DIFF PAIRS	DIM "A" MAX	DIM "B"	DIM "C"	DIM "D"	PACKAGING SPEC	SCREW P/N	FUNCTIONAL BOARD THICKNESS	HEIGHT (DIM H)
170390-3*08	8	32	22.8	13.3	15.36	19.41	PK-70873-4001	73726-0005	2.0mm TO 3.0mm	18mm STACK
170390-3*00	10	40	26.6	17.1						
170390-3*02	12	48	30.4	20.9						
170390-3*07	14	56	34.2	24.7						
170390-3*06	16	64	38.0	28.5						
170390-3*09	18	72	41.8	32.3						

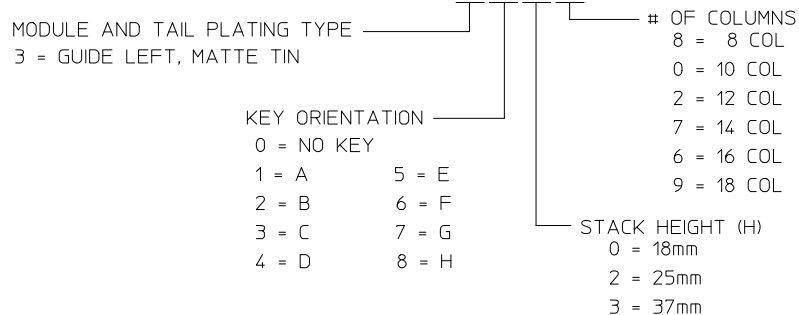
MATERIAL NUMBER	# OF COLUMNS	# OF DIFF PAIRS	DIM "A" MAX	DIM "B"	DIM "C"	DIM "D"	PACKAGING SPEC	SCREW P/N	FUNCTIONAL BOARD THICKNESS	HEIGHT (DIM H)
170390-3*28	8	32	22.8	13.3	22.36	19.41	PK-70873-4002	73726-0000	1.0mm TO 5.0mm	25mm STACK
170390-3*20	10	40	26.6	17.1						
170390-3*22	12	48	30.4	20.9						
170390-3*27	14	56	34.2	24.7						
170390-3*26	16	64	38.0	28.5						
170390-3*29	18	72	41.8	32.3						

MATERIAL NUMBER	# OF COLUMNS	# OF DIFF PAIRS	DIM "A" MAX	DIM "B"	DIM "C"	DIM "D"	PACKAGING SPEC	SCREW P/N	FUNCTIONAL BOARD THICKNESS	HEIGHT (DIM H)
170390-3*38	8	32	22.8	13.3	34.36	20.65	PK-70873-0044	73726-0000	1.0mm TO 5.0mm	37mm STACK
170390-3*30	10	40	26.6	17.1						
170390-3*32	12	48	30.4	20.9						
170390-3*37	14	56	34.2	24.7						
170390-3*36	16	64	38.0	28.5						
170390-3*39	18	72	41.8	32.3						



PART NUMBER LOGIC

170390-****



SEE SHEET 1 EC NO: UCP2016-3973 DRAWN: VARVARA 2015/07/29 CHKD: TELO 2016/02/22 APPR: TELO 2016/04/20	QUALITY SYMBOLS ▽=0 ▽=0 ▽=0	GENERAL TOLERANCES (UNLESS SPECIFIED)		DIMENSION STYLE MM ONLY	SCALE 2:1	DESIGN UNITS METRIC	THIRD ANGLE PROJECTION
		4 PLACES ± --- ± --- 3 PLACES ± --- ± --- 2 PLACES ± 0.13 ± --- 1 PLACE ± 0.25 ± ---	mm INCH	DRAWN BY JJONI AK DATE 2011/01/20	TITLE IMPACT 4-PAIR 85-OHM LEFT GUIDE MEZZANINE SALES DRAWING		
		ANGULAR ±1/2°		CHECKED BY JB INGHAM DATE 2013/04/03	APPROVED BY JLAURX DATE 2013/04/05		
		DRAFT WHERE APPLICABLE MUST REMAIN WITHIN DIMENSIONS		MATERIAL NO. SEE CHART	DOCUMENT NO. SD-170390-0002		
B2	REV	THIS DRAWING CONTAINS INFORMATION THAT IS PROPRIETARY TO MOLEX INCORPORATED AND SHOULD NOT BE USED WITHOUT WRITTEN PERMISSION		SHEET NO. 2 OF 2			