

170140-1 ✓ ACTIVE

FASTON | FASTON 187

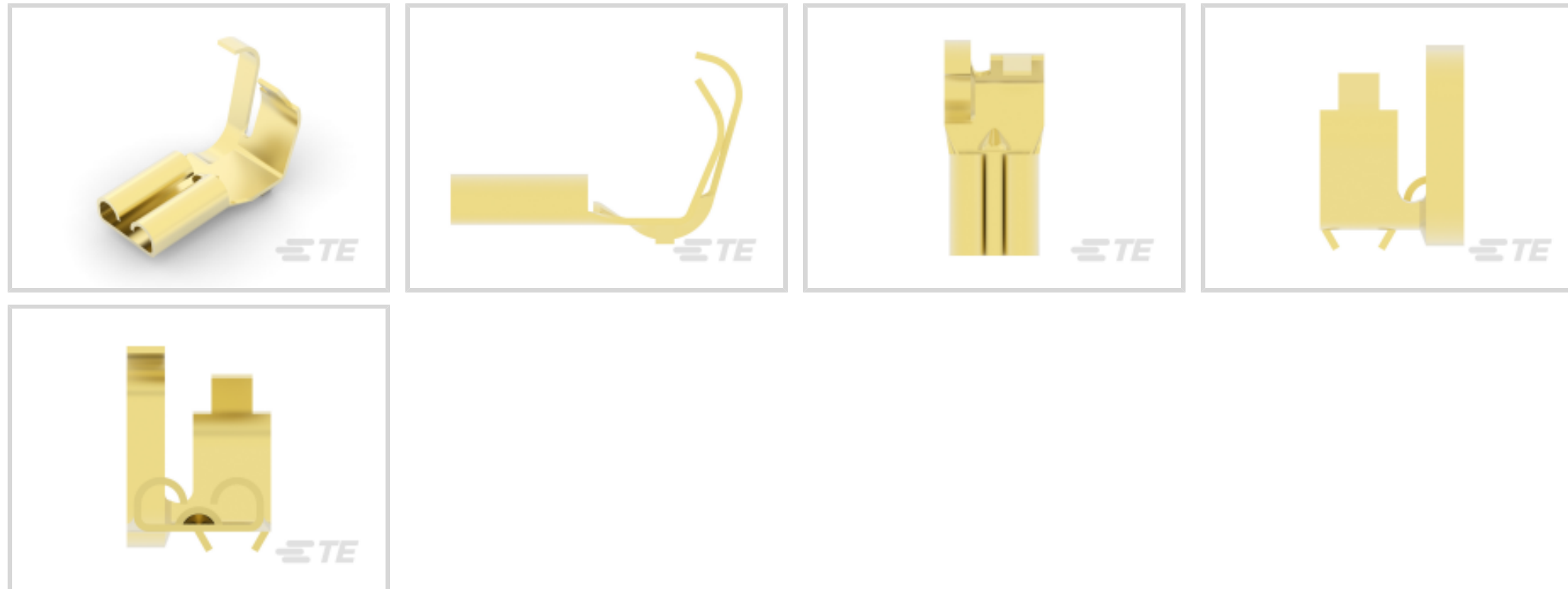
TE Internal #: 170140-1

Quick Disconnects, Receptacle, 20 – 16 AWG Wire Size, .5 – 1.5 mm<sup>2</sup> Wire Size, Mating Tab Width .187 in [4.75 mm], Flag, Brass, FASTON 187

[View on TE.com >](#)



Terminals & Splices > Quick Disconnects



Quick Disconnect Terminal Type: **Receptacle**

Wire Size: .5 – 1.5 mm<sup>2</sup>

Mating Tab Width: 4.75 mm [.187 in ]

Mating Tab Thickness: .33 mm [.013 in ]

## Features

### Product Type Features

Terminates To	Wire & Cable
Wire Stop	No
Wire/Cable Type	Regular Wire
Insertion Force	Normal
Sealable	No

### Configuration Features

Connection Capacity	Single
---------------------	--------

### Contact Features

Quick Disconnect Terminal Type	Receptacle
Mating Tab Width	4.75 mm [.187 in]
Mating Tab Thickness	.33 mm [.013 in]
Terminal Orientation	Flag
Contact Base Material	Brass
Terminal Plating Material	Unplated
Crimp Type	Tab-Lok



Barrel Type	Open
-------------	------

### Mechanical Attachment

Mating Retention Type	Dimple
Extraction Force	9.8 – 147.1 Newton
Wire Insulation Support	With

### Dimensions

Accepts Wire Insulation Diameter Range	2.79 – 4.32 mm [.11 – .17 in]
Overall Length	13.5 mm [.531 in]
Receptacle Terminal Stock Thickness	.3 mm [.012 in]
Wire Size	.5 – 1.5 mm <sup>2</sup>

### Usage Conditions

Insulation Option	Uninsulated
Operating Temperature Range	-40 – 110 °C [-40 – 230 °F]

### Industry Standards

UL Rating	Listed
-----------	--------

### Packaging Features

Packaging Quantity	7000
Packaging Method	Strip/Reel

### Product Compliance

[For compliance documentation, visit the product page on TE.com>](#)

EU RoHS Directive 2011/65/EU	Compliant
EU ELV Directive 2000/53/EC	Compliant
China RoHS 2 Directive MIIT Order No 32, 2016	No Restricted Materials Above Threshold
EU REACH Regulation (EC) No. 1907/2006	Current ECHA Candidate List: JUNE 2022 (224) Candidate List Declared Against: JAN 2022 (223) SVHC > Threshold: Not Yet Reviewed
Halogen Content	Low Halogen - Br, Cl, F, I < 900 ppm per homogenous material. Also BFR/CFR/PVC Free
Solder Process Capability	Not applicable for solder process capability

Product Compliance Disclaimer

This information is provided based on reasonable inquiry of our suppliers and represents our current actual knowledge based on the information they provided. This information is subject to change. The part numbers that TE has identified as EU RoHS compliant have a maximum concentration of 0.1% by weight in homogenous materials for lead, hexavalent chromium, mercury, PBB, PBDE, DBP, BBP, DEHP, DIBP, and 0.01% for cadmium, or qualify for an exemption to these limits as defined in the Annexes of Directive 2011/65/EU (RoHS2). Finished electrical and electronic equipment products will be CE marked as required by Directive 2011/65/EU. Components may not be CE marked. Additionally, the part numbers that TE has identified as EU ELV compliant have a maximum concentration of 0.1% by weight in homogenous materials for lead, hexavalent chromium, and mercury, and 0.01% for cadmium, or qualify for an exemption to these limits as defined in the Annexes of Directive 2000/53/EC (ELV). Regarding the REACH Regulation, the information TE provides on SVHC in articles for this part number is based on the latest European Chemicals Agency (ECHA) 'Guidance on requirements for substances in articles' posted at this URL: <https://echa.europa.eu/guidance-documents/guidance-on-reach>

## Compatible Parts



TE Part # 154897-1  
.375 FLAG FASTON RECPT.



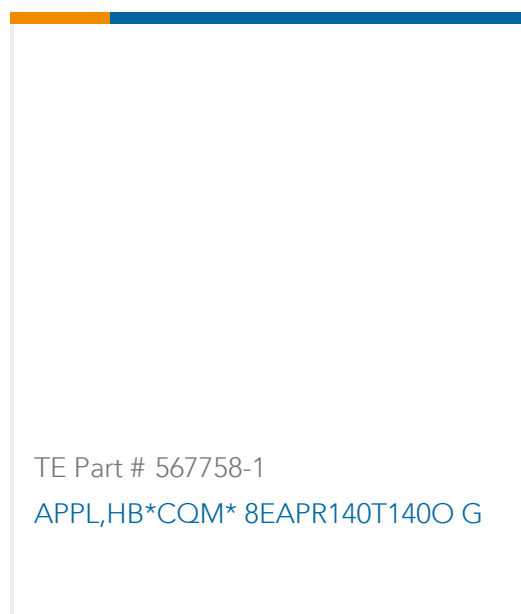
TE Part # 1-687392-9  
HB 9EAPR140T1400 G



TE Part # 1855654-1  
HDM/FA HBEMPO140T1400 LM CUT

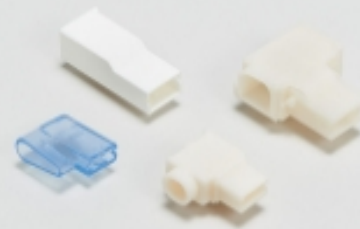


TE Part # 565501-1  
STD HBEMPR140T1400K




TE Part # 567758-1  
APPL,HB\*QCM\* 8EAPR140T1400 G


## Also in the Series | FASTON 187




Crimp Terminal Housings(41)



Insertion & Extraction Tools(1)



Joints & Splices(1)



PCB Terminals(48)

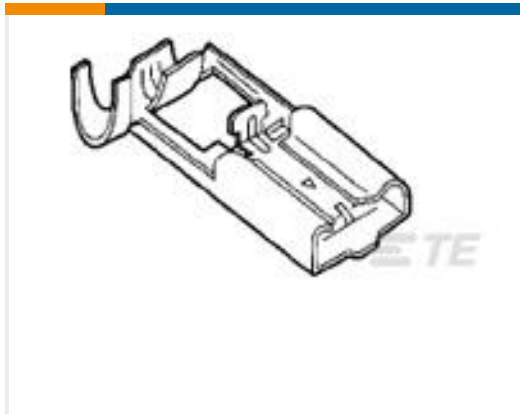


Quick Disconnects(214)



Splices(1)

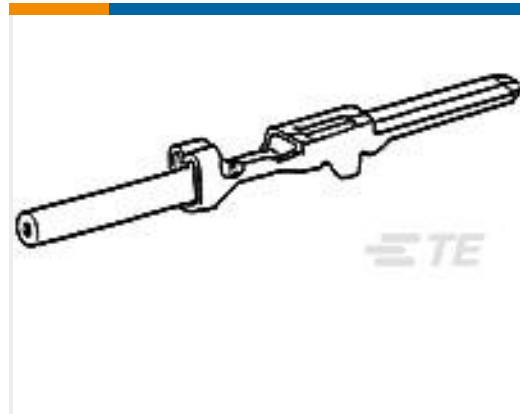
## Customers Also Bought



TE Part #172796-1  
PL 312 FLAG REC 20-14 0.32 X 24.9  
PTPBR



TE Part #173974-1  
187 HSG. PL MKII REC. NAT



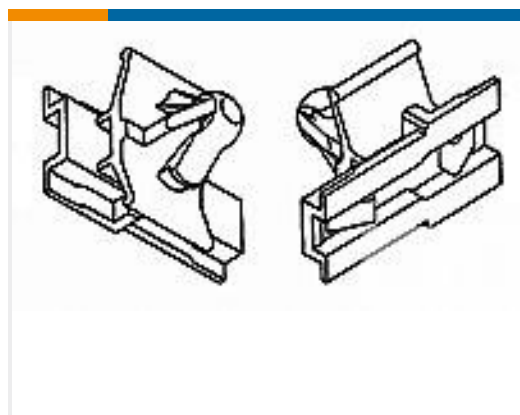
TE Part #345210-1  
070 SERIES TAB



TE Part #1318620-2  
TH/.025 CONNECTOR SYSTEM,  
HOUSING



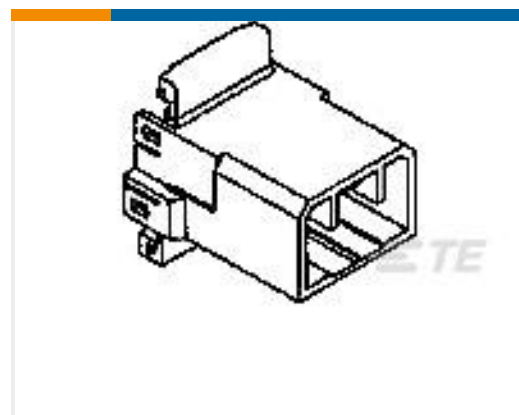
TE Part #1674311-1  
0.64III RCPT NON SEALED (TYPE1)



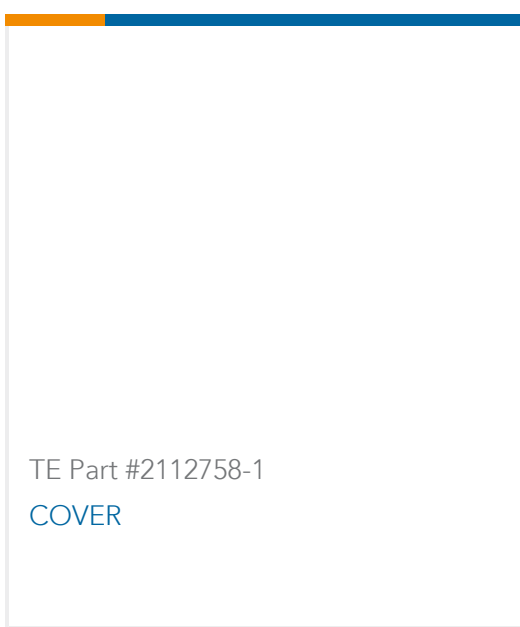
TE Part #345484-1  
DUAL PURPOSE BODY CLIP



TE Part #178471-2  
DOUBLE LOCK CONNECTOR 250  
ASSEMBLY



TE Part #174932-1  
070 MLC W-W CAP HSG 10P



TE Part #2112758-1  
COVER

## Documents

### Product Drawings

187 FASTON,FLAG,REC.,16-20 AWG,BR

Japanese

### CAD Files

3D PDF

3D

### Customer View Model

ENG\_CVM\_CVM\_170140-1\_AB\_c-170140-1-ab.2d\_dxf.zip



English

**Customer View Model**

[ENG\\_CVM\\_CVM\\_170140-1\\_AB\\_c-170140-1-ab.3d\\_igs.zip](#)

English

**Customer View Model**

[ENG\\_CVM\\_CVM\\_170140-1\\_AB\\_c-170140-1-ab.3d\\_stp.zip](#)

English

By downloading the CAD file I accept and agree to the [Terms and Conditions](#) of use.

---

**Product Specifications**

**Product Specification**

English

[.187 Series Flag FASTON Receptacle](#)

English

---

**Product Environmental Compliance**

[MD\\_170140-1\\_102220172238\\_dmtec](#)

English

[MD\\_170140-1\\_102220172238\\_dmtec](#)

English