



Terminals & Splices > Quick Disconnects



Quick Disconnect Terminal Type: **Receptacle**

Wire Size: **.82 – 2.08 mm²**

Mating Tab Width: **4.75 mm [.187 in]**

Mating Tab Thickness: **.51 mm [.02 in]**

Features

Product Type Features

Terminates To	Wire & Cable
Wire Stop	No
Wire/Cable Type	Regular Wire
Insertion Force	Normal
Sealable	No

Configuration Features

Connection Capacity	Single
---------------------	--------

Contact Features

Quick Disconnect Terminal Type	Receptacle
Mating Tab Width	4.75 mm[.187 in]
Mating Tab Thickness	.51 mm[.02 in]
Terminal Orientation	Flag
Contact Base Material	Brass
Terminal Plating Material	Tin
Crimp Type	F-Crimp



Barrel Type	Open
-------------	------

Mechanical Attachment

Mating Retention Type	Dimple
-----------------------	--------

Wire Insulation Support	With
-------------------------	------

Dimensions

Accepts Wire Insulation Diameter Range	1.9 – 3.94 mm [.075 – .155 in]
--	--------------------------------

Overall Length	13.58 mm [.534 in]
----------------	--------------------

Receptacle Terminal Stock Thickness	.41 mm [.016 in]
-------------------------------------	------------------

Wire Size	.82 – 2.08 mm ²
-----------	----------------------------

Usage Conditions

Insulation Option	Uninsulated
-------------------	-------------

Operating Temperature Range	-40 – 110 °C [-40 – 230 °F]
-----------------------------	-----------------------------

Industry Standards

UL Rating	Listed
-----------	--------

CSA Certified	Yes
---------------	-----

Packaging Features

Packaging Quantity	5000
--------------------	------

Packaging Method	Strip/Reel
------------------	------------

Product Compliance

[For compliance documentation, visit the product page on TE.com>](#)

EU RoHS Directive 2011/65/EU	Compliant
------------------------------	-----------

EU ELV Directive 2000/53/EC	Compliant
-----------------------------	-----------

China RoHS 2 Directive MIIT Order No 32, 2016	No Restricted Materials Above Threshold
---	---

EU REACH Regulation (EC) No. 1907/2006	Current ECHA Candidate List: JUNE 2022 (224) Candidate List Declared Against: JAN 2021 (211) SVHC > Threshold: Not Yet Reviewed
--	--

Halogen Content	Low Halogen - Br, Cl, F, I < 900 ppm per homogenous material. Also BFR/CFR/PVC Free
-----------------	---

Solder Process Capability	Not applicable for solder process capability
---------------------------	--

Product Compliance Disclaimer

This information is provided based on reasonable inquiry of our suppliers and represents our current actual knowledge based on the information they provided. This information is subject to change. The part numbers that TE has identified as EU RoHS compliant have a maximum concentration of 0.1% by weight in homogenous materials for lead, hexavalent chromium, mercury, PBB, PBDE, DBP, BBP, DEHP, DIBP, and 0.01% for cadmium, or qualify for an exemption to these limits as defined in the Annexes of Directive 2011/65/EU (RoHS2). Finished electrical and electronic equipment products will be CE marked as required by Directive 2011/65/EU. Components may not be CE marked. Additionally, the part numbers that TE has identified as EU ELV compliant have a maximum concentration of 0.1% by weight in homogenous materials for lead, hexavalent chromium, and mercury, and 0.01% for cadmium, or qualify for an exemption to these limits as defined in the Annexes of Directive 2000/53/EC (ELV). Regarding the REACH Regulation, the information TE provides on SVHC in articles for this part number is based on the latest European Chemicals Agency (ECHA) 'Guidance on requirements for substances in articles' posted at this URL: <https://echa.europa.eu/guidance-documents/guidance-on-reach>

Compatible Parts



TE Part # 1217244-2
187 FASTON,FLAG,REC.,18-14 AWG, TPBR



TE Part # 1385057-1
HDM 9EMPO104C170C LM



TE Part # 1385057-3
HDM 9EMPR104C170C G




TE Part # 63188-1
187 FASTON FLAG REC 22-18 AWG TPBR




TE Part # 881006-2
.375 FASTON FLAG RE


Also in the Series | FASTON 187




Crimp Terminal Housings(41)



Insertion & Extraction Tools(1)



Joints & Splices(1)



PCB Terminals(48)

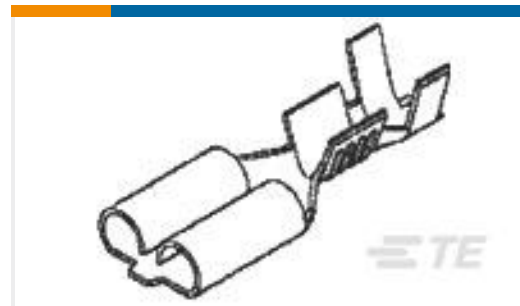
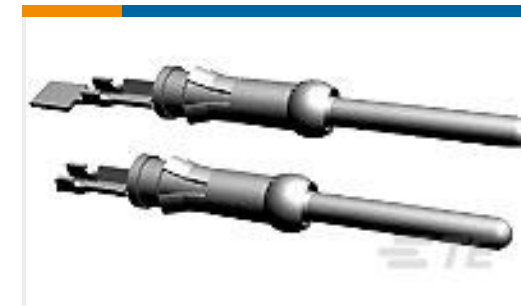
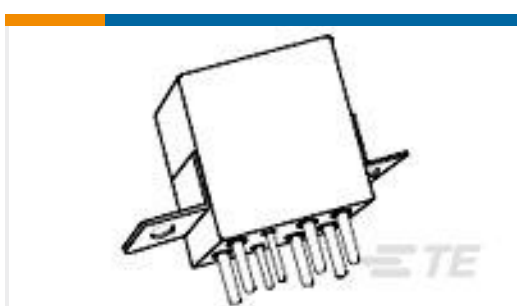


Quick Disconnects(214)



Splices(1)

Customers Also Bought

TE Part #170467-1
187 FASTON,REC.,18-14 AWG,TPPBTE Part #62016-1
187 FASTON REC 18-14 AWG BRTE Part #1742971-4
FASTON 250 REC 18-14 AWG TPBRTE Part #66399-9
III+ SKT,24-20,30AU/FL,SMPACKTE Part #1217027-1
187 FASTON,FLAG,REC.,18-14 AWG, TPBRTE Part #170032-4
250 FASTON,REC.,20-14 AWG,TPBRTE Part #63316-2
187 FASTON FLAG REC 18-14 AWG TPBRTE Part #66400-9
III+ PIN,24-20,30AU/FL,SMPACKTE Part #9-1617748-2
FCA-210-0919M=M83536/9-019M

Documents

Product Drawings

187 FASTON,FLAG,REC.,18-14 AWG,TPBR

English

CAD Files

3D PDF

3D

Customer View Model

ENG_CVM_CVM_1742370-2_C.2d_dxf.zip



English

Customer View Model

[ENG_CVM_CVM_1742370-2_C.3d_igs.zip](#)

English

Customer View Model

[ENG_CVM_CVM_1742370-2_C.3d_stp.zip](#)

English

By downloading the CAD file I accept and agree to the [Terms and Conditions](#) of use.

Product Specifications

[Application Specification](#)

English