



TE Internal #: 170063-2

Magnet Wire Terminals, Receptacle, Lead Wire Size 20 – 16 AWG,
Lead Wire Size .518 – 1.31 mm², .5 – 1.25 mm Magnet Wire, 20 – 16
AWG Magnet Wire

[View on TE.com >](#)

Terminals & Splices > Magnet Wire Terminals



Magnet Wire Terminal Type: **Receptacle**

Mating Pin Diameter: **2.29 mm [.09 in]**

Accepts Wire Insulation Diameter (Max): **3.4 mm [.134 in]**

Accepts Wire Insulation Diameter Range: **2 – 3.4 mm [.079 – .134 in]**

Lead Wire Size: **20 – 16 AWG**

Features

Product Type Features

Wire Insulation Support Retention Type	Insulation Support
Compatible With Discrete Wire Type	Stranded

Configuration Features

Compatible With Wire & Cable Type	Discrete Wire
-----------------------------------	---------------

Contact Features

Crimp Type	F-Crimp
Magnet Wire Terminal Type	Receptacle
Mating Pin Diameter	2.29 mm [.09 in]
Terminal Plating Material	Tin
Terminal Orientation	Straight

Termination Features

Termination Method to Wire & Cable	Crimp
Crimp Area Length	6.13 mm [.241 in]

Mechanical Attachment



Wire Insulation Support	With
-------------------------	------

Housing Features

Housing Retention Force	Standard
-------------------------	----------

Dimensions

Terminal Height	6 mm [.236 in]
-----------------	----------------

Accepts Wire Insulation Diameter (Max)	3.4 mm [.134 in]
--	------------------

Accepts Wire Insulation Diameter Range	2 – 3.4 mm [.079 – .134 in]
--	-----------------------------

Lead Wire Size	.518 – 1.31 mm ²
----------------	-----------------------------

Magnet Wire Size	20 – 16 AWG
------------------	-------------

Stock Thickness (Magnet Wire Side)	.37 mm [.015 in]
------------------------------------	------------------

Overall Product Length	20.6 mm [.811 in]
------------------------	-------------------

Usage Conditions

Insulation Option	Uninsulated
-------------------	-------------

Operation/Application

Compatible With Wire Base Material	Copper
------------------------------------	--------

Packaging Features

Packaging Quantity	5000
--------------------	------

Packaging Method	Reel
------------------	------

Product Compliance

[For compliance documentation, visit the product page on TE.com>](#)

EU RoHS Directive 2011/65/EU	Compliant
------------------------------	-----------

EU ELV Directive 2000/53/EC	Compliant
-----------------------------	-----------

China RoHS 2 Directive MIIT Order No 32, 2016	No Restricted Materials Above Threshold
---	---

EU REACH Regulation (EC) No. 1907/2006	Current ECHA Candidate List: JUNE 2022 (224) Candidate List Declared Against: JAN 2022 (223) SVHC > Threshold: Not Yet Reviewed
--	--

Halogen Content	Low Halogen - Br, Cl, F, I < 900 ppm per homogenous material. Also BFR/CFR/PVC Free
-----------------	---

Solder Process Capability	Not applicable for solder process capability
---------------------------	--

Product Compliance Disclaimer

This information is provided based on reasonable inquiry of our suppliers and represents our current actual knowledge based on the information they provided. This information is subject to change. The part numbers that TE has identified as EU RoHS compliant have a maximum concentration of 0.1% by weight in homogenous materials for lead, hexavalent chromium, mercury, PBB, PBDE, DBP, BBP, DEHP, DIBP, and 0.01% for cadmium, or qualify for an exemption to these limits as defined in the Annexes of Directive 2011/65/EU (RoHS2). Finished electrical and electronic equipment products will be CE marked as required by Directive 2011/65/EU. Components may not be CE marked. Additionally, the part numbers that TE has identified as EU ELV compliant have a maximum concentration of 0.1% by weight in homogenous materials for lead, hexavalent chromium, and mercury, and 0.01% for cadmium, or qualify for an exemption to these limits as defined in the Annexes of Directive 2000/53/EC (ELV). Regarding the REACH Regulation, the information TE provides on SVHC in articles for this part number is based on the latest European Chemicals Agency (ECHA) 'Guidance on requirements for substances in articles' posted at this URL: <https://echa.europa.eu/guidance-documents/guidance-on-reach>

Compatible Parts



TE Part # 171370-3
CLUSTER BLOCK HSG PBT



TE Part # 1-171370-1
2.3 DIA CLUSTER BLOCK HSG



TE Part # 1-171370-2
2.3DIA CLUSTER BLOCK



TE Part # 171370-5
CLUSTER BLOCK HSG PBT



TE Part # 2150087-2
OCEAN_2.0_APPLICATOR-E-090F150FA



TE Part # 1-2005820-1
CLUSTER BLOCK 3P CLIP HSG



TE Part # 171370-6
CLUSTER BLOCK HSG 66 0023



TE Part # 171370-7
CLUSTER BLOCK HSG LCP



TE Part # 2-2150087-1
OCEAN_2.0_APPLICATOR-E-090F150F



TE Part # 2-2150087-2
OCEAN_2.0_APPLICATOR-E-090F150FA



TE Part # 2005820-1
CLUSTER BLOCK 3P CLIP HSG




TE Part # 2150087-1
OCEAN_2.0_APPLICATOR-E-090F150F



TE Part # 7-2150087-1
OCEAN_2.0_APPLICATOR-E-090F150F



TE Part # 7-2150087-2
OCEAN_2.0_APPLICATOR-E-090F150FA

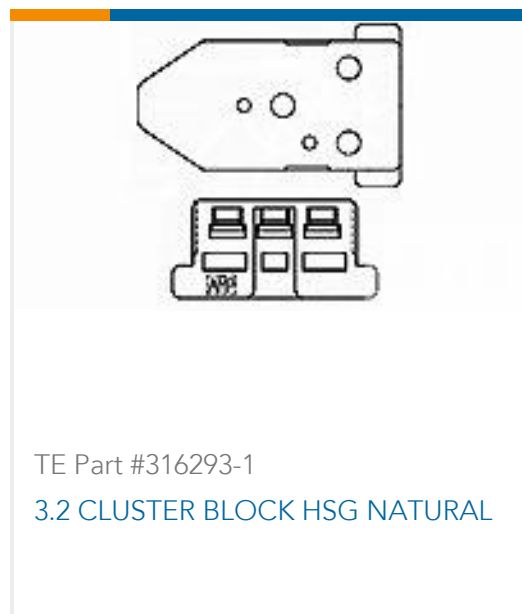
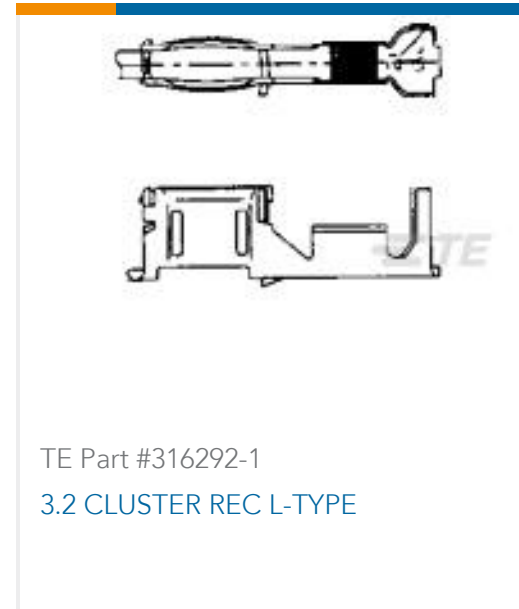


KIT
TE Part # 7-2150087-7
OCEAN_2.0_SPARE_PART_KIT-090F150F



TE Part # 737110-3
CLUSTER BLOCK HSG VO WHI

Customers Also Bought



Documents

CAD Files

Customer View Model

[ENG_CVM_CVM_170063-2_AB.2d_dxf.zip](#)

English

3D PDF

3D

Customer View Model

[ENG_CVM_CVM_170063-2_AB.3d_igs.zip](#)

English

Customer View Model

[ENG_CVM_CVM_170063-2_AB.3d_stp.zip](#)

English

By downloading the CAD file I accept and agree to the [Terms and Conditions](#) of use.

Product Specifications

Application Specification

English

Product Environmental Compliance

[MD_170063-2_08272018013_dmtec](#)

English

[MD_170063-2_08272018013_dmtec](#)

English

Agency Approvals

[Agency Approval Document](#)

170063-2

Magnet Wire Terminals, Receptacle, Lead Wire Size 20 – 16 AWG, Lead Wire Size .518 – 1.31 mm², .5 – 1.25 mm Magnet Wire, 20 – 16 AWG Magnet Wire



English