

1670225-1 ✓ ACTIVE

AMP MCP 6.3/4.8K, AMP MCP Connector System

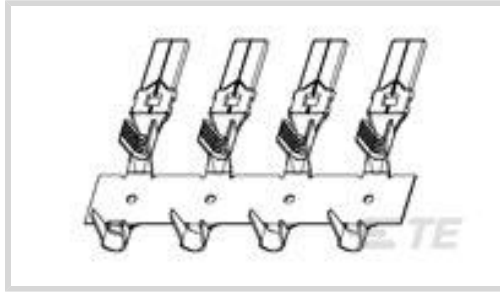
TE Internal #: 1670225-1

Automotive Terminals, Tab, Mating Tab Width 6.3 mm [.248 in], Tab Thickness .031 in [.8 mm], 11 – 9 AWG Wire Size, AMP MCP 6.3/4.8K

[View on TE.com >](#)



Terminals & Splices > Automotive Terminals > AMP MCP, RECEPTACLE AND TAB



Terminal Type: **Tab**

Mating Tab Width: **6.3 mm [.248 in]**

Mating Tab Thickness: **.8 mm [.031 in]**

Wire Size: **4 – 6 mm²**

[All AMP MCP, RECEPTACLE AND TAB \(125\)](#)

Features

Product Type Features

Sealable	No
Primary Locking Feature	Clean Body

Contact Features

Contact Size	6.1mm
Contact Fabrication	Stamped & Formed
Crimp Type	F-Crimp
Terminal Type	Tab
Mating Tab Width	6.3 mm[.248 in]
Mating Tab Thickness	.8 mm[.031 in]
Interface Plating	Tin (Sn)

Termination Features

Termination Method to Wire & Cable	Crimp
Product Terminates To	Wire

Dimensions

Wire Size	4 – 6 mm ²
Wire Size Search	9 AWG, 10 AWG, 11 AWG
Wire Insulation Diameter	3.4 – 4.3 mm

Usage Conditions



Insulation Option	Uninsulated
Operating Temperature (Max)	80 °C, 85 °C, 90 °C, 100 °C, 105 °C, 110 °C, 120 °C, 125 °C[176 °F][185 °F][194 °F][212 °F][221 °F][230 °F][248 °F][257 °F]
Operating Temperature Range	-45 – 125 °C[-45 – 257 °F]

Operation/Application

Compatible With Wire Base Material	Copper
------------------------------------	--------

Packaging Features

Packaging Method	Box
Packaging Quantity	2250

Product Compliance

[For compliance documentation, visit the product page on TE.com>](#)

EU RoHS Directive 2011/65/EU	Compliant
EU ELV Directive 2000/53/EC	Compliant
China RoHS 2 Directive MIIT Order No 32, 2016	No Restricted Materials Above Threshold
EU REACH Regulation (EC) No. 1907/2006	Current ECHA Candidate List: JUNE 2022 (224) Candidate List Declared Against: JAN 2022 (223) SVHC > Threshold: Not Yet Reviewed
Halogen Content	Low Halogen - Br, Cl, F, I < 900 ppm per homogenous material. Also BFR/CFR/PVC Free
Solder Process Capability	Not applicable for solder process capability

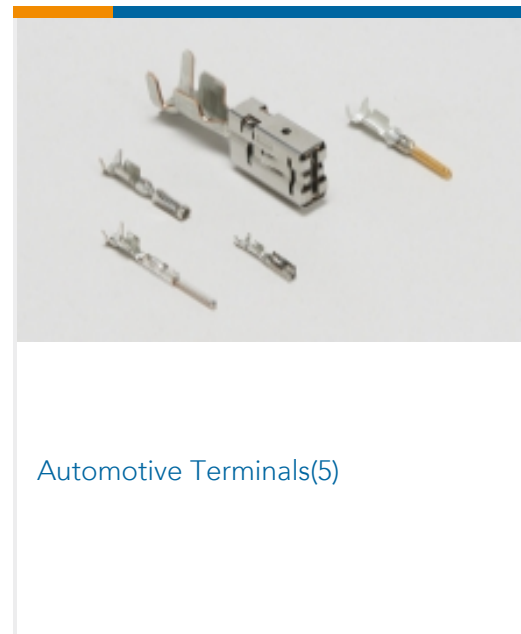
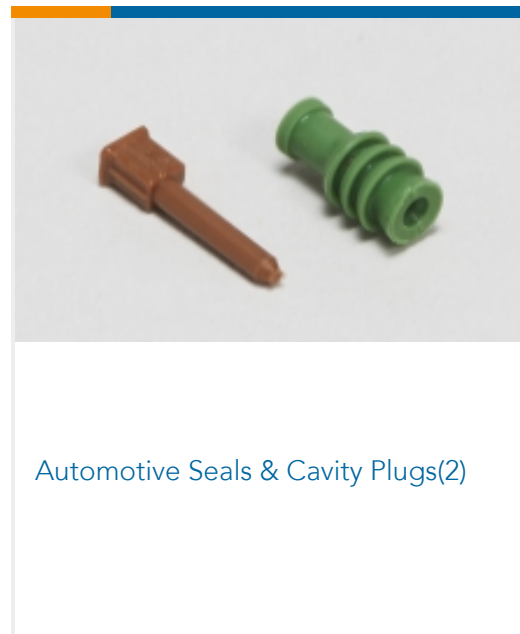
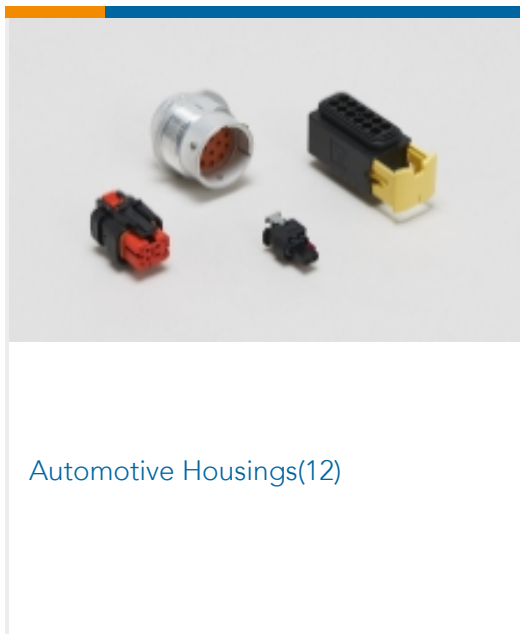
Product Compliance Disclaimer

This information is provided based on reasonable inquiry of our suppliers and represents our current actual knowledge based on the information they provided. This information is subject to change. The part numbers that TE has identified as EU RoHS compliant have a maximum concentration of 0.1% by weight in homogenous materials for lead, hexavalent chromium, mercury, PBB, PBDE, DBP, BBP, DEHP, DIBP, and 0.01% for cadmium, or qualify for an exemption to these limits as defined in the Annexes of Directive 2011/65/EU (RoHS2). Finished electrical and electronic equipment products will be CE marked as required by Directive 2011/65/EU. Components may not be CE marked. Additionally, the part numbers that TE has identified as EU ELV compliant have a maximum concentration of 0.1% by weight in homogenous materials for lead, hexavalent chromium, and mercury, and 0.01% for cadmium, or qualify for an exemption to these limits as defined in the Annexes of Directive 2000/53/EC (ELV). Regarding the REACH Regulation, the information TE provides on SVHC in articles for this part number is based on the latest European Chemicals Agency (ECHA) 'Guidance on requirements for substances in articles' posted at this URL: <https://echa.europa.eu/guidance-documents/guidance-on-reach>

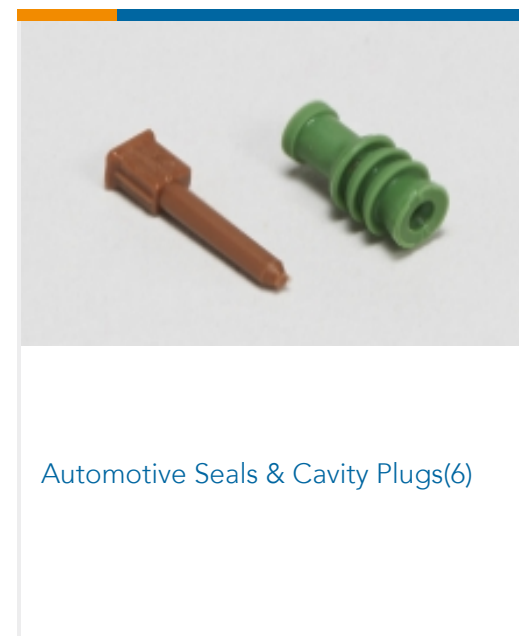
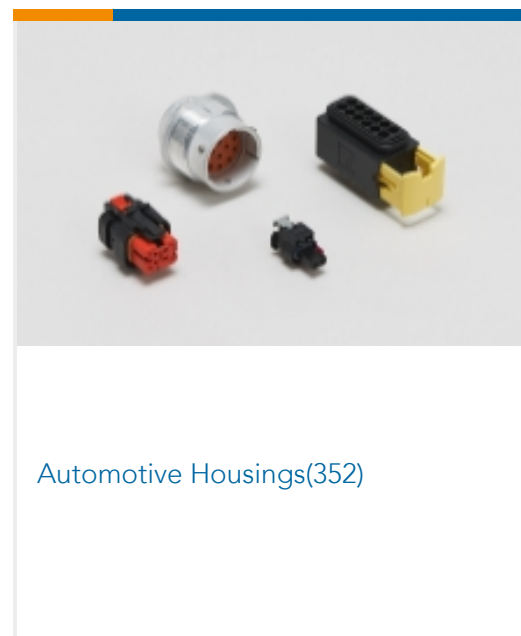
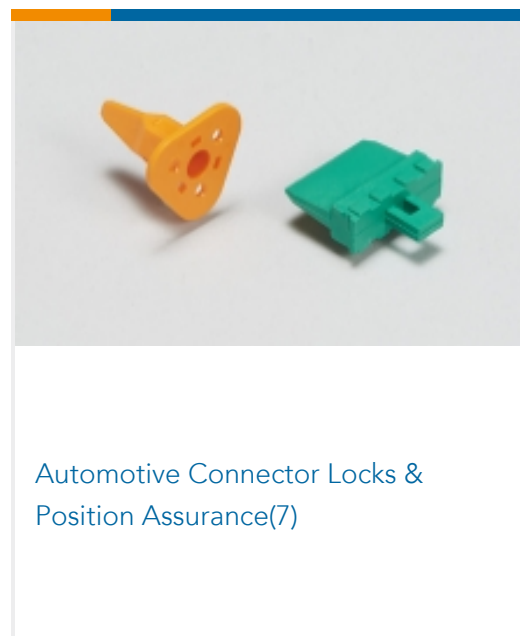
Compatible Parts

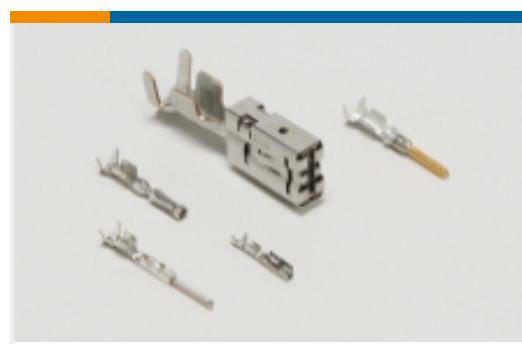


Also in the Series | **AMP MCP 6.3/4.8K**



Also in the Series | **AMP MCP Connector System**

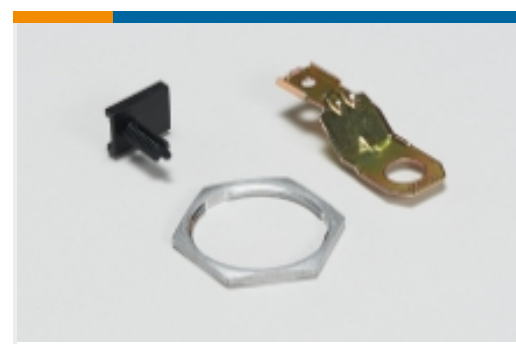




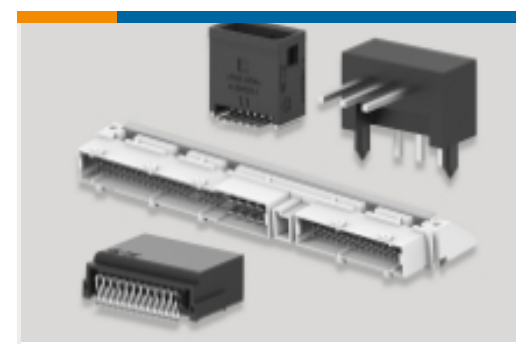
Automotive Terminals(125)



Insertion & Extraction Tools(13)

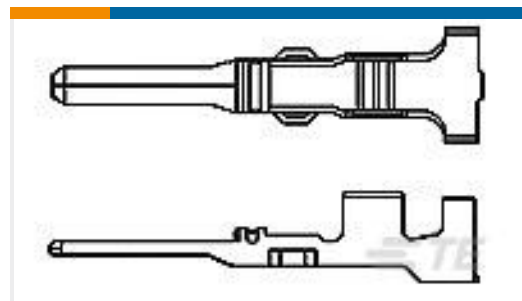
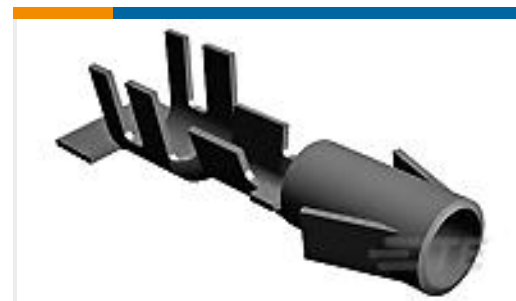
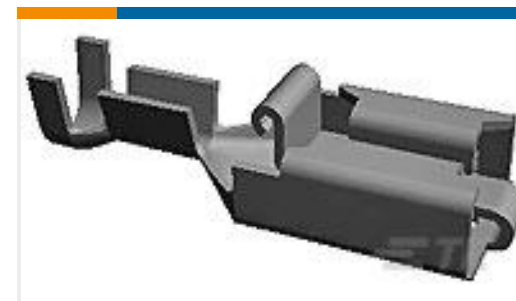
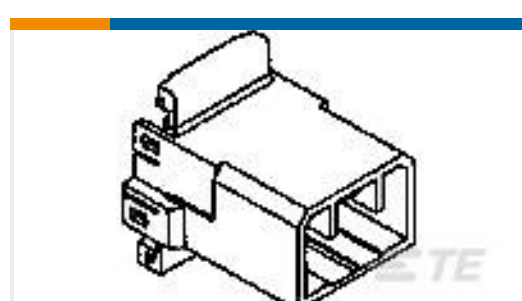


Other Automotive Connector Accessories(2)



PCB Headers & Receptacles(29)

Customers Also Bought

TE Part #345807-1
ECONO CONT. TABTE Part #348461-1
ECON 3 LC PLUG SILICTE Part #925714-1
MATENLOK SOCKETTE Part #927854-6
PL 250 REC TERMINAL 17-13 AWG
PTPBTE Part #2112295-1
PROTECTION CAP, GROUP D, ASSYTE Part #3-967630-1
FLA-STE-GEH2,8 21PTE Part #7-967570-4
MQS, CONNECTOR HOUSINGTE Part #928966-2
SPT REC 6.3 Contact SWS SnTE Part #174936-1
070 MLC W-W CAP HSG 20P

Documents

Product Drawings

TAB 6.3 X 0.8 BODY BUSBAR

English

CAD Files

3D PDF

3D

Customer View Model

ENG_CVM_CVM_1670225-1_B.2d_dxf.zip



English

Customer View Model

[ENG_CVM_CVM_1670225-1_B.3d_igs.zip](#)

English

Customer View Model

[ENG_CVM_CVM_1670225-1_B.3d_stp.zip](#)

English

By downloading the CAD file I accept and agree to the [Terms and Conditions](#) of use.

Datasheets & Catalog Pages

MFINITY Version AUT

English

MFINITY Modular Hard Wired Fuse and Relay Box

English

Product Specifications

Application Specification

German

Application Specification

English