

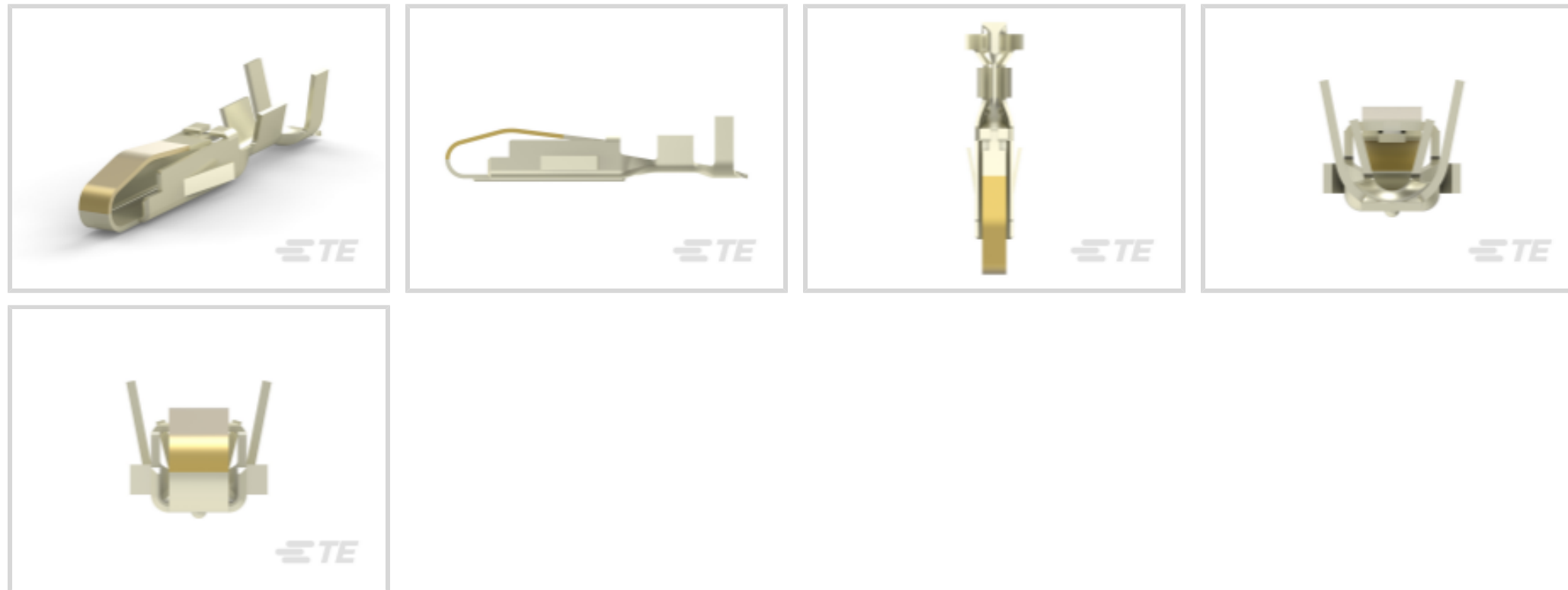


TE Internal #: 170311-1

Connector Contact, Hermaphroditic, Wire-to-Board, .433 in [11 mm] Centerline, 24 – 22 AWG Wire Size, 434.18 – 592.06 CMA Wire Size

[View on TE.com >](#)

Connectors > PCB Connectors > Wire-to-Board Connectors > Wire-to-Board Connector Contacts



Contact Type: **Hermaphroditic**

Connector System: **Wire-to-Board**

Centerline (Pitch): **11 mm [.433 in]**

Wire Size: **434.18 – 592.06 CMA**

Features

Product Type Features

Connector System	Wire-to-Board
Sealable	No
Connector & Contact Terminates To	Wire & Cable

Electrical Characteristics

Dielectric Withstanding Voltage (Max)	2000 VAC
Insulation Resistance	5000 MΩ
Operating Voltage	30 VAC

Contact Features

Contact Retention Within Housing	With
Mating Tab Width	3 mm[.118 in]
Mating Tab Thickness	.65 mm[.025 in]
Contact Underplating Material Thickness	.3 μm[11.81 μin]
Contact Mating Area Plating Material Thickness	.08 μm[3.149 μin]
Contact Length	20.1 mm[.791 in]
Contact Underplating Material	Nickel



Contact Base Material	Phosphor Bronze
-----------------------	-----------------

Contact Type	Hermaphroditic
--------------	----------------

Contact Mating Area Plating Material	Gold
--------------------------------------	------

Contact Current Rating (Max)	7 A
------------------------------	-----

Termination Features

Termination Method to Wire & Cable	Crimp
------------------------------------	-------

Mechanical Attachment

Contact Retention Type Within Housing	Locking Lance
---------------------------------------	---------------

Connector Mounting Type	Cable Mount (Free-Hanging)
-------------------------	----------------------------

Housing Features

Centerline (Pitch)	11 mm [.433 in]
--------------------	-----------------

Dimensions

Accepts Wire Insulation Diameter Range	1.5 – 1.95 mm [.059 – .077 in]
--	--------------------------------

Wire Size	.22 – .3 mm ²
-----------	--------------------------

Usage Conditions

Operating Temperature Range	-30 – 105 °C [-22 – 221 °F]
-----------------------------	-----------------------------

Operation/Application

Compatible With Wire Base Material	Copper
------------------------------------	--------

Circuit Application	Signal
---------------------	--------

Packaging Features

Packaging Quantity	5000
--------------------	------

Packaging Method	Reel
------------------	------

Other

Comment	Housing PN: 172059, 172061, 172063, 172068, 172069, 172070
---------	--

Product Compliance

[For compliance documentation, visit the product page on TE.com>](#)

EU RoHS Directive 2011/65/EU	Compliant
------------------------------	-----------

EU ELV Directive 2000/53/EC	Compliant
-----------------------------	-----------

China RoHS 2 Directive MIIT Order No 32, 2016	No Restricted Materials Above Threshold
---	---

EU REACH Regulation (EC) No. 1907/2006	
--	--



Current ECHA Candidate List: JUNE 2022
(224)

Candidate List Declared Against: JAN 2022
(223)

SVHC > Threshold:
Not Yet Reviewed

Halogen Content
Low Halogen - Br, Cl, F, I < 900 ppm per homogenous material. Also BFR/CFR/PVC Free

Solder Process Capability
Not applicable for solder process capability

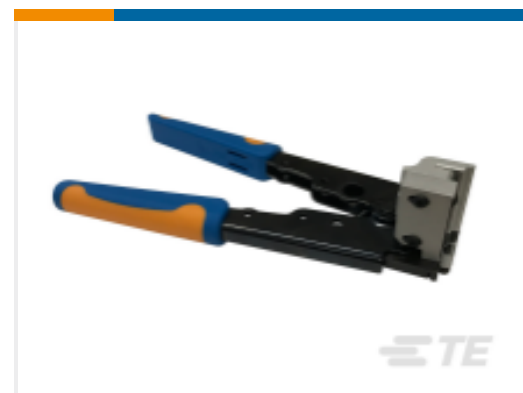
Product Compliance Disclaimer

This information is provided based on reasonable inquiry of our suppliers and represents our current actual knowledge based on the information they provided. This information is subject to change. The part numbers that TE has identified as EU RoHS compliant have a maximum concentration of 0.1% by weight in homogenous materials for lead, hexavalent chromium, mercury, PBB, PBDE, DBP, BBP, DEHP, DIBP, and 0.01% for cadmium, or qualify for an exemption to these limits as defined in the Annexes of Directive 2011/65/EU (RoHS2). Finished electrical and electronic equipment products will be CE marked as required by Directive 2011/65/EU. Components may not be CE marked. Additionally, the part numbers that TE has identified as EU ELV compliant have a maximum concentration of 0.1% by weight in homogenous materials for lead, hexavalent chromium, and mercury, and 0.01% for cadmium, or qualify for an exemption to these limits as defined in the Annexes of Directive 2000/53/EC (ELV). Regarding the REACH Regulation, the information TE provides on SVHC in articles for this part number is based on the latest European Chemicals Agency (ECHA) 'Guidance on requirements for substances in articles' posted at this URL: <https://echa.europa.eu/guidance-documents/guidance-on-reach>

Compatible Parts



TE Part # CAT-AM7017-SD292P
STANDARD DRAWER PLUG HOUSINGS



TE Part # 2305570-1
TERMINAL CUTTER, SIDE FEED



TE Part # 5173033-3
20P DRAWER CONN FEMALE



TE Part # 2151407-1
OCEAN-2.0-APPLICATOR-S-070F120F



TE Part # 2-2150407-1
OC-PA-E-FM-100F140F-094-0000



TE Part # 2-2150407-2
OC-PA-E-FA-100F140F-094-0000



TE Part # 2-2151407-1
OCEAN-2.0-APPLICATOR-S-070F120F



TE Part # 2-2151407-2
OCEAN-2.0-APPLICATOR-S-070F120FA



TE Part # 2151407-2
OCEAN-2.0-APPLICATOR-S-070F120FA



TE Part # 5176916-1
HIGH CURRENT DRAWER 24P



TE Part # 5176916-2
HIGH CURRENT DRAWER 24P



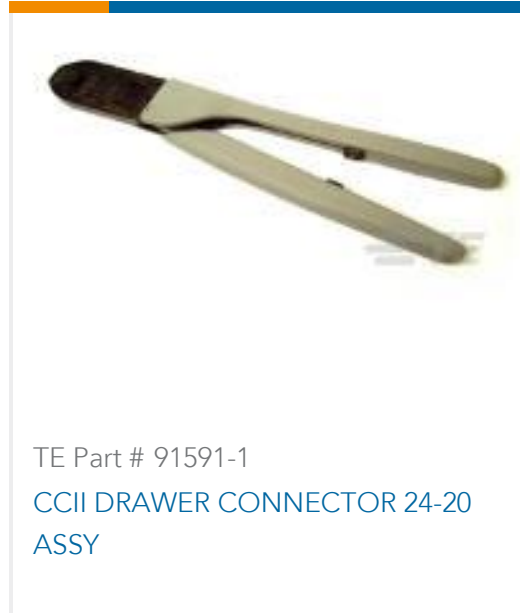
TE Part # 7-2151407-1
OCEAN-2.0-APPLICATOR-S-070F120F



TE Part # 7-2151407-2
OCEAN-2.0-APPLICATOR-S-070F120FA



TE Part # 7-2151407-7
OCEAN_2.0_SPARE_PART_KIT-070F120F



TE Part # 91591-1
CCII DRAWER CONNECTOR 24-20 ASSY

Customers Also Bought



TE Part #172063-1
08P DRAWER MALE HSG



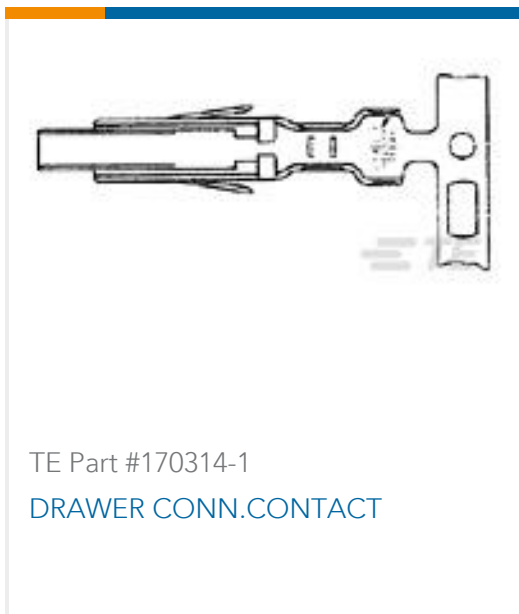
TE Part #5172070-3
STANDARD DRAWER RECEPTACLE HOUSINGS



TE Part #723986-1
EXTRACTION TOOL



TE Part #350700-1
UMNL SPLIT PIN PTPBR



TE Part #170314-1
DRAWER CONN.CONTACT



TE Part #3-1761603-2
IDC LOW PRO HDR 36P VERT BLUE



TE Part #1-2176326-5
CRGP 0603 150R 1%

Documents

Product Drawings

[CONTACT FOR DRAWER CONN](#)

English

CAD Files

[3D PDF](#)

English

[Customer View Model](#)

[ENG_CVM_170311-1_C.2d_dxf.zip](#)



English

Customer View Model

[ENG_CVM_170311-1_C.3d_igs.zip](#)

English

Customer View Model

[ENG_CVM_170311-1_C.3d_stp.zip](#)

English

By downloading the CAD file I accept and agree to the [Terms and Conditions](#) of use.

Datasheets & Catalog Pages

[POWER_CONNECTORS_CATALOG_SEC02_CABLE_MOUNTED](#)

English

[Low Power Drawer Connectors QRG](#)

English

Product Specifications

[Crimping Drawer Connector Contacts](#)

English

[Application Specification](#)

English

Product Environmental Compliance

[TE Material Declaration](#)

English