

172129-1 ✓ ACTIVE

FASTIN-FASTON | FASTIN-FASTON 250

TE Internal #: 172129-1

Crimp Terminal Housings, Receptacle, Receptacle, 2 Position,  
Straight, Natural, Nylon, Contact Mating Retention, Mating  
Alignment, FASTIN-FASTON 250

[View on TE.com >](#)



Terminals & Splices > Terminal Housings, Insulation Sleeves & Blocks > Crimp Terminal Housings



Terminal Type: **Receptacle**

Housing Type: **Receptacle**

Number of Positions: **2**

Terminal Orientation: **Straight**

Primary Product Color: **Natural**

## Features

### Product Type Features

Terminates To	Wire & Cable
Product Type	Terminal Housing
Sealable	No
Housing Type	Receptacle
Insulated	No

### Configuration Features

Number of Positions	2
---------------------	---

### Body Features

Primary Product Color	Natural
-----------------------	---------

### Contact Features

Terminal Type	Receptacle
Terminal Orientation	Straight
Contact Mating Retention	With



### Mechanical Attachment

Mating Alignment	With
Crimp Terminal Housing Mounting Style	Cable Mount (Free-Hanging)

### Housing Features

Housing Material	Nylon
Centerline (Pitch)	6 mm[.236 in]

### Dimensions

Length	28.5 mm[1.12 in]
--------	------------------

### Usage Conditions

Operating Temperature Range	-40 – 105 °C[-40 – 221 °F]
-----------------------------	----------------------------

### Packaging Features

Packaging Quantity	100
--------------------	-----

### Product Compliance

[For compliance documentation, visit the product page on TE.com>](#)

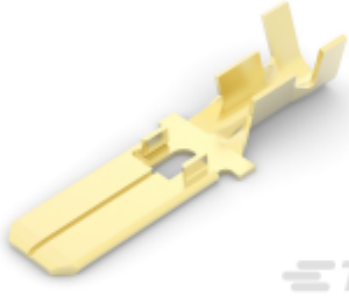

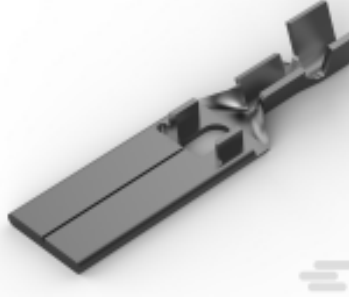




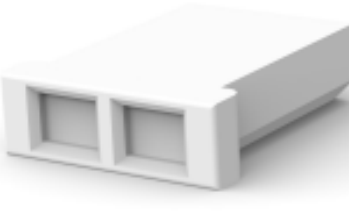

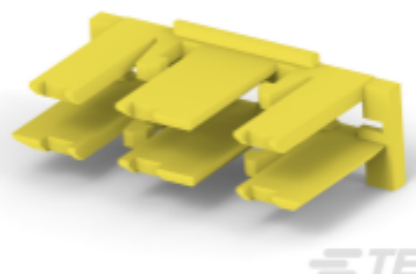

EU RoHS Directive 2011/65/EU	Compliant
EU ELV Directive 2000/53/EC	Compliant
China RoHS 2 Directive MIIT Order No 32, 2016	No Restricted Materials Above Threshold
EU REACH Regulation (EC) No. 1907/2006	Current ECHA Candidate List: JUNE 2022 (224) Candidate List Declared Against: JAN 2022 (223) SVHC > Threshold: Not Yet Reviewed
Halogen Content	Low Halogen - Br, Cl, F, I < 900 ppm per homogenous material. Also BFR/CFR/PVC Free
Solder Process Capability	Not applicable for solder process capability

#### Product Compliance Disclaimer

This information is provided based on reasonable inquiry of our suppliers and represents our current actual knowledge based on the information they provided. This information is subject to change. The part numbers that TE has identified as EU RoHS compliant have a maximum concentration of 0.1% by weight in homogenous materials for lead, hexavalent chromium, mercury, PBB, PBDE, DBP, BBP, DEHP, DIBP, and 0.01% for cadmium, or qualify for an exemption to these limits as defined in the Annexes of Directive 2011/65/EU (RoHS2). Finished electrical and electronic equipment products will be CE marked as required by Directive 2011/65/EU. Components may not be CE marked. Additionally, the part numbers that TE has identified as EU ELV compliant have a maximum concentration of 0.1% by weight in homogenous materials for lead, hexavalent chromium, and mercury, and 0.01% for cadmium, or qualify for an exemption to these limits as defined in the Annexes of Directive 2000/53/EC (ELV). Regarding the REACH Regulation, the information TE provides

on SVHC in articles for this part number is based on the latest European Chemicals Agency (ECHA) 'Guidance on requirements for substances in articles' posted at this URL: <https://echa.europa.eu/guidance-documents/guidance-on-reach>

## Compatible Parts

 <p>TE Part # 170340-1 FF 250 TAB 20-14AWG BR WITHOUT LATCH</p>	 <p>TE Part # 170341-3 FF 250 TAB 14-12AWG PTBR WITHOUT LATCH</p>	 <p>TE Part # 170349-2 FF 250 TAB 22-20AWG TPBR WITHOUT LATCH</p>	 <p>TE Part # 170340-3 FF 250 TAB 20-14AWG PTBR WITHOUT LATCH</p>
 <p>TE Part # 170341-1 FF 250 TAB 14-12AWG BR WITHOUT LATCH</p>	 <p>TE Part # 170258-2 FF 250 REC 14-12AWG TPBR REREELING</p>	 <p>TE Part # 170258-1 FF 250 REC 14-12AWG BR REREELING</p>	 <p>TE Part # 880192-2 5 WAY FF 110 HSG REC NYLON 66 NATURAL</p>
 <p>TE Part # 968864-1 FF 110 REC HSG 2P NYLON NAT</p>	 <p>TE Part # 170349-1 FF 250 TAB 22-20AWG BR WITHOUT LATCH</p>	 <p>TE Part # 178024-7 FF 250 CAP HSG DBL 6P PLATE</p>	 <p>TE Part # 170341-4 FF 250 TAB 14-12AWG PTBR WITHOUT LATCH</p>

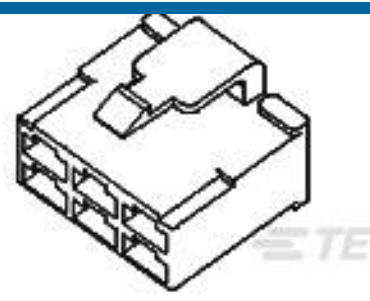
## Also in the Series | FASTIN-FASTON 250

 <p>Crimp Terminal Housings(218)</p>	 <p>Insertion &amp; Extraction Tools(2)</p>	 <p>PCB Terminals(2)</p>	 <p>Quick Disconnects(255)</p>
---	--	---	---

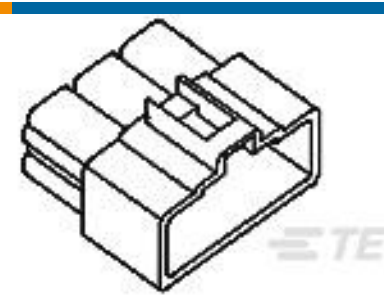
## Customers Also Bought



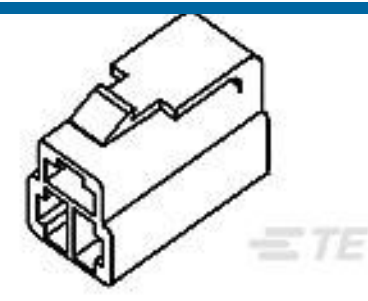
TE Part #172131-1  
FF 250 REC HSG 3P NYLON NAT



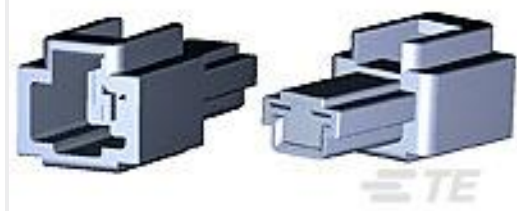
TE Part #172136-1  
FF 250 PLUG HSG 8P NYLON NAT



TE Part #172135-1  
FF 250 REC HSG 8P NYLON NAT



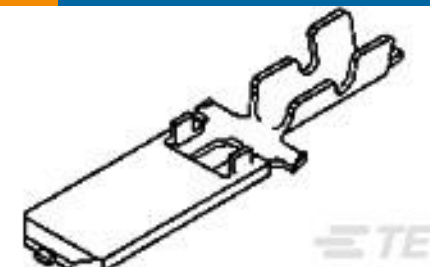
TE Part #172132-1  
FF 250 PLUG HSG 3P NYLON NAT



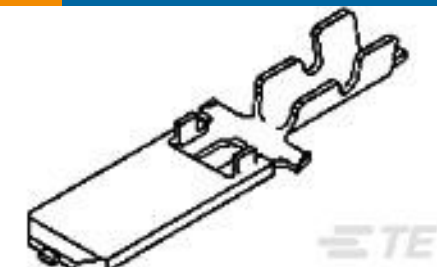
TE Part #172127-1  
FF 250 PLUG HSG 1P NYLON NAT



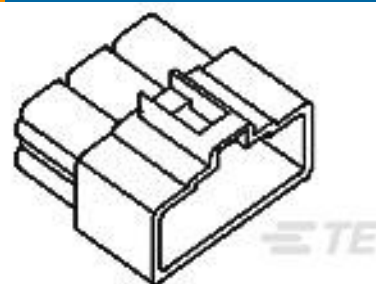
TE Part #170342-2  
250 FASTON,REC.,20-14 AWG,TPBR



TE Part #170341-3  
FF 250 TAB 14-12AWG PTBR  
WITHOUT LATCH



TE Part #170349-2  
FF 250 TAB 22-20AWG TPBR  
WITHOUT LATCH



TE Part #172133-2  
FF 250 REC HSG 4P NYLON BLACK



TE Part #170349-1  
FF 250 TAB 22-20AWG BR WITHOUT  
LATCH

## Documents

### CAD Files

#### Customer View Model

[ENG\\_CVM\\_CVM\\_172129-1\\_F.2d\\_dxf.zip](#)

English

### 3D PDF

3D

#### Customer View Model

[ENG\\_CVM\\_CVM\\_172129-1\\_F.3d\\_igs.zip](#)

English

#### Customer View Model

[ENG\\_CVM\\_CVM\\_172129-1\\_F.3d\\_stp.zip](#)

English

By downloading the CAD file I accept and agree to the [Terms and Conditions](#) of use.

### Datasheets & Catalog Pages

#### White Paper: Nylon Discoloration

English

### Product Specifications



### Application Specification

English

---

### Product Environmental Compliance

[MD\\_172129-1\\_03012017525\\_dmtec](#)

English

[MD\\_172129-1\\_03012017525\\_dmtec](#)

English

---

### Instruction Sheets

[Customer Manual \(non U.S.\)](#)

Japanese

["250" Series, Housing Lance Connector](#)

Japanese

---

### Agency Approvals

[UL Report](#)

English