

166873-5 ✓ ACTIVE

## EUROCARD

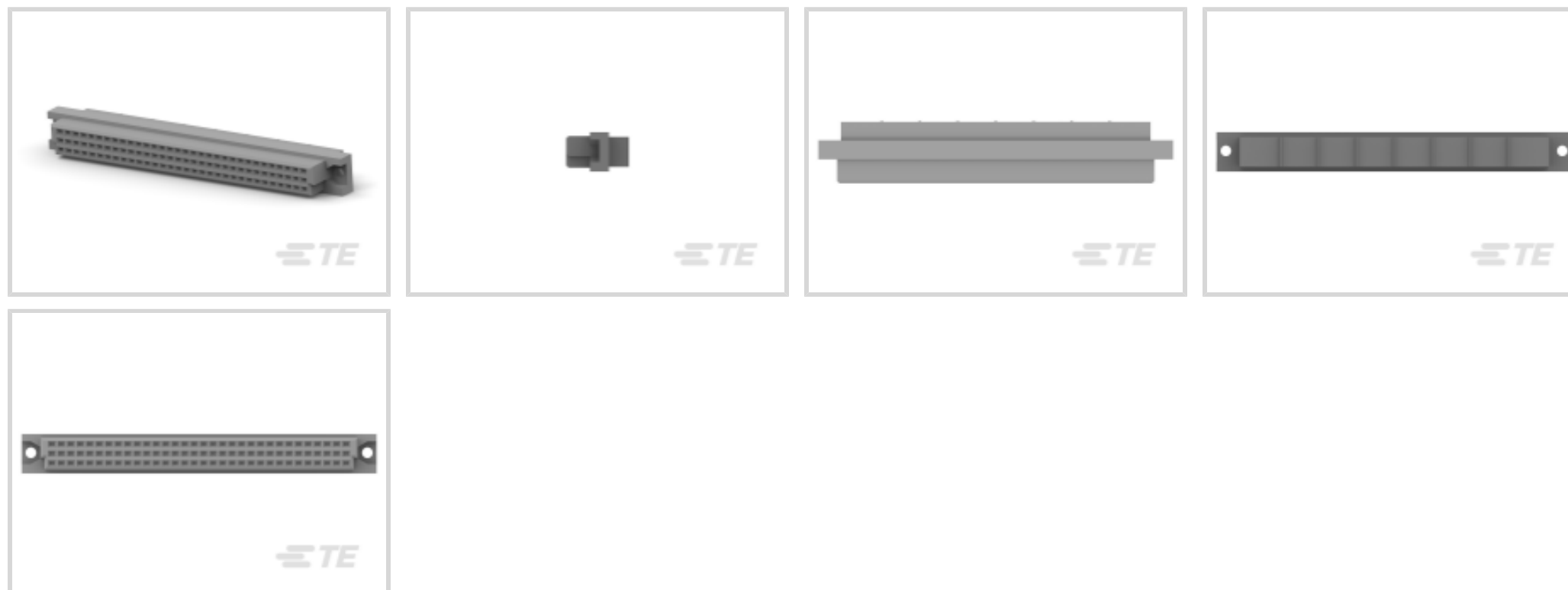
TE Internal #: 166873-5

Eurocard Connectors, Receptacle, Wire-to-Board, 96 Position, .1 in [2.54 mm] Centerline, Wire & Cable, 3 Row, Vertical, 32 Column, 96 Signal Positions

[View on TE.com >](#)



Connectors > PCB Connectors > Backplane Connectors > Eurocard Connectors



Connector & Housing Type: **Receptacle**

Connector System: **Wire-to-Board**

Number of Positions: **96**

Centerline (Pitch): **2.54 mm [.1 in]**

Sealable: **No**

### Features

#### Product Type Features

Connector & Housing Type	Receptacle
Connector System	Wire-to-Board
Sealable	No
Connector & Contact Terminates To	Wire & Cable
DIN Size	Standard
DIN Level	II

#### Configuration Features

Compatible With Wire & Cable Type	Discrete Wire
Number of Positions	96
Number of Rows	3
PCB Mount Orientation	Vertical
Number of Columns	32
Number of Signal Positions	96
Rows Loaded	A, B, C



### Contact Features

Contact Type	Socket
Wire Contact Termination Area Plating Material	Tin-Lead
Contact Mating Area Plating Material Thickness	.76 $\mu\text{m}$
Contact Mating Area Plating Material	Gold
Contact Base Material	Phosphor Bronze
Contact Current Rating (Max)	3 A

### Termination Features

Termination Method to Wire & Cable	Insulation Displacement (IDC) Discrete
------------------------------------	--

### Mechanical Attachment

Mating Alignment Type	Polarization
Mating Retention	With
Mating Alignment	With
PCB Mount Alignment	With
Panel Mount Feature	With
PCB Mount Retention	Without
Connector Mounting Type	Board Mount

### Housing Features

Housing Material	Polyester - GF
Centerline (Pitch)	2.54 mm[.1 in]

### Dimensions

Connector Height	16.4 mm
Wire Size	.12 – .4 mm <sup>2</sup>
Row-to-Row Spacing	2.54 mm[.1 in]

### Usage Conditions

Operating Temperature Range	-40 – 85 °C[-40 – 185 °F]
-----------------------------	---------------------------

### Operation/Application

Circuit Application	Signal
---------------------	--------

### Industry Standards

UL Flammability Rating	UL 94V-0
------------------------	----------

### Packaging Features

Packaging Method	Box
------------------	-----



## Product Compliance

[For compliance documentation, visit the product page on TE.com>](#)

EU RoHS Directive 2011/65/EU	Compliant
EU ELV Directive 2000/53/EC	Compliant
China RoHS 2 Directive MIIT Order No 32, 2016	No Restricted Materials Above Threshold
EU REACH Regulation (EC) No. 1907/2006	Current ECHA Candidate List: JUNE 2022 (224) Candidate List Declared Against: JAN 2022 (223) SVHC > Threshold: Not Yet Reviewed
Halogen Content	Low Halogen - Br, Cl, F, I < 900 ppm per homogenous material. Also BFR/CFR/PVC Free
Solder Process Capability	Not applicable for solder process capability

### Product Compliance Disclaimer

This information is provided based on reasonable inquiry of our suppliers and represents our current actual knowledge based on the information they provided. This information is subject to change. The part numbers that TE has identified as EU RoHS compliant have a maximum concentration of 0.1% by weight in homogenous materials for lead, hexavalent chromium, mercury, PBB, PBDE, DBP, BBP, DEHP, DIBP, and 0.01% for cadmium, or qualify for an exemption to these limits as defined in the Annexes of Directive 2011/65/EU (RoHS2). Finished electrical and electronic equipment products will be CE marked as required by Directive 2011/65/EU. Components may not be CE marked. Additionally, the part numbers that TE has identified as EU ELV compliant have a maximum concentration of 0.1% by weight in homogenous materials for lead, hexavalent chromium, and mercury, and 0.01% for cadmium, or qualify for an exemption to these limits as defined in the Annexes of Directive 2000/53/EC (ELV). Regarding the REACH Regulation, the information TE provides on SVHC in articles for this part number is based on the latest European Chemicals Agency (ECHA) 'Guidance on requirements for substances in articles' posted at this URL: <https://echa.europa.eu/guidance-documents/guidance-on-reach>

## Compatible Parts


 <p>TE Part # 650473-5 0% EURO TYPE C PIN ST ASSY</p>	 <p>TE Part # 5650473-5 ASSY,PIN,EUROCARD,TYPE C,LEAD-</p>	 <p>TE Part # 650947-5 0% EURO TYPE C PIN ST ASSY</p>	 <p>TE Part # 215605-4 %P.IEC-C MALE CONN</p>
--	--	--	--



TE Part # 5536405-5  
ASSY,PIN,EUROCARD,TYPE C,LEAD-



TE Part # 9-1393644-1  
V42254B1200C960=PC612 MESSERLE



TE Part # 5536010-5  
ASSY,PIN,EUROCARD,TYPE C,LEAD-



TE Part # 1-1393644-6  
V42254B1100C960=PC612 MESSERLE



TE Part # 650913-5  
096 EURO TYPE C PIN BL ASSY



TE Part # 8-1393644-3  
V42254B1200C910=PC612 MESSERLE



TE Part # 5536416-5  
ASSY,PIN,EURO,"C",LEAD-FREE,96



TE Part # 5650913-5  
ASSY,PIN,EUROCARD,TYPE C,LEAD-



TE Part # 5148116-5  
ASSY,PIN,EUROCARD,TYPE C,LEAD-FREE,96 PO



TE Part # 536010-5  
096 EURO TYPE C PIN HT ASSY



TE Part # 5536437-4  
ASSY,PIN,EUROCARD,TYPE C,LEAD-FREE,96 PO



TE Part # 8-1393640-9  
V42254B2201C910=PC612 FEDERLEI



TE Part # 536405-5  
096 EURO TYPE C PIN BL ASSY



TE Part # 148116-5  
096 EURO TYPE C PIN ST ASSY



TE Part # 166467-1  
96P.IEC-C MALE HSG.



TE Part # 536416-5  
096 EURO TYPE C PIN BL ASSY

### Customers Also Bought



TE Part #5748476-1  
KIT,PLUG,62P,HDP-22,SHLD ENCLS



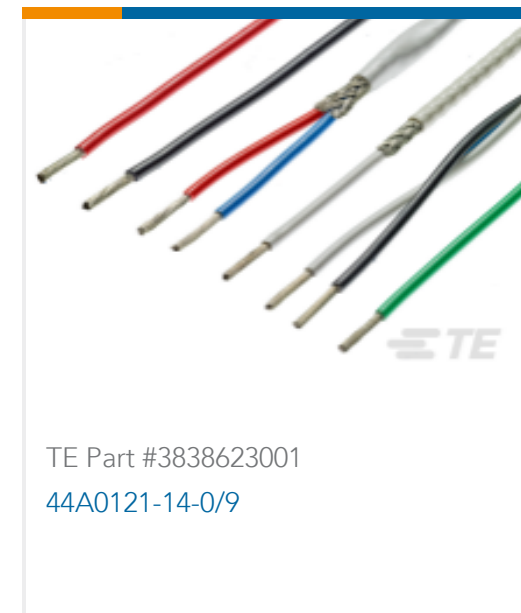
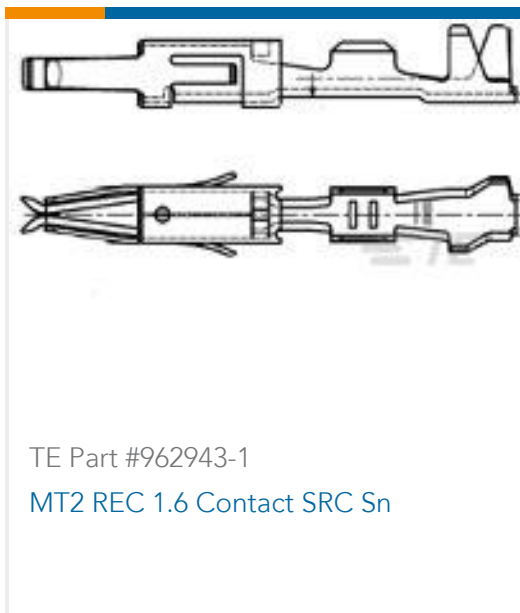
TE Part #4-1609153-9  
PS0S0DM6E=C7093



TE Part #2842142-3  
6P,2MM,BRK HDR,DRVT,SMD,0.1AU, TR W/CAP



TE Part #2-1437012-4  
609-006-1=HDW IDC JACKSOCKET A



## Documents

### Product Drawings

#### 96P.MT.CONN.KIT ASS

English

### CAD Files

#### Customer View Model

##### ENG\_CVM\_CVM\_166873-5\_E.2d\_dxf.zip

English

#### 3D PDF

3D

#### Customer View Model

##### ENG\_CVM\_CVM\_166873-5\_E.3d\_igs.zip

English

#### Customer View Model

##### ENG\_CVM\_CVM\_166873-5\_E.3d\_stp.zip

English

By downloading the CAD file I accept and agree to the [Terms and Conditions](#) of use.

### Product Specifications

#### 48 Pos. Receptacle Connector With 1 x 1 mm ACTION PIN Feature

English

#### Application Specification

English

### Product Environmental Compliance

#### Product Compliance

English

#### Product Compliance

English

### Agency Approvals

#### UL Report

English