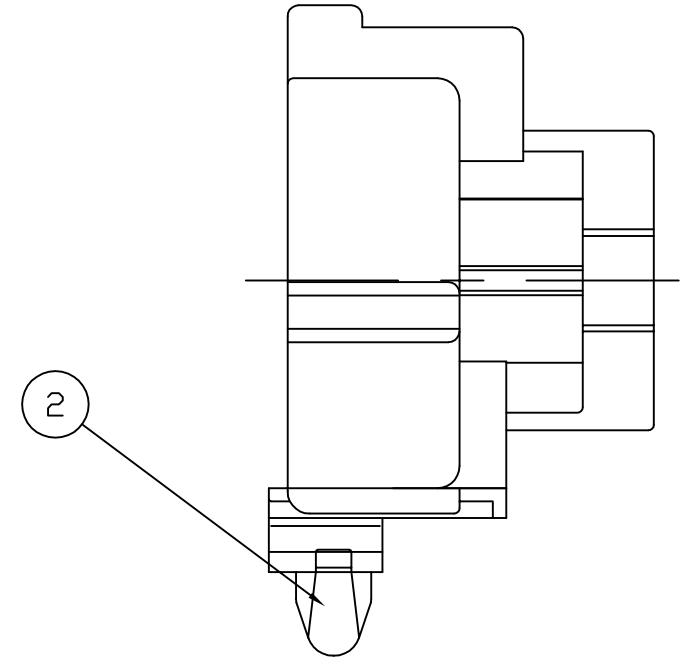
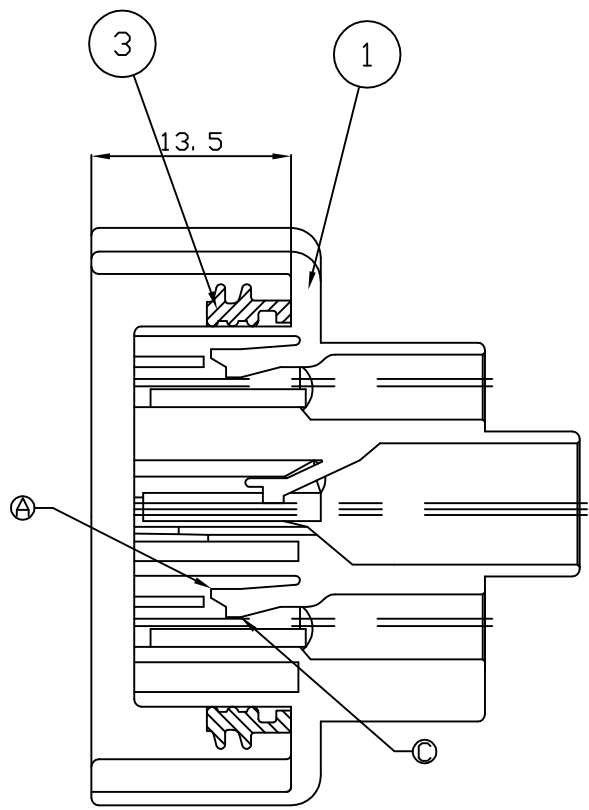
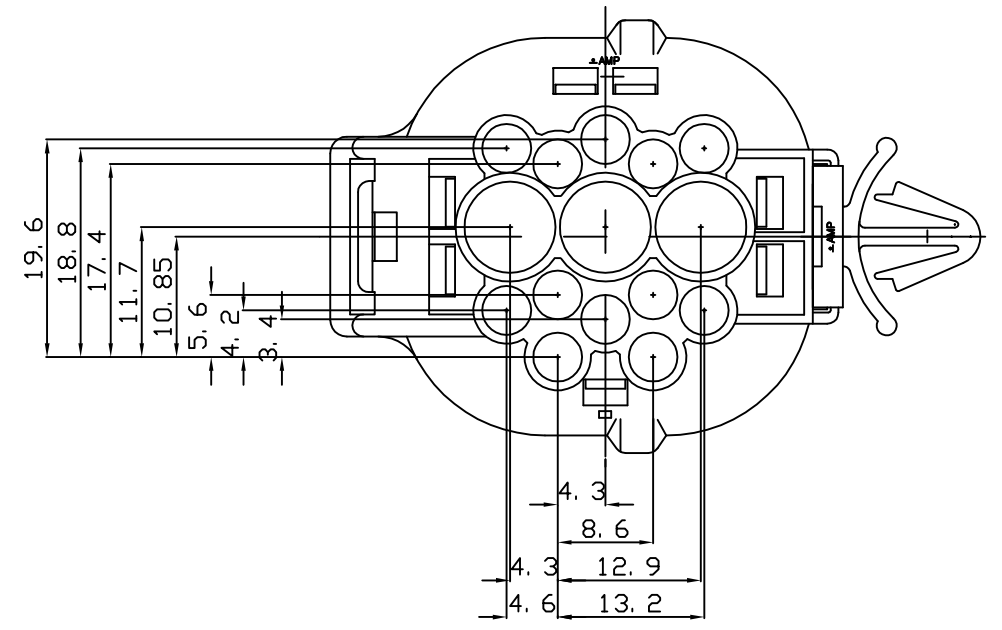
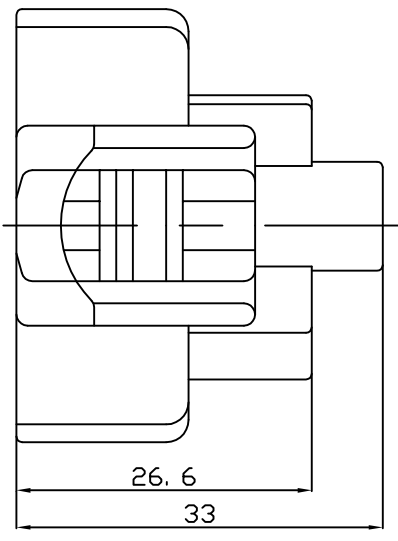
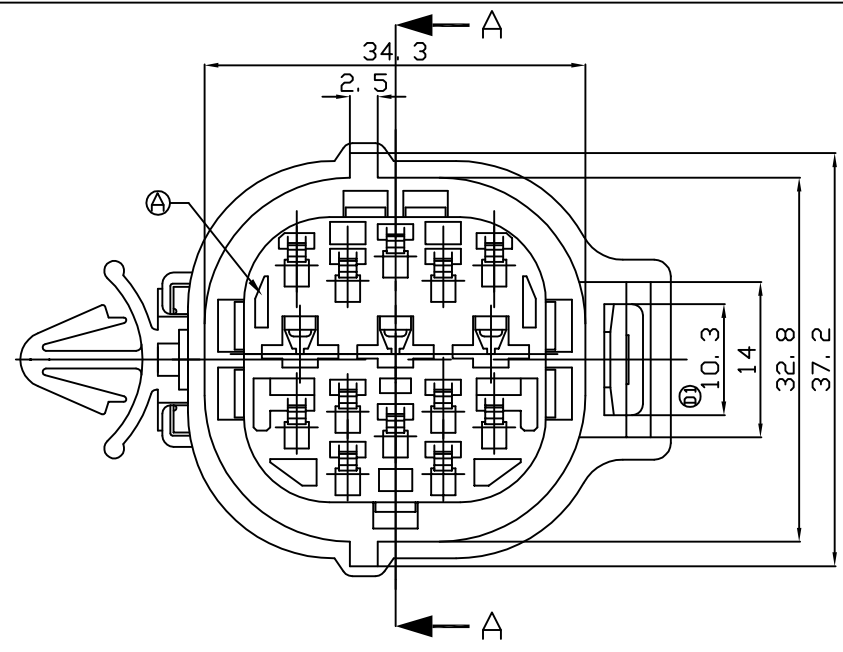


THIS DRAWING IS UNPUBLISHED. RELEASED FOR PUBLICATION
 © COPYRIGHT BY TYCO ELECTRONICS CORPORATION, ALL RIGHTS RESERVED.

LOC	DIST	REVISIONS					
		P	LTR	DESCRIPTION	DATE	DWN	APVD
DS	-		D	REVISED<ECR-11-008500>	21. MAY. '11	SJ	HG
			D1	REVISED<ECR-12-015554>	04. OCT. '12	JM	HG




NOTES

- FOR CAP HOUSING (P/N: 85264)
- THIS PART MUST BE USED WITH DOUBLE LOCK PLATE (P/N: 85223)
- APPLY P/N 85263-1<EJ MKII + 15P PLUG HSG> AND 172745-1<SEAL RING FOR EJ MKII + 15P PLUG HSG> TO ASSEMBLY P/N 2-85262-1.

CUSTOMER PART NUMBER < H 700 >	REMARK	NO	COLOR	MATERIAL	DESCRIPTION	PART. NO	REV	Q' TY	ASS'Y P/N	REV
5			BLACK	NBR	SEAL RING FOR EJ MKII(+15Pos PLUG HSG	172745-1	A	1	1	1
4			BLACK	PA66	CLIP HSG FOR EJ MKII(+15Pos PLUG HSG	368121-1	□		1	1
3			BLACK	PA66	CLIP HSG FOR EJ MKII(+15Pos PLUG HSG	85229-1	□			1
2			GRAY	PBT	EJ MKII(+15Pos PLUG HSG	85263-5	C	1	1	1
1			BLACK	PBT	EJ MKII(+15Pos PLUG HSG	85263-1	C		1	1

THIS DRAWING IS A CONTROLLED DOCUMENT FOR TYCO ELECTRONICS CORPORATION IT IS SUBJECT TO CHANGE AND THE CONTROLLING ENGINEERING ORGANIZATION SHOULD BE CONTACTED FOR THE LATEST REVISION.

DIMENSIONS: MM	TOLERANCES UNLESS OTHERWISE SPECIFIED: 0 <XX<10 ± 0.2 10<XX<30 ± 0.25 30<XX ± 0.3 ANGLES ± 3°	DWN JM JEON CHK JW JUNG APVD HG CHO	 TE Connectivity 070/250 15P PLUG ASS'Y ECONOSEAL J-MARKII CONN.
MATERIAL SEE TABLE	FINISH	PRODUCT SPEC - APPLICATION SPEC - WEIGHT - CUSTOMER DRAWING	
		SIZE A3 CAGE CODE 00779 DRAWING NO C-85262 RESTRICTED TO -	SCALE 1.5/1 SHEET 1 OF 1 REV D1