



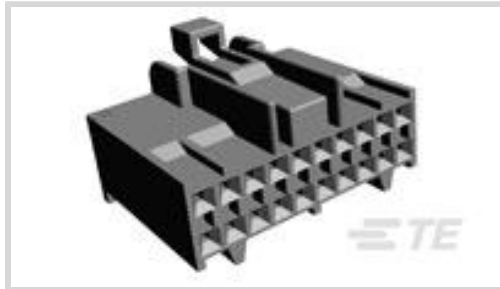
AMP

TE Internal #: 172047-2

Housing for Female Terminals, Wire-to-Device / Wire-to-Board, 20 Position, .118 in [3 mm] Centerline, Black, Signal, Cable Mount (Free-Hanging)

[View on TE.com >](#)

Connectors > Automotive Connectors > Connector Housings



Connector & Housing Type: **Housing for Female Terminals**

Mating Tab Width: **.64 mm, 1.5 mm [ .025 in, .059 in ]**

Connector System: **Wire-to-Board, Wire-to-Device**

Number of Positions: **20**

Centerline (Pitch): **3 mm [ .118 in ]**

**Features**

**Product Type Features**

Connector & Housing Shape	Rectangular
Connector & Housing Type	Housing for Female Terminals
Connector System	Wire-to-Board, Wire-to-Device
Sealable	No
Hybrid Connector	No
Primary Locking Feature	On the Terminal

**Configuration Features**

Number of Positions	20
Number of Rows	2

**Electrical Characteristics**

Operating Voltage	12 VDC
Nominal Voltage Architecture	12 V

**Body Features**

Cable Exit Angle	180°
Body Material	PA
Primary Product Color	Black

**Contact Features**

Contact Size	.64mm
--------------	-------



Contact Type	Receptacle
Mating Tab Width	.64 mm, 1.5 mm [.025 in][.059 in]

### Mechanical Attachment

Mounting Feature	Without
Terminal Position Assurance	No
Strain Relief	Without
Mating Alignment Type	Polarized
Mating Alignment	With
Connector Mounting Type	Cable Mount (Free-Hanging)

### Housing Features

Centerline (Pitch)	3 mm [.118 in]
--------------------	----------------

### Dimensions

Product Width	32 mm [1.26 in]
Product Height	19.7 mm [.776 in]
Row-to-Row Spacing	3.5 mm [.138 in]

### Usage Conditions

Operating Temperature (Max)	70 °C, 75 °C, 80 °C, 85 °C, 90 °C, 100 °C, 105 °C [158 °F][167 °F][176 °F][185 °F][194 °F] [212 °F][221 °F]
Operating Temperature Range	-30 – 105 °C [-22 – 221 °F]

### Operation/Application

Circuit Application	Signal
---------------------	--------

### Industry Standards

UL Flammability Rating	UL 94HB
------------------------	---------

### Packaging Features

Packaging Method	Loose Piece
------------------	-------------

### Other

Serviceable	Yes
Connector Position Assurance Capable	No

### Product Compliance

For compliance documentation, visit the product page on [TE.com](https://www.te.com)>

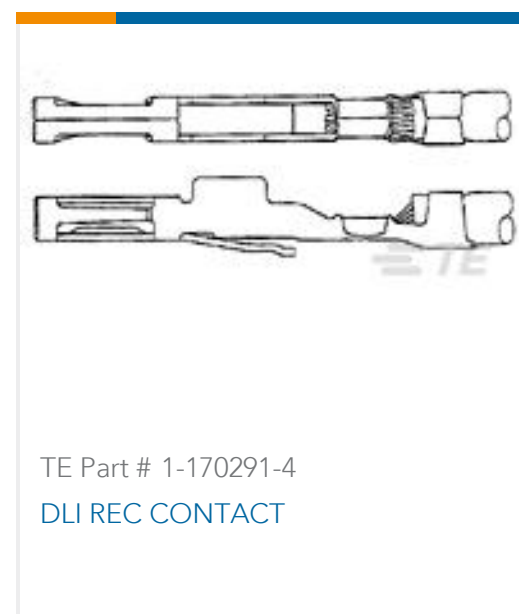
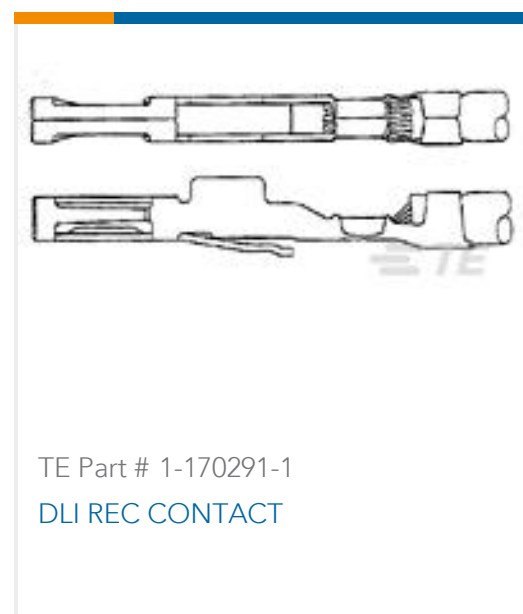


EU RoHS Directive 2011/65/EU	Compliant
EU ELV Directive 2000/53/EC	Compliant
China RoHS 2 Directive MIIT Order No 32, 2016	No Restricted Materials Above Threshold
EU REACH Regulation (EC) No. 1907/2006	Current ECHA Candidate List: JUNE 2022 (224) Candidate List Declared Against: JAN 2022 (223) SVHC > Threshold: Not Yet Reviewed
Halogen Content	Low Halogen - Br, Cl, F, I < 900 ppm per homogenous material. Also BFR/CFR/PVC Free
Solder Process Capability	Not applicable for solder process capability

Product Compliance Disclaimer

This information is provided based on reasonable inquiry of our suppliers and represents our current actual knowledge based on the information they provided. This information is subject to change. The part numbers that TE has identified as EU RoHS compliant have a maximum concentration of 0.1% by weight in homogenous materials for lead, hexavalent chromium, mercury, PBB, PBDE, DBP, BBP, DEHP, DIBP, and 0.01% for cadmium, or qualify for an exemption to these limits as defined in the Annexes of Directive 2011/65/EU (RoHS2). Finished electrical and electronic equipment products will be CE marked as required by Directive 2011/65/EU. Components may not be CE marked. Additionally, the part numbers that TE has identified as EU ELV compliant have a maximum concentration of 0.1% by weight in homogenous materials for lead, hexavalent chromium, and mercury, and 0.01% for cadmium, or qualify for an exemption to these limits as defined in the Annexes of Directive 2000/53/EC (ELV). Regarding the REACH Regulation, the information TE provides on SVHC in articles for this part number is based on the latest European Chemicals Agency (ECHA) 'Guidance on requirements for substances in articles' posted at this URL: <https://echa.europa.eu/guidance-documents/guidance-on-reach>

## Compatible Parts



## Customers Also Bought

 <p>TE Part #1-480276-0 06P CMNL CAP HSG P/M NATL</p>	 <p>TE Part #172496-1 MIC PLUG HSG 9P (MK II)</p>	<p>TE Part #172517-1 21P CAP HSG MK-II W/FLANGE</p>	<p>TE Part #172495-1 MIC MK-II PLUG HSG 7P NATURAL</p>
<p>TE Part #174396-2 MIC-MK2 DBL LOCK PLATE 7POS.</p>	 <p>TE Part #172245-2 12P DLI PLUG HSG</p>	<p>TE Part #174399-2 MIC-MK2 DBL LOCK PLATE 13POS.</p>	<p>TE Part #172498-1 MIC PLUG HSG 13P (MK II)</p>
<p>TE Part #174395-2 MIC-MK2 DBL LOCK PLATE 5P</p>	<p>TE Part #174397-2 MIC MK-2 DBL LOCK PLATE 9P</p>		

## Documents

### Product Drawings

DLI HSG 20 POS MOD IV TYPE

Japanese

### CAD Files

Customer View Model

[ENG\\_CVM\\_172047-2\\_O.3d\\_igs.zip](#)

English

Customer View Model

[ENG\\_CVM\\_172047-2\\_O.3d\\_stp.zip](#)

English

Customer View Model

[ENG\\_CVM\\_172047-2\\_O.2d\\_dxf.zip](#)

English

### 3D PDF

English

By downloading the CAD file I accept and agree to the [Terms and Conditions](#) of use.

## Product Specifications



**Product Specification**

Japanese

---

**Instruction Sheets**

**Customer Manual (non U.S.)**

Japanese

**Customer Manual (non U.S.)**

English

**DLI CONNECTORS**

English

**Customer Manual (non U.S.)**

English

**DLI CONNECTORS**

English

---

**Agency Approvals**

**Agency Approval Document**

English