

170327-1 ✓ ACTIVE

[Positive Lock](#) | [Positive Lock 250](#)

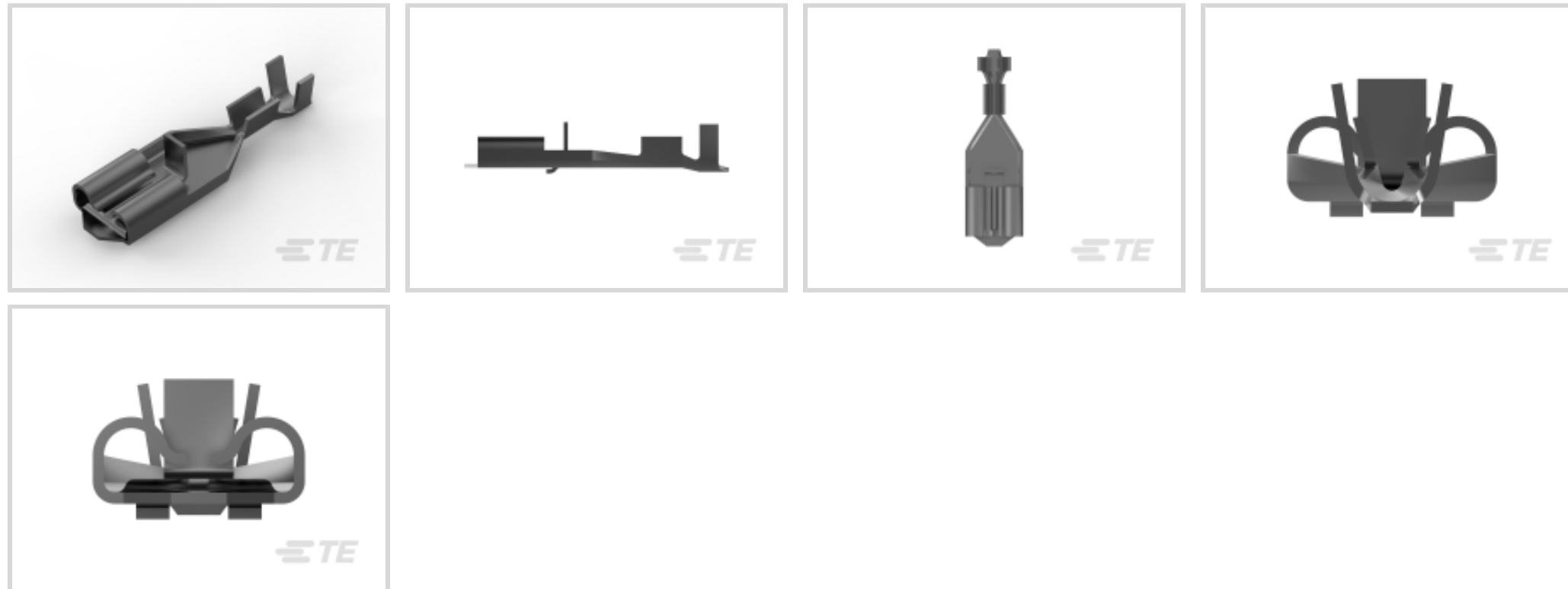
TE Internal #: 170327-1

Quick Disconnects, Receptacle, 22 – 18 AWG Wire Size, .32 – .82 mm<sup>2</sup> Wire Size, Mating Tab Width .25 in [6.35 mm], Straight, Brass, Positive Lock 250

[View on TE.com >](#)



Terminals & Splices > Quick Disconnects



Quick Disconnect Terminal Type: **Receptacle**

Wire Size: .32 – .82 mm<sup>2</sup>

Mating Tab Width: 6.35 mm [.25 in]

Mating Tab Thickness: .81 mm [.032 in]

## Features

### Product Type Features

Terminates To	Wire & Cable
Wire Stop	No
Wire/Cable Type	Regular Wire
Sealable	No

### Configuration Features

Connection Capacity	Single
---------------------	--------

### Contact Features

Quick Disconnect Terminal Type	Receptacle
Mating Tab Width	6.35 mm [.25 in]
Mating Tab Thickness	.81 mm [.032 in]
Terminal Orientation	Straight
Contact Base Material	Brass
Terminal Plating Material	Pre-Tin
Crimp Type	F-Crimp
Barrel Type	Open



### Mechanical Attachment

Wire Insulation Support	With
-------------------------	------

### Dimensions

Accepts Wire Insulation Diameter Range	1.5 – 3.1 mm [.059 – .122 in]
Overall Length	25.8 mm [1.01 in]
Receptacle Terminal Stock Thickness	.41 mm [.016 in]
Wire Size	.32 – .82 mm <sup>2</sup>

### Usage Conditions

Insulation Option	Uninsulated
Operating Temperature Range	-40 – 110 °C [-40 – 230 °F]

### Packaging Features

Packaging Quantity	4000
Packaging Method	Strip/Reel

### Other

Comment	Air-feed Applicator should be used.
---------	-------------------------------------

## Product Compliance

[For compliance documentation, visit the product page on TE.com>](#)

EU RoHS Directive 2011/65/EU	Compliant
EU ELV Directive 2000/53/EC	Compliant
China RoHS 2 Directive MIIT Order No 32, 2016	No Restricted Materials Above Threshold
EU REACH Regulation (EC) No. 1907/2006	Current ECHA Candidate List: JUNE 2022 (224) Candidate List Declared Against: JAN 2022 (223) SVHC > Threshold: Not Yet Reviewed
Halogen Content	Low Halogen - Br, Cl, F, I < 900 ppm per homogenous material. Also BFR/CFR/PVC Free
Solder Process Capability	Not applicable for solder process capability

#### Product Compliance Disclaimer

This information is provided based on reasonable inquiry of our suppliers and represents our current actual knowledge based on the information they provided. This information is subject to change. The part numbers that TE has identified as EU RoHS compliant have a maximum concentration of 0.1% by weight in homogenous materials for lead, hexavalent chromium, mercury, PBB, PBDE, DBP, BBP, DEHP, DIBP, and 0.01% for cadmium, or qualify for an exemption to these

limits as defined in the Annexes of Directive 2011/65/EU (RoHS2). Finished electrical and electronic equipment products will be CE marked as required by Directive 2011/65/EU. Components may not be CE marked. Additionally, the part numbers that TE has identified as EU ELV compliant have a maximum concentration of 0.1% by weight in homogenous materials for lead, hexavalent chromium, and mercury, and 0.01% for cadmium, or qualify for an exemption to these limits as defined in the Annexes of Directive 2000/53/EC (ELV). Regarding the REACH Regulation, the information TE provides on SVHC in articles for this part number is based on the latest European Chemicals Agency (ECHA) 'Guidance on requirements for substances in articles' posted at this URL: <https://echa.europa.eu/guidance-documents/guidance-on-reach>

## Compatible Parts



TE Part # 172076-6  
POSITIVE LOCK 250 HOUSING RECEPTACLE



TE Part # 172076-1  
POSITIVE LOCK 250 HOUSING RECEPTACLE



TE Part # 2-172076-1  
250 HSG. PL MKII REC. NAT



TE Part # 1969864-1  
2P, 250 SERIES, POSITIVE LOCK MARK II



TE Part # 2-521229-1  
PL EXII & FASTON 250 HSG 2P NAT



TE Part # 724659-2  
EXT TOOL FOR POSITIVE .250



TE Part # 2-172076-6  
PL 250 REC HSG 1P NYLON BLUE



TE Part # 2-172076-7  
POSITIVE LOCK 250 HOUSING RECEPTACLE



TE Part # 172076-2  
PL MKII 250 REC HSG 1P NYLON BLACK



TE Part # 2-172076-2  
POSITIVE LOCK 250 HOUSING RECEPTACLE



TE Part # 178833-1  
POSITIVE LOCK .250 HOUSING RECEPTACLE



TE Part # 521229-1  
PL 250 HOUSING RECEPTACLE NYLON 6/6



TE Part # 177627-1  
PL .250 (6.3 MM) HOUSING RECEPTACLE



TE Part # 172076-7  
PL MKII 250 REC HSG 1P NYLON RED



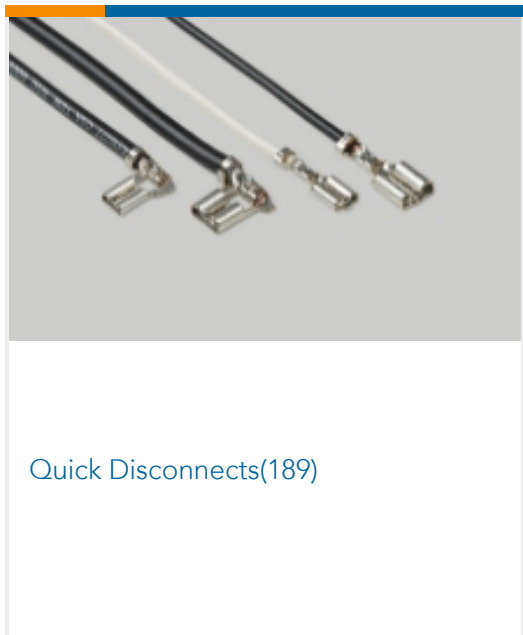
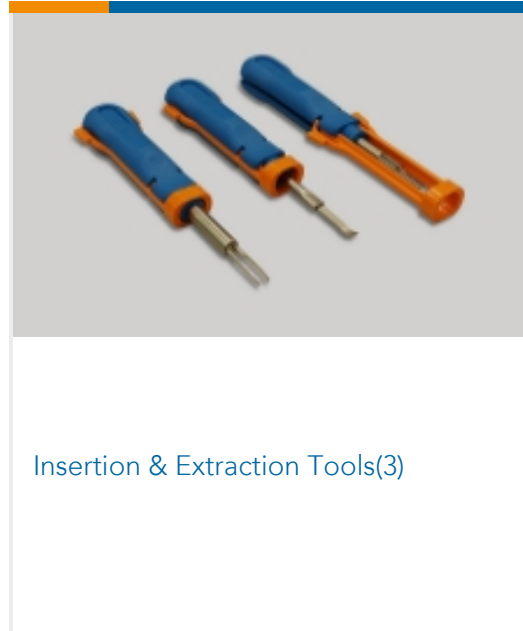
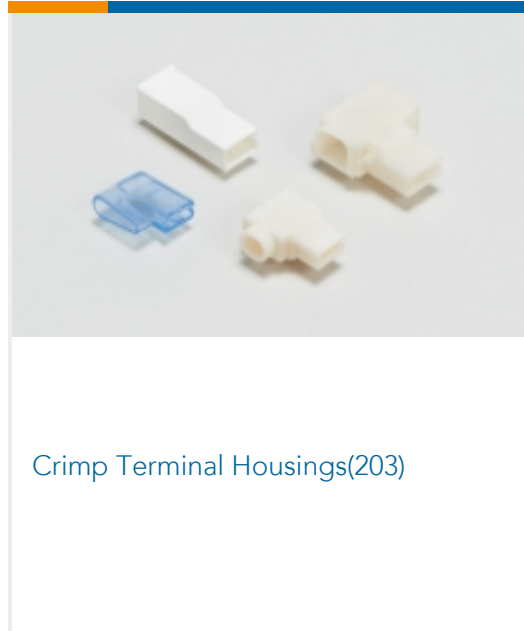
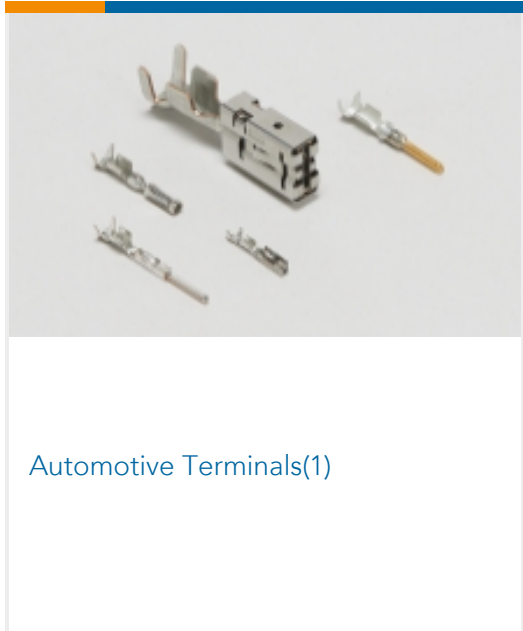
TE Part # 174429-1  
PL 250 HOUSING RECEPTACLE



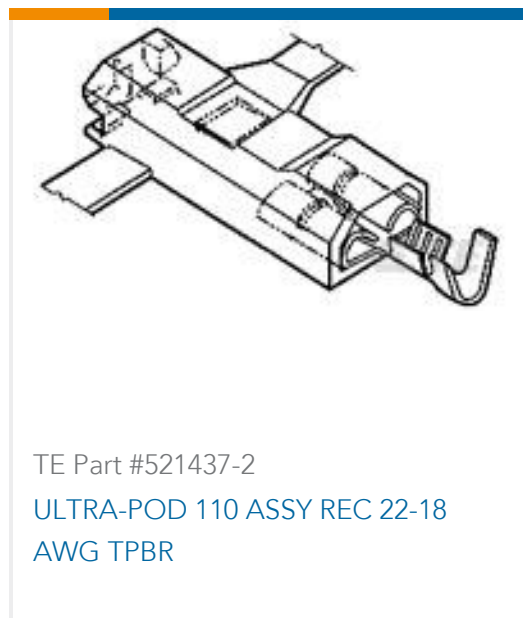
TE Part # 177627-7  
PL .250 (6.3 MM) HOUSING RECEPTACLE



Also in the Series | Positive Lock 250



Customers Also Bought





## Documents

### Product Drawings

[250 PL MKII REC. 22-18AWG PTBR](#)

Japanese

---

### CAD Files

[3D PDF](#)

3D

Customer View Model

[ENG\\_CVM\\_CVM\\_170327-1\\_V1.2d\\_dxf.zip](#)

English

Customer View Model

[ENG\\_CVM\\_CVM\\_170327-1\\_V1.3d\\_igs.zip](#)

English

Customer View Model

[ENG\\_CVM\\_CVM\\_170327-1\\_V1.3d\\_stp.zip](#)

English

By downloading the CAD file I accept and agree to the [Terms and Conditions](#) of use.

---

### Datasheets & Catalog Pages

[Positive Lock Receptacles](#)

English

[POS\\_LOCK\\_MII\\_QRG](#)

English

---

### Product Specifications

[Application Specification](#)

English

---

### Product Environmental Compliance

[MD\\_170327-1\\_053120181023\\_dmtec](#)

English

[MD\\_170327-1\\_053120181023\\_dmtec](#)

English

---

### Instruction Sheets

[Instruction Sheet \(non U.S.\)](#)

English

[AMP\\* POSITIVE LOCK CONNECTOR](#)

English

---

### Agency Approvals

[Agency Approval Document](#)

English