



SHUR-PLUG 156

TE Internal #: 170002-5

Crimp Wire Pins, Tabs & Ferrules, Shur-Plug, Pin Diameter 4 mm [.157 in], 20 – 14 AWG Wire Size, .5 – 2.27 mm² Wire Size, SHUR-PLUG 156

[View on TE.com >](#)

Terminals & Splices > Crimp Wire Pins, Tabs & Ferrules



Crimp Wire Pin, Tab & Ferrule Terminal Type: **Shur-Plug**

Pin Diameter: **4 mm** [.157 in]

Accepts Wire Insulation Diameter Range: **2.5 – 3.68 mm, 3.68 mm** [.098 – .145 in, .145 in]

Wire Size: **.5 – 2.27 mm²**

Features

Product Type Features

Compatible With Discrete Wire Type	Stranded
------------------------------------	----------

Configuration Features

Compatible With Wire & Cable Type	Discrete Wire
-----------------------------------	---------------

Contact Features

Crimp Wire Pin, Tab & Ferrule Terminal Type	Shur-Plug
Barrel Type	Open
Terminal Plating Material	Tin
Terminal Orientation	Straight

Mechanical Attachment

Wire Insulation Support	With
-------------------------	------

Dimensions

Pin Diameter	4 mm [.157 in]
Accepts Wire Insulation Diameter Range	2.5 – 3.68 mm, 3.68 mm [.098 – .145 in][.145 in]



Wire Size	1021 – 4106 CMA
Barrel Inside Diameter	3.69 mm[.145 in]
Terminal Material Thickness	.5 mm[.019 in]
Overall Product Length	19.3 mm[.76 in]

Usage Conditions

Insulation Option	Uninsulated
-------------------	-------------

Operation/Application

Heavy Duty	No
------------	----

Packaging Features

Packaging Quantity	5000
Packaging Method	Reel

Product Compliance

[For compliance documentation, visit the product page on TE.com>](#)

EU RoHS Directive 2011/65/EU	Compliant
EU ELV Directive 2000/53/EC	Compliant
China RoHS 2 Directive MIIT Order No 32, 2016	No Restricted Materials Above Threshold
EU REACH Regulation (EC) No. 1907/2006	Current ECHA Candidate List: JUNE 2022 (224) Candidate List Declared Against: JAN 2022 (223) SVHC > Threshold: Not Yet Reviewed
Halogen Content	Low Halogen - Br, Cl, F, I < 900 ppm per homogenous material. Also BFR/CFR/PVC Free
Solder Process Capability	Not applicable for solder process capability

Product Compliance Disclaimer

This information is provided based on reasonable inquiry of our suppliers and represents our current actual knowledge based on the information they provided. This information is subject to change. The part numbers that TE has identified as EU RoHS compliant have a maximum concentration of 0.1% by weight in homogenous materials for lead, hexavalent chromium, mercury, PBB, PBDE, DBP, BBP, DEHP, DIBP, and 0.01% for cadmium, or qualify for an exemption to these limits as defined in the Annexes of Directive 2011/65/EU (RoHS2). Finished electrical and electronic equipment products will be CE marked as required by Directive 2011/65/EU. Components may not be CE marked. Additionally, the part numbers that TE has identified as EU ELV compliant have a maximum concentration of 0.1% by weight in homogenous materials for lead, hexavalent chromium, and mercury, and 0.01% for cadmium, or qualify for an exemption to these limits as defined in the Annexes of Directive 2000/53/EC (ELV). Regarding the REACH Regulation, the information TE provides on SVHC in articles for this part number is based on the latest European Chemicals Agency (ECHA) 'Guidance on requirements for substances in articles' posted at this URL: <https://echa.europa.eu/guidance-documents/guidance-on-reach>

Compatible Parts



TE Part # 2-2150012-1
OCEAN_2.0_APPLICATOR-E-110F180F



TE Part # 2-2150012-2
OCEAN_2.0_APPLICATOR-E-110F180FA



TE Part # 2150012-1
OCEAN_2.0_APPLICATOR-E-110F180F



TE Part # 2150012-2
OCEAN_2.0_APPLICATOR-E-110F180FA



TE Part # 7-2150012-1
OCEAN_2.0_APPLICATOR-E-110F180F



TE Part # 7-2150012-2
OCEAN_2.0_APPLICATOR-E-110F180FA

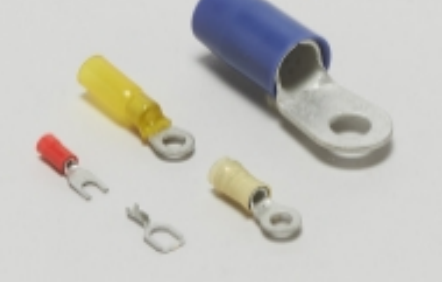


TE Part # 881720-3
180 SHUR PWG RECEPT


Also in the Series | SHUR-PLUG 156



Crimp Wire Pins, Tabs & Ferrules(24)



Ring Terminals & Spade Terminals(6)



Special Purpose Terminals(1)

Customers Also Bought



TE Part #1554723-1
1.0 SEALED RECEPTACLE CONTACT



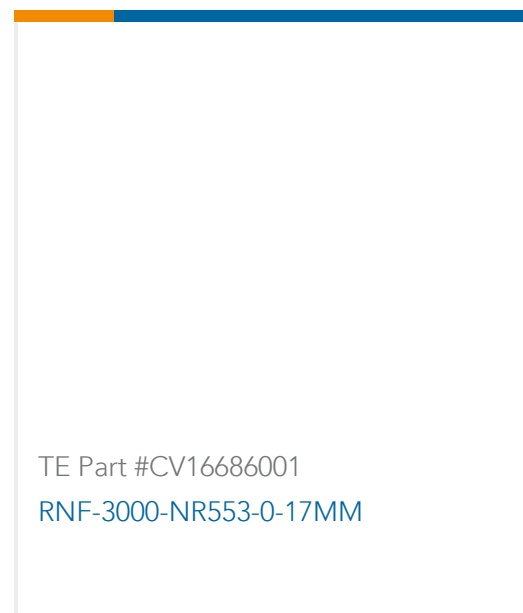
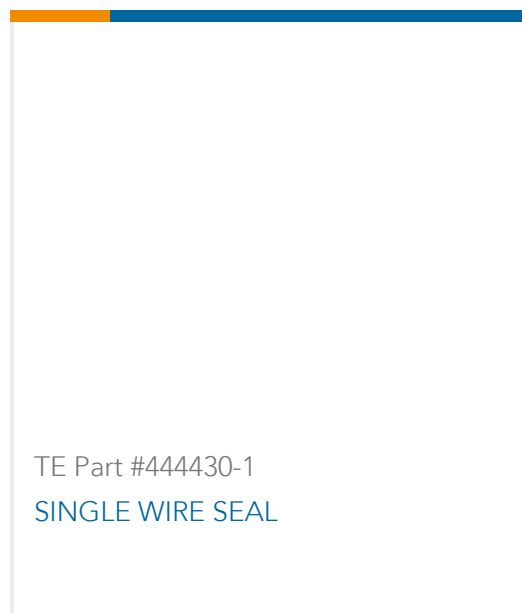
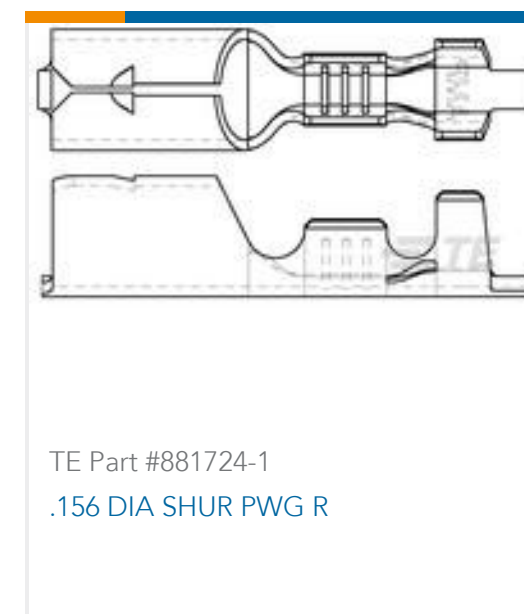
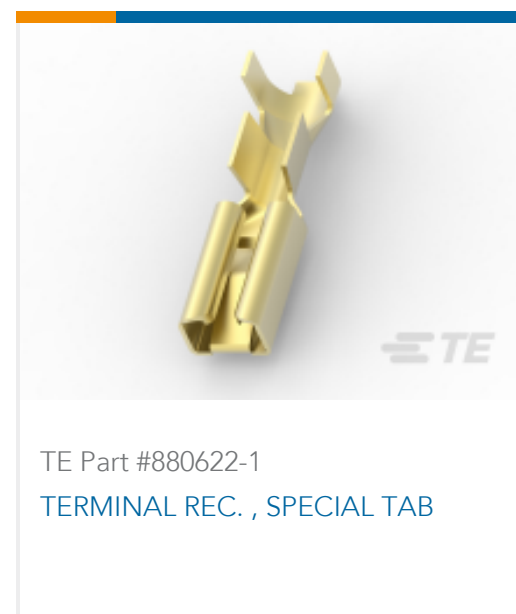
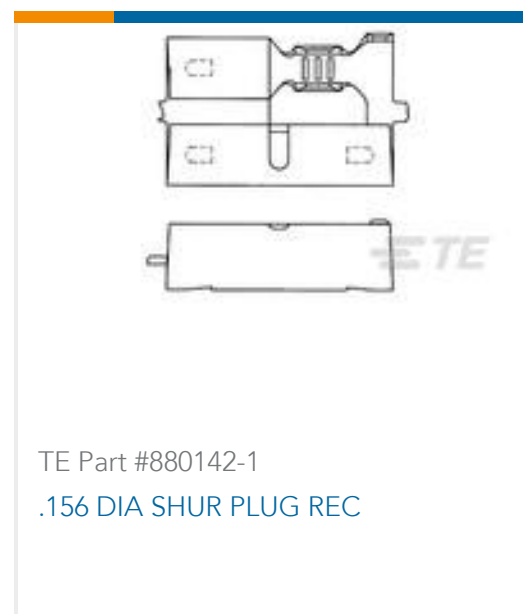
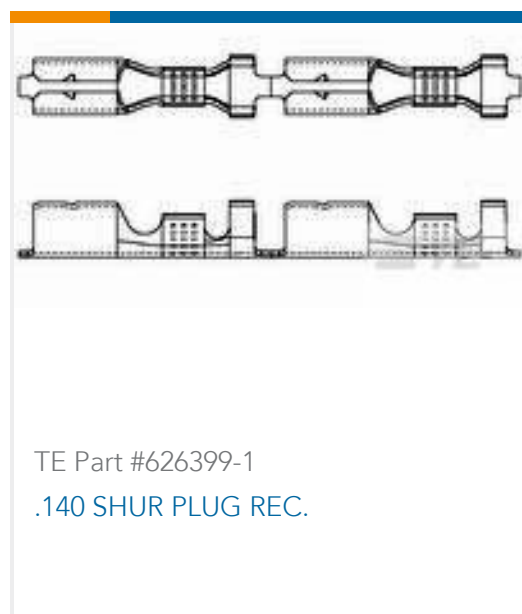
TE Part #1599182-1
.110 TAB TERMINAL , PLAIN



TE Part #3-2112780-7
18POS, MIXED,REC HSG,ASSY, SEALED



TE Part #170002-7
TERMINAL GROUP NUMBER



Documents

Product Drawings

[SHUR PLUG 20-14 AWG 0.5 X 11.44 TPBR](#)

English

CAD Files

[3D PDF](#)

3D

Customer View Model

[ENG_CVM_CVM_170002-5_AD.2d_dxf.zip](#)

English

Customer View Model

[ENG_CVM_CVM_170002-5_AD.3d_igs.zip](#)

English

Customer View Model

[ENG_CVM_CVM_170002-5_AD.3d_stp.zip](#)

English

By downloading the CAD file I accept and agree to the [Terms and Conditions](#) of use.

Product Specifications

[Product Specification](#)

English

No title

English

Product Environmental Compliance

[Product Compliance](#)

English

170002-5

Crimp Wire Pins, Tabs & Ferrules, Shur-Plug, Pin Diameter 4 mm [.157 in], 20 – 14 AWG Wire Size, .5 – 2.27 mm² Wire Size, SHUR-PLUG 156



Product Compliance

English