

172236-2 ✓ ACTIVE

[Positive Lock](#) | [Positive Lock 312](#)

TE Internal #: 172236-2

Crimp Terminal Housings, Receptacle, Receptacle, 3 Position, Straight, UL 94V-2, Black, Nylon, Contact Mating Retention, Positive Lock 312

[View on TE.com >](#)



Terminals & Splices > Terminal Housings, Insulation Sleeves & Blocks > Crimp Terminal Housings



Terminal Type: **Receptacle**

Housing Type: **Receptacle**

Number of Positions: **3**

Terminal Orientation: **Straight**

UL Flammability Rating: **UL 94V-2**

## Features

### Product Type Features

Terminates To	Wire & Cable
Product Type	Terminal Housing
Sealable	No
Connector System	Wire-to-Board, Wire-to-Wire
Housing Type	Receptacle
Insulated	No

### Configuration Features

Number of Positions	3
---------------------	---

### Body Features

Primary Product Color	Black
-----------------------	-------

### Contact Features

Terminal Type	Receptacle
Terminal Orientation	Straight
Contact Mating Retention	With

### Mechanical Attachment

Mating Alignment Type	Polarization
Mating Alignment	With
Crimp Terminal Housing Mounting Style	Cable Mount (Free-Hanging)

### Housing Features

Housing Material	Nylon
Centerline (Pitch)	8.32 mm [.327 in]

### Usage Conditions

Operating Temperature Range	-40 – 105 °C [-40 – 221 °F]
-----------------------------	-----------------------------

### Industry Standards

UL Flammability Rating	UL 94V-2
------------------------	----------

### Packaging Features

Packaging Quantity	100
--------------------	-----

## Product Compliance

[For compliance documentation, visit the product page on TE.com>](#)

EU RoHS Directive 2011/65/EU	Compliant
EU ELV Directive 2000/53/EC	Compliant
China RoHS 2 Directive MIIT Order No 32, 2016	No Restricted Materials Above Threshold
EU REACH Regulation (EC) No. 1907/2006	Current ECHA Candidate List: JUNE 2022 (224) Candidate List Declared Against: JAN 2022 (223) SVHC > Threshold: Not Yet Reviewed
Halogen Content	Low Halogen - Br, Cl, F, I < 900 ppm per homogenous material. Also BFR/CFR/PVC Free
Solder Process Capability	Not applicable for solder process capability

#### Product Compliance Disclaimer

This information is provided based on reasonable inquiry of our suppliers and represents our current actual knowledge based on the information they provided. This information is subject to change. The part numbers that TE has identified as EU RoHS compliant have a maximum concentration of 0.1% by weight in homogenous materials for lead, hexavalent chromium, mercury, PBB, PBDE, DBP, BBP, DEHP, DIBP, and 0.01% for cadmium, or qualify for an exemption to these limits as defined in the Annexes of Directive 2011/65/EU (RoHS2). Finished electrical and electronic equipment products will be CE marked as required by Directive 2011/65/EU. Components may not be CE marked. Additionally, the part numbers that TE has identified as EU ELV compliant have a maximum concentration of 0.1% by weight in homogenous materials for lead, hexavalent chromium, and mercury, and 0.01% for cadmium, or qualify for an exemption to these limits

as defined in the Annexes of Directive 2000/53/EC (ELV). Regarding the REACH Regulation, the information TE provides on SVHC in articles for this part number is based on the latest European Chemicals Agency (ECHA) 'Guidance on requirements for substances in articles' posted at this URL: <https://echa.europa.eu/guidance-documents/guidance-on-reach>

## Compatible Parts



TE Part # 170381-1  
PL .312 REC AV 0.5-2 MM2 PRE-TPBR



TE Part # 927389-1  
PL 3P HOUSING PA66 BLACK



TE Part # 927422-1  
POSITIVE LOCK 3P HOUSING PA6.6 BLACK

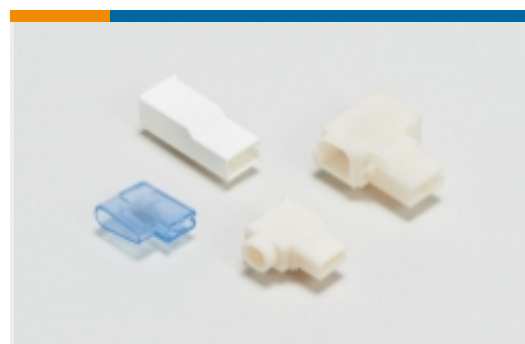


TE Part # 172863-8  
250 P.LOCK MK-II 1P HSG RED



TE Part # 724719-1  
EXT.TOOL FOR SHIELD BEAM

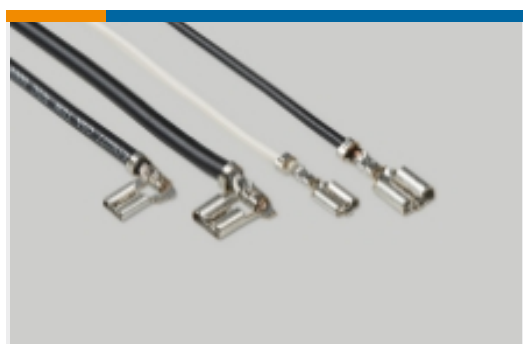
## Also in the Series | Positive Lock 312



Crimp Terminal Housings(4)



Insertion & Extraction Tools(1)

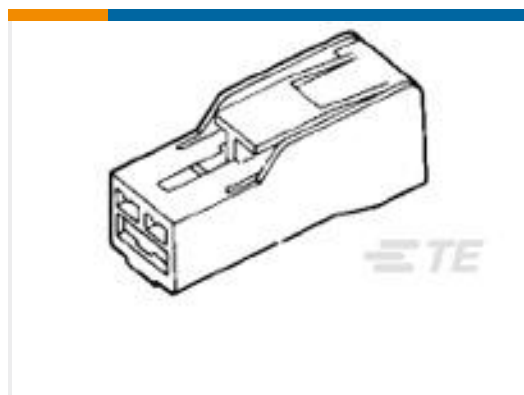


Quick Disconnects(7)

## Customers Also Bought



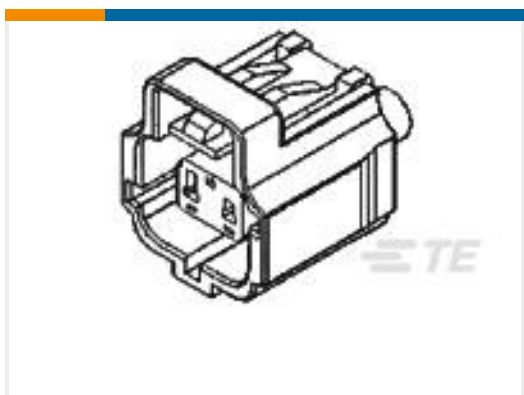
TE Part #2098557-1  
2POS, MCON 1.2 CB REC 2p TL SEALED



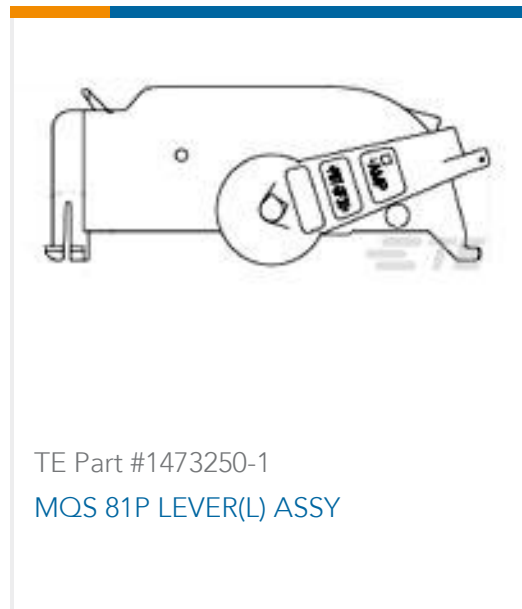
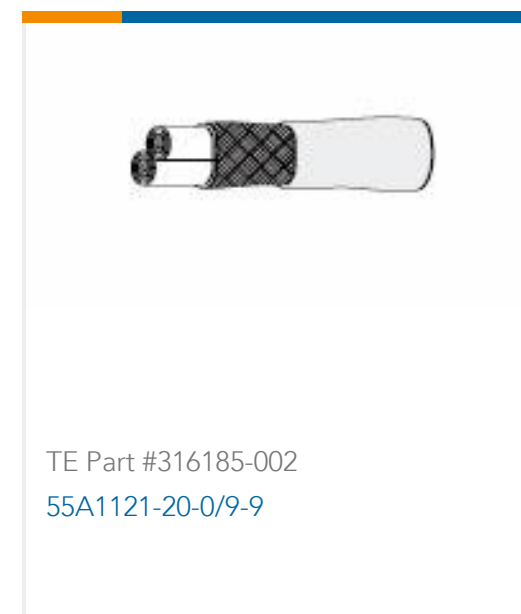
TE Part #172320-2  
POSITIVE LOCK 250 (6.3 MM) HOUSING



TE Part #HD16-9-1939S-P080  
PLUG ASM



TE Part #178449-6  
EJ-2 DBL LOCK PLUG 2P ASSY D



## Documents

### Product Drawings

#### POSITIVE LOCK 312 HOUSING

English

### CAD Files

#### 3D PDF

3D

#### Customer View Model

[ENG\\_CVM\\_CVM\\_172236-2\\_F.2d\\_dxf.zip](#)

English

#### Customer View Model

[ENG\\_CVM\\_CVM\\_172236-2\\_F.3d\\_igs.zip](#)

English

#### Customer View Model

[ENG\\_CVM\\_CVM\\_172236-2\\_F.3d\\_stp.zip](#)

English

By downloading the CAD file I accept and agree to the [Terms and Conditions](#) of use.

### Product Specifications

#### Product Specification

English

#### 3-Position, Sealed Beam Connector

Japanese

#### Product Specification

English

#### JAPANESE

English



---

**Product Environmental Compliance**

**Product Compliance**

English

**Product Compliance**

English