

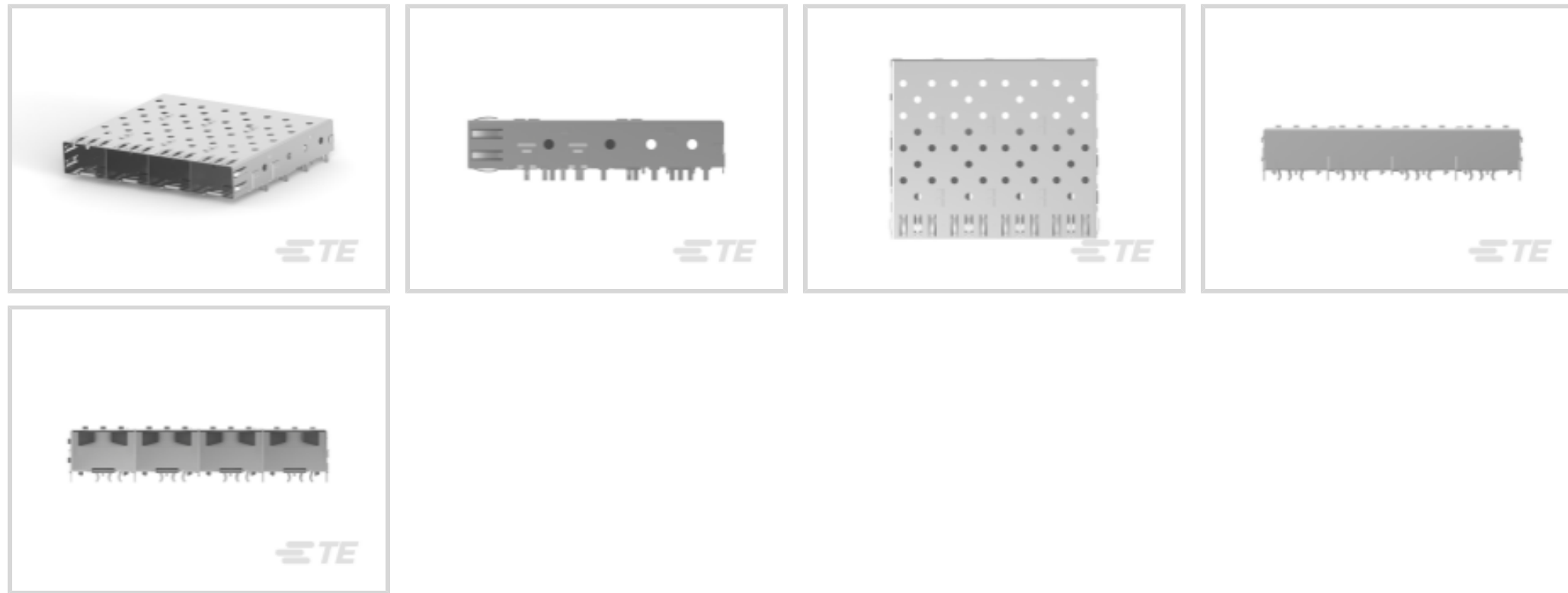


TE Internal #: 1658744-3

SFP, SFP+ & zSFP+, Cage Assembly, Data Rate (Max) 4 Gb/s, EMI Springs, SFP, 1 x 4, Through Hole - Press-Fit Mount, 4 Port, Cable-to-Board

[View on TE.com >](#)

Connectors > Pluggable IO Connectors & Cages > SFP, SFP+ & zSFP+



Pluggable I/O Product Type: **Cage Assembly**

Data Rate (Max): **4 Gb/s**

EMI Containment Feature Type: **EMI Springs**

Pluggable I/O Applications: **SFP**

Included Lightpipe: **No**

Features

Product Type Features

Form Factor	SFP
Cage Type	Ganged
Pluggable I/O Product Type	Cage Assembly
Integrated Lightpipes	No
Connector System	Cable-to-Board
Sealable	No
Connector & Contact Terminates To	Printed Circuit Board

Configuration Features

Port Matrix Configuration	1 x 4
Number of Ports	4

Electrical Characteristics

Data Rate (Max)	4 Gb/s
-----------------	--------

Termination Features

Termination Method to Printed Circuit Board	Through Hole - Press-Fit
---	--------------------------



Mechanical Attachment

PCB Mounting Style	Through Hole - Press-Fit
Connector Mounting Type	Board Mount

Usage Conditions

Operating Temperature Range	-55 – 85 °C[-67 – 185 °F]
-----------------------------	---------------------------

Operation/Application

Pluggable I/O Applications	SFP
Circuit Application	Signal

Other

EMI Containment Feature Type	EMI Springs
Included Lightpipe	No

Product Compliance

[For compliance documentation, visit the product page on TE.com>](#)

EU RoHS Directive 2011/65/EU	Compliant
EU ELV Directive 2000/53/EC	Compliant
China RoHS 2 Directive MIIT Order No 32, 2016	No Restricted Materials Above Threshold
EU REACH Regulation (EC) No. 1907/2006	Current ECHA Candidate List: JUNE 2022 (224) Candidate List Declared Against: JAN 2022 (223) SVHC > Threshold: Not Yet Reviewed
Halogen Content	Low Halogen - Br, Cl, F, I < 900 ppm per homogenous material. Also BFR/CFR/PVC Free
Solder Process Capability	Not applicable for solder process capability

Product Compliance Disclaimer

This information is provided based on reasonable inquiry of our suppliers and represents our current actual knowledge based on the information they provided. This information is subject to change. The part numbers that TE has identified as EU RoHS compliant have a maximum concentration of 0.1% by weight in homogenous materials for lead, hexavalent chromium, mercury, PBB, PBDE, DBP, BBP, DEHP, DIBP, and 0.01% for cadmium, or qualify for an exemption to these limits as defined in the Annexes of Directive 2011/65/EU (RoHS2). Finished electrical and electronic equipment products will be CE marked as required by Directive 2011/65/EU. Components may not be CE marked. Additionally, the part numbers that TE has identified as EU ELV compliant have a maximum concentration of 0.1% by weight in homogenous materials for lead, hexavalent chromium, and mercury, and 0.01% for cadmium, or qualify for an exemption to these limits as defined in the Annexes of Directive 2000/53/EC (ELV). Regarding the REACH Regulation, the information TE provides on SVHC in articles for this part number is based on the latest European Chemicals Agency (ECHA) 'Guidance on requirements for substances in articles' posted at this URL: <https://echa.europa.eu/guidance-documents/guidance-on-reach>

Compatible Parts



TE Part # 1367147-1
SFP COVER, UNPLATED



TE Part # 1367147-3
SFP COVER, UNPL, NO LOGO



TE Part # 1761394-1
DUST COVER, SFP, GANGED &
STACKED

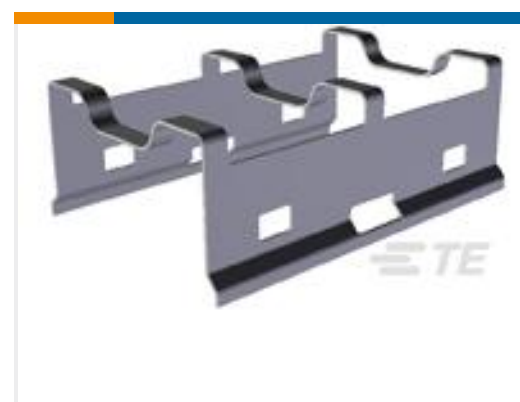


TE Part # 2185239-4
ASSY, SEATING TOOL, SFP+

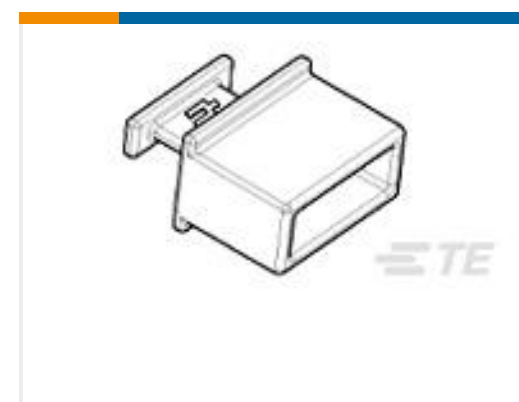
Customers Also Bought



TE Part #1489951-1
XFP CAGE ASSEMBLY



TE Part #1489948-2
XFP HEAT SINK CLIP, PLATED



TE Part #1888810-2
EMI/Dust Cover,XFP And QSFP



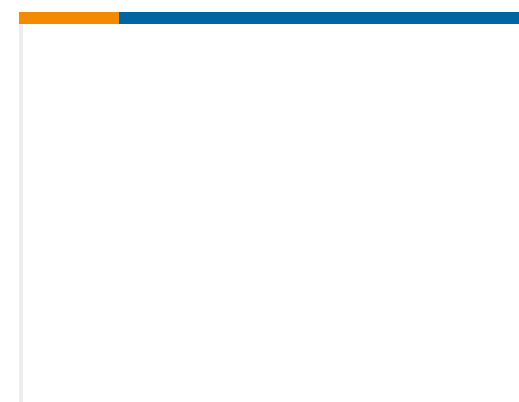
TE Part #3-644487-0
10P MTA100 SHRD HDR ASSY 30AU



TE Part #2227302-3
CAGE ASSY, PRESS FIT, SFP



TE Part #2201945-1
RECEPTACLE ASSEMBLY, 5 PAIR, 8
COLUMN



TE Part #5646347-9
2MM HM,ASY,T-E,HDR,08R,200,AP

Documents

Product Drawings

SFP 1X4 CAGE ASSY

English

CAD Files

3D PDF

3D

Customer View Model

[ENG_CVM_CVM_1658744-3_F.2d_dxf.zip](#)

English

Customer View Model

[ENG_CVM_CVM_1658744-3_F.3d_igs.zip](#)

English

Customer View Model

[ENG_CVM_CVM_1658744-3_F.3d_stp.zip](#)



English

By downloading the CAD file I accept and agree to the [Terms and Conditions](#) of use.

Product Specifications

[Application Specification](#)

English

Product Environmental Compliance

[MD_1658744-3_10212015010_dmtec](#)

English

[MD_1658744-3_10212015010_dmtec](#)

English