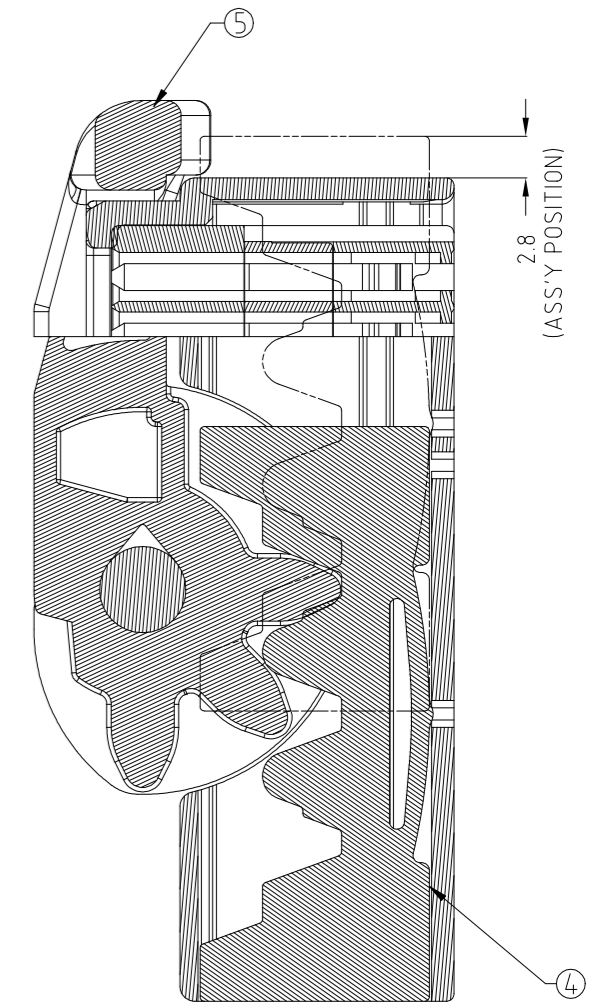
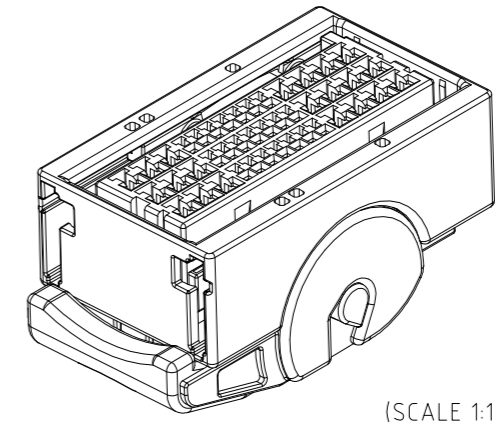
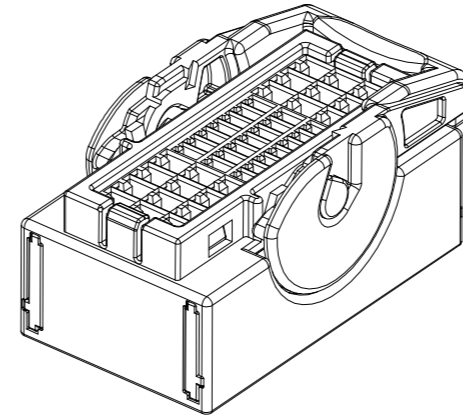
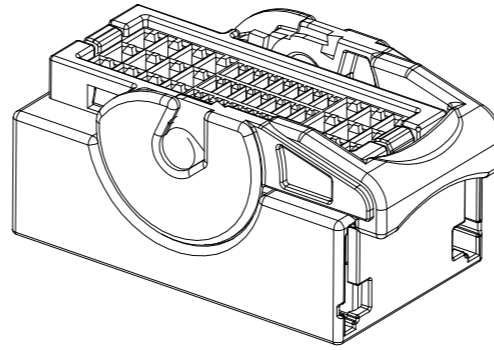
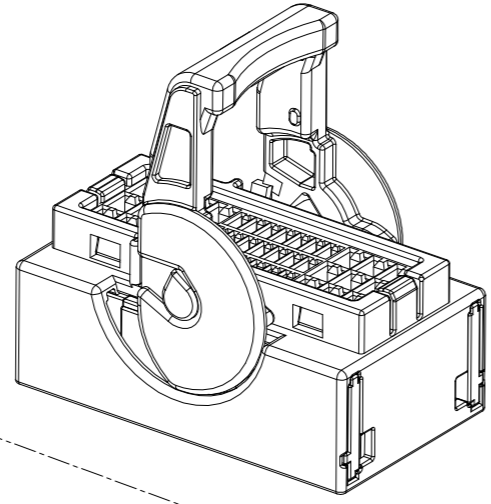
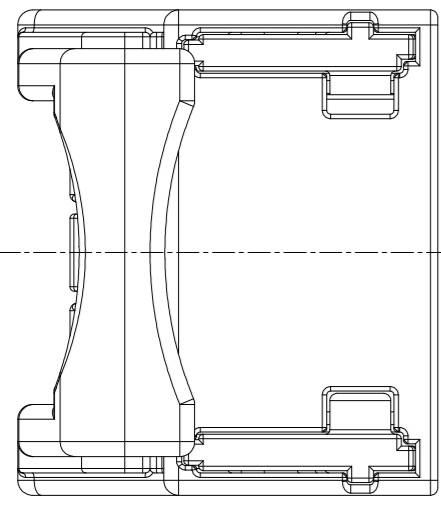
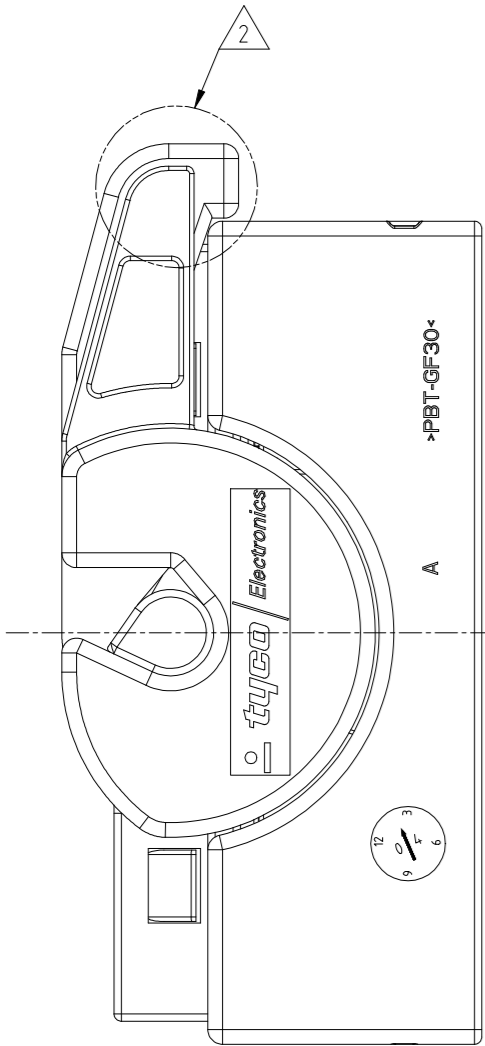


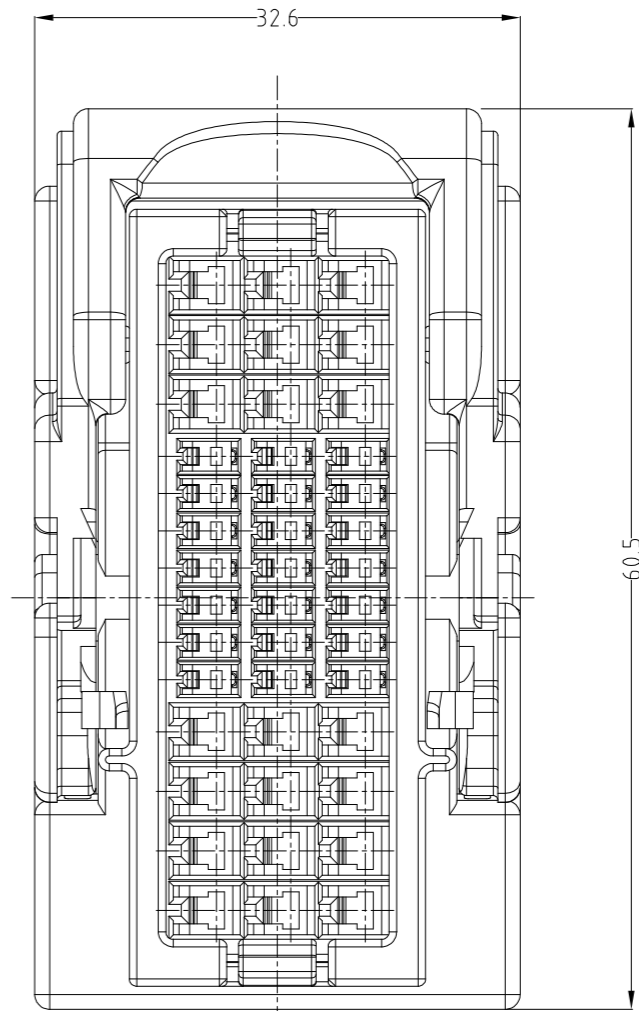
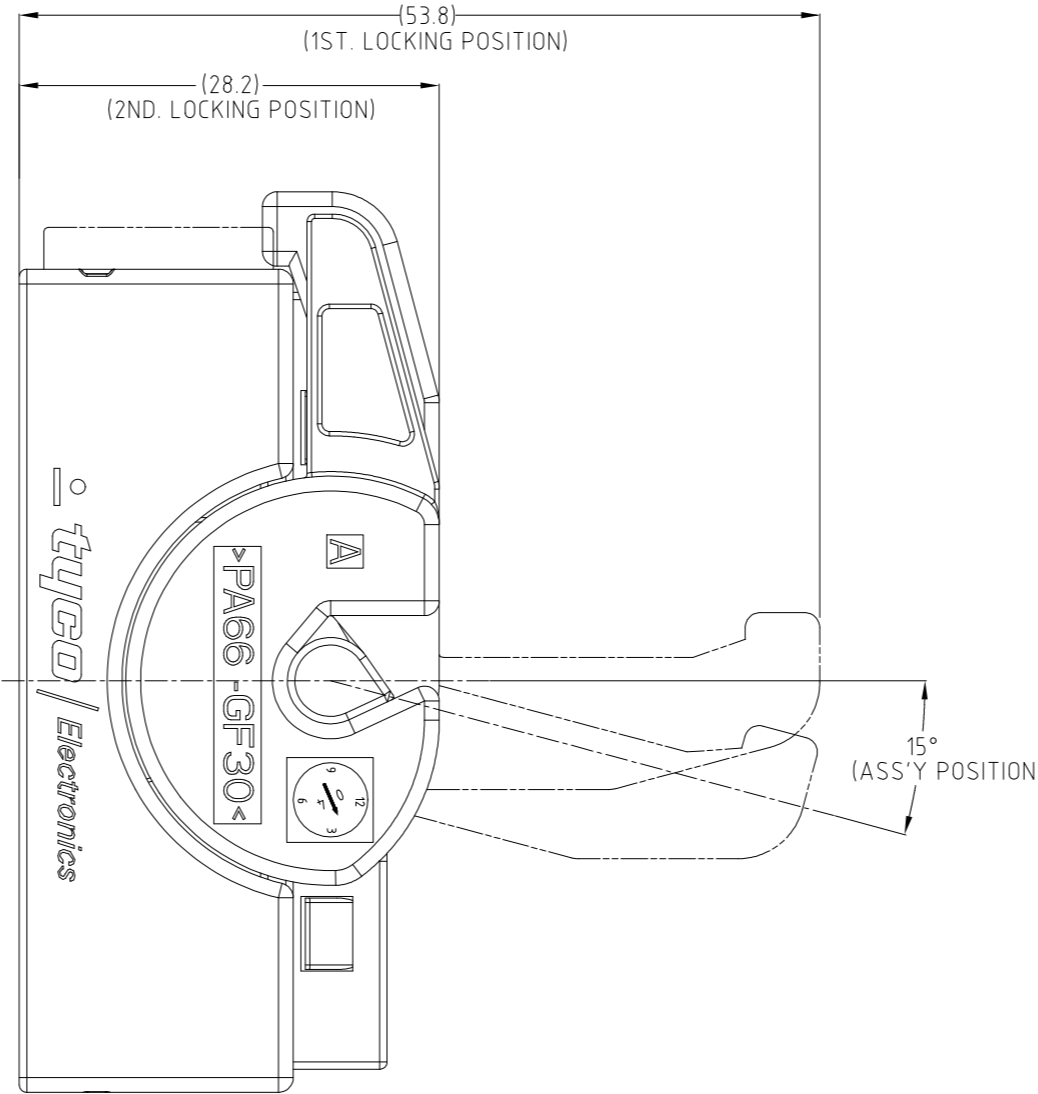
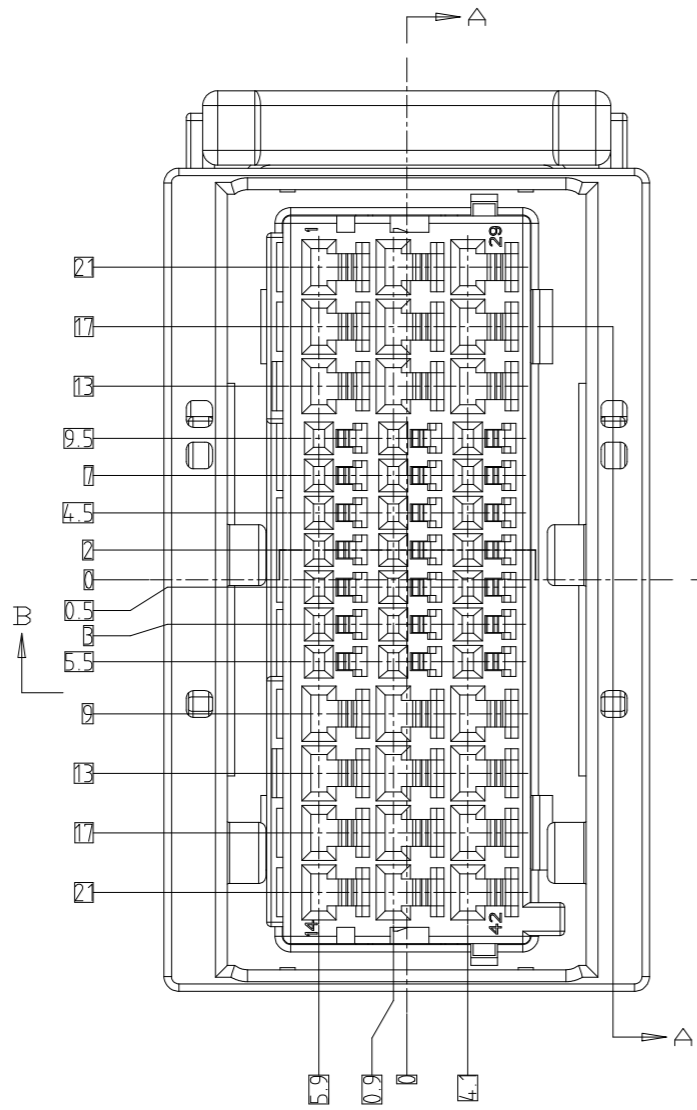
LOC		DIST		REVISIONS			
P	LTR	DESCRIPTION	DATE	DWN	APVD		
DS							
A1		REVISED(ECR-18-004830)	03/SEP/18	YJ	YJ		



SECTION A-A



SCALE 2:1



ASS'Y P/N.

ASS'Y P/N.	Q'TY
0-1743098-4	2
1-1743098-8	2
1-1743098-7	2
0-1743098-1	2

NO.	COLOR	MATERIAL	DESCRIPTION	Q'TY
⑤	BLACK	PBT GF30	SLIDE HSG	2
④	BLACK	PA66 GF30	LEVER HSG	1
③	NATURAL	PBT	DBL HSG	1
②	BLUE	PBT	SUB PLUG HSG	-
②	GREEN	PBT	SUB PLUG HSG	-
②	BROWN	PBT	SUB PLUG HSG	1
②	WHITE	PBT	SUB PLUG HSG	-
①	BLUE	PBT GF30	MAIN PLUG HSG	-
①	GREEN	PBT GF30	MAIN PLUG HSG	-
①	BROWN	PBT GF30	MAIN PLUG HSG	1
①	WHITE	PBT GF30	MAIN PLUG HSG	-

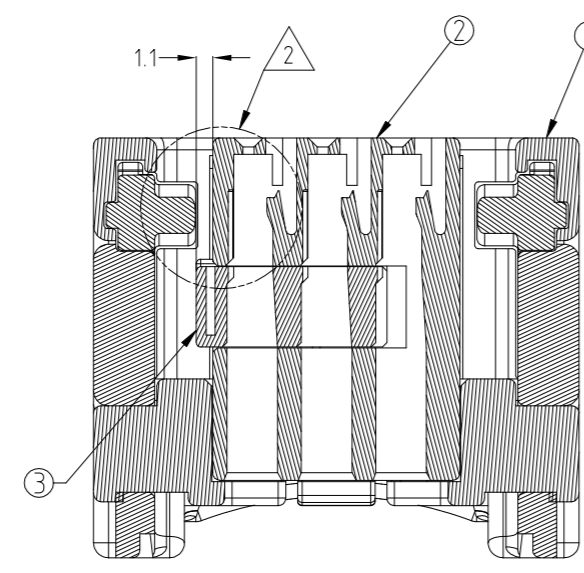
- NOTES:
- GENERAL TOLERANCE IS ±0.3
  - CONDITION OF DELIVERY :  
DBL IN 1ST. LOCKING POSITION  
LEVER HSG IN 2ND. LOCKING POSITION
  - APPLIED PLUG ASS'Y P/N: X-1743095-X
  - APPLIED REC. CONTACT P/N : TABLE 1
  - CHACK CONVERSION KEY CODE

SHAPE OF CONVERSION TYPE

0-1743098-4(BROWN)	0-1743098-1(WHITE)	1-1743098-8(BLUE)

TABLE 1-

TYPE	Part NO.	WIRE SIZE(mm <sup>2</sup> )	MATERIAL/FINISH
.040	0-316836-1	0.3 - 0.85	CuNiSi ALLOY / PRE-TIN
	0-368085-1	0.3 - 0.5	CuNiSi ALLOY / 0-PRE-TIN / 1-GOLD
1-368085-1	0.3 - 0.5		
.090	0-368084-1	0.85 - 1.25	
	1-368084-1	0.85 - 1.25	
	0-368083-1	2.0	
	1-368083-1	2.0	



SECTION B-B

THIS DRAWING IS A CONTROLLED DOCUMENT FOR TYCO ELECTRONICS CORPORATION. IT IS SUBJECT TO CHANGE AND THE CONTROLLING ENGINEERING ORGANIZATION SHOULD BE CONTACTED FOR THE LATEST REVISION.

DIMENSIONS: mm	TOLERANCES UNLESS OTHERWISE SPECIFIED: 0-XX-10 ± 0.2 10-XX-30 ± 0.25 30-XX ± 0.3 ANGLES ± 3°
3rd ANGLE PROJECTION	FINISH
MATERIAL	SEE TABLE

DWN : YD LEE	AMP KOREA, kyungsan, korea
CHK : BM JANG	
APVD : CS LEE	
PRODUCT SPEC	NAME
APPLICATION SPEC	PLUG ASSEMBLY CONNECTOR FOR HYB. 42POS (.040/.090 SIZE "LIF")
WEIGHT	SIZE CAGE CODE DRAWING NO RESTRICTED TO
	A2 00779 1743098
	SCALE 2/1 SHEET 1 OF 1 REV A1