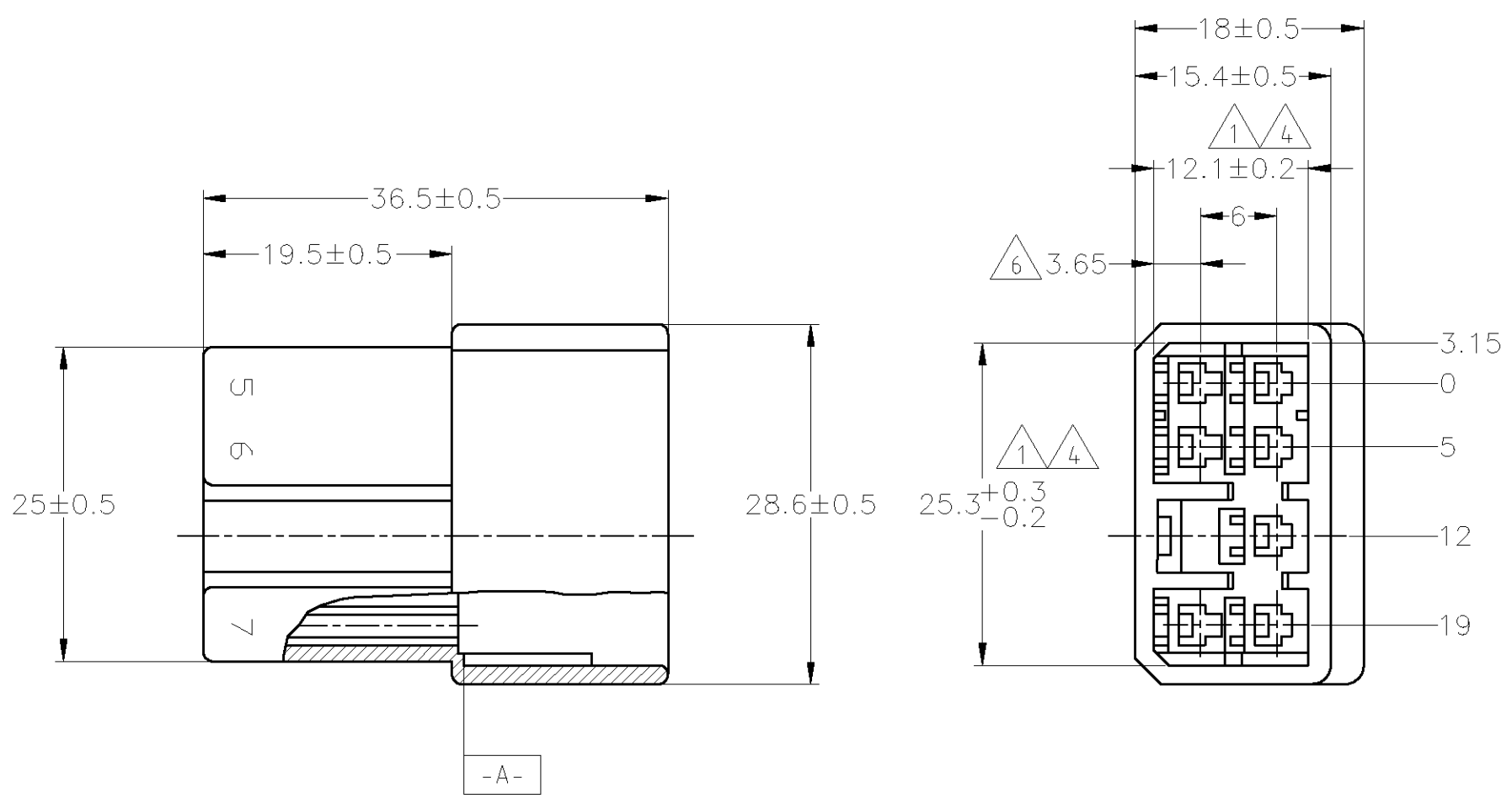
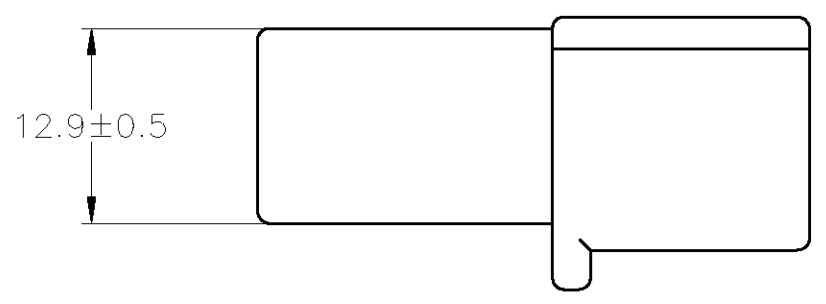


THIS DRAWING IS UNPUBLISHED. RELEASED FOR PUBLICATION
 © COPYRIGHT BY TYCO ELECTRONICS CORPORATION. ALL INTERNATIONAL RIGHTS RESERVED.

LOC	DIST	REVISIONS					
P	LTR	DESCRIPTION	DATE	DWN	APVD		
J	-	C1	REVISED	ECR-10-004036	25FEB10	TS	KB



- △1. IN COUPLING WITH THE PLUG HOUSING MATING SATISFIES FUNCTION.
 - 2. APPLIED CONTACT PN 170221, 170222
 - 3. PRODUCT SPECIFICATION NUMBER: 108-5099
 - △4. TO BE MEASURED WITHIN 2mm FROM [-A-]
 - 5. IN COUPLING WITH THE PLUG HOUSING MATING FORCE 29.4N (3kg) MAX. WITHOUT RECEPTACLE CONTACT.
 - △6. CENTERLINE OF CONTACT
- △1. 相手ハウジングと所定の機能を満たして嵌合出来ること。
 - 2. 使用コンタクト型番：170221 及び 170222, その他
 - 3. 製品規格番号：108-5099
 - △4. [-A-] 面より2mmの範囲で測定。
 - 5. 相手ハウジングとの嵌合力は29.4N (3kg) 以下。但し、コンタクトは含まない。
 - △6. コンタクトセンター迄の距離



OBSOLETE	YELLOW	172043-7
OBSOLETE	GRAY	172043-6
OBSOLETE	BLUE	172043-5
OBSOLETE	GREEN	172043-4
OBSOLETE	BROWN	172043-3
	BLACK	172043-2
	NATURAL	172043-1
	COLOR	PART NUMBER

GENERAL TOLERANCE

10 ≥	: ±0.2
30 ≥ > 10	: ±0.25
100 ≥ > 30	: ±0.3
ANGLE	: ±3°

THIS DRAWING IS A CONTROLLED DOCUMENT.		DWN T.SHINOHARA 30JUL09	Tyco Electronics Corporation Kawasaki, Japan	
DIMENSIONS: mm		CHK K.BETSUI 30JUL09	NAME	
TOLERANCES UNLESS OTHERWISE SPECIFIED:		APVD K.BETSUI 30JUL09	PRODUCT SPEC	
0-PLC ±— 1-PLC ±— 2-PLC ±— 3-PLC ±— 4-PLC ±— ANGLES ±—		APPLICATION SPEC		MULTI-INTER LOCK CONNECTOR 7 POSITION CAP HOUSING
MATERIAL 66 NYLON (UL94V-2)		FINISH —		RESTRICTED TO —
WEIGHT — CUSTOMER DRAWING		SIZE A3	CAGE CODE 00779	DRAWING NO C-172043
SCALE 2:1		SHEET 1 OF 1		REV C1