

1674320-1 ✓ ACTIVE

## Micro Motor

TE Internal #: 1674320-1

Rectangular Power Connectors, Connector Assembly, Receptacle,  
Wire-to-Motor / Wire-to-Wire, 8 Position, .079 in [2 mm] Centerline,  
Micro Motor

[View on TE.com >](#)



Connectors > Power Connectors > Rectangular Power > Rectangular Power Connectors



Rectangular Power Connector Type: **Connector Assembly**

Connector & Housing Type: **Receptacle**

Connector System: **Wire-to-Motor, Wire-to-Wire**

Number of Positions: **8**

Centerline (Pitch): **2 mm [ .079 in ]**

## Features

### Product Type Features

Rectangular Power Connector Type	Connector Assembly
Connector & Housing Type	Receptacle
Connector System	Wire-to-Motor, Wire-to-Wire
Sealable	Yes
Connector & Contact Terminates To	Wire & Cable

### Configuration Features

Number of Positions	8
Seal Type	Wire Rubber Packing
Number of Signal Positions	8
Number of Rows	2

### Electrical Characteristics

Operating Voltage	10 VAC
-------------------	--------

### Contact Features

Contact Layout	Matrix
Multiple Contact Types	Without
Contact Current Rating (Max)	1 A
Contact Type	Receptacle
Wire Contact Termination Area Plating Material	Nickel



Contact Mating Area Plating Material	Gold
--------------------------------------	------

Contact Mating Area Plating Material Thickness	.025 $\mu\text{m}$ [.7 $\mu\text{in}$ ]
--	---

### Termination Features

Termination Method to Wire & Cable	Crimp
------------------------------------	-------

Wire Type	Stranded
-----------	----------

### Mechanical Attachment

Strain Relief	With
---------------	------

Mating Alignment Type	Polarization
-----------------------	--------------

Mating Alignment	With
------------------	------

Contact Retention Type Within Housing	Locking Lance
---------------------------------------	---------------

Panel Mount Feature	Without
---------------------	---------

Connector Mounting Type	Motor
-------------------------	-------

Mating Retention	With
------------------	------

Mating Retention Type	Screw
-----------------------	-------

### Housing Features

Centerline (Pitch)	2 mm [.079 in]
--------------------	----------------

Housing Color	Black
---------------	-------

Housing Material	Polyester GF
------------------	--------------

### Dimensions

Wire Size	.12 – .3 mm <sup>2</sup>
-----------	--------------------------

Row-to-Row Spacing	2.4 mm [.094 in]
--------------------	------------------

Width	23 mm [.9 in]
-------	---------------

Accepts Wire Insulation Diameter Range	1 – 1.2 mm [.039 – .047 in]
--	-----------------------------

Height	13 mm [.511 in]
--------	-----------------

Length	30 mm [1.18 in]
--------	-----------------

### Usage Conditions

Operating Temperature Range	-30 – 105 °C [-22 – 221 °F]
-----------------------------	-----------------------------

Shielded	No
----------	----

### Operation/Application

Circuit Application	Signal
---------------------	--------

### Identification Marking

Circuit Identification Feature	Without
--------------------------------	---------



### Industry Standards

CSA Rating	Certified
UL Flammability Rating	UL 94V-0
Glow Wire Rating	Standard Part - Not Glow Wire
Agency/Standard Number	E28476
Agency/Standard	CSA, UL
UL Rating	Recognized
CSA File Number	LR7189

### Packaging Features

Packaging Method	Bag
Packaging Quantity	1

### Other

For Use With	Appropriate Motor Connector
--------------	-----------------------------

### Product Compliance

[For compliance documentation, visit the product page on TE.com>](#)

EU RoHS Directive 2011/65/EU	Compliant
EU ELV Directive 2000/53/EC	Compliant
China RoHS 2 Directive MIIT Order No 32, 2016	No Restricted Materials Above Threshold
EU REACH Regulation (EC) No. 1907/2006	Current ECHA Candidate List: JUNE 2022 (224) Candidate List Declared Against: JUL 2021 (219) SVHC > Threshold: Not Yet Reviewed
Halogen Content	Low Halogen - Br, Cl, F, I < 900 ppm per homogenous material. Also BFR/CFR/PVC Free
Solder Process Capability	Not applicable for solder process capability

#### Product Compliance Disclaimer


This information is provided based on reasonable inquiry of our suppliers and represents our current actual knowledge based on the information they provided. This information is subject to change. The part numbers that TE has identified as EU RoHS compliant have a maximum concentration of 0.1% by weight in homogenous materials for lead, hexavalent chromium, mercury, PBB, PBDE, DBP, BBP, DEHP, DIBP, and 0.01% for cadmium, or qualify for an exemption to these limits as defined in the Annexes of Directive 2011/65/EU (RoHS2). Finished electrical and electronic equipment products will be CE marked as required by Directive 2011/65/EU. Components may not be CE marked. Additionally, the part numbers that TE has identified as EU ELV compliant have a maximum concentration of 0.1% by weight in homogenous materials for lead, hexavalent chromium, and mercury, and 0.01% for cadmium, or qualify for an exemption to these limits as defined in the Annexes of Directive 2000/53/EC (ELV). Regarding the REACH Regulation, the information TE provides

on SVHC in articles for this part number is based on the latest European Chemicals Agency (ECHA) 'Guidance on requirements for substances in articles' posted at this URL: <https://echa.europa.eu/guidance-documents/guidance-on-reach>

## Compatible Parts




TE Part # 2201825-1  
ENC.CBL I/O KIT 100SET, M-M + LONG SCREW




TE Part # 1596847-1  
SAHT MICRO MOTOR REC 26-22 ASSY


## Also in the Series | Micro Motor



Connector Contacts(1)




Power Contacts(2)




Rectangular Caps & Covers(2)




Rectangular Connector Hardware(1)




Rectangular Connector Housings(1)



Rectangular Power Connectors(3)



Special Purpose Terminals(1)

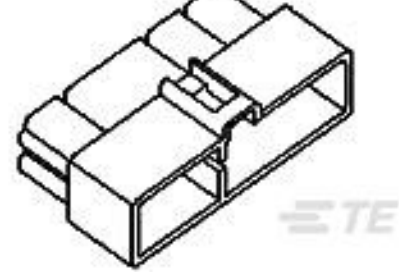


Standard Rectangular Connectors(4)

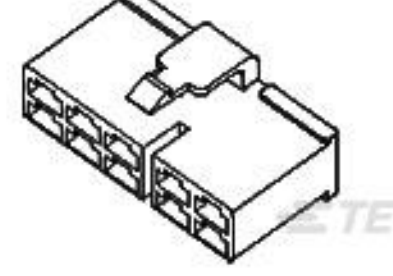
## Customers Also Bought



TE Part #1-917266-3  
DYNAMIC D-3200 P/MOUNT REC HSG



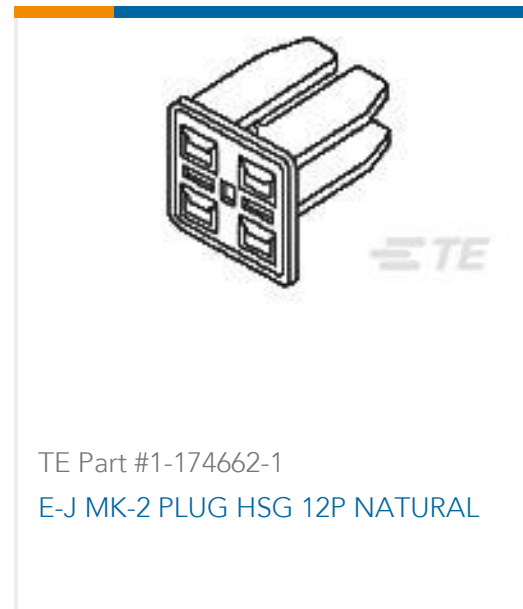
TE Part #172137-1  
FF 250 REC HSG 10P NYLON NAT



TE Part #172138-1  
FF 250 PLUG HSG 10P NYLON NAT



TE Part #172213-3  
EIS CAP HSG PANEL MOUNT 3P NATURAL



## Documents

### Product Drawings

#### ENCODER CABLE I/O KIT, MICRO M

English

### CAD Files

#### 3D PDF

3D

#### Customer View Model

[ENG\\_CVM\\_CVM\\_1674320-1\\_E.2d\\_dxf.zip](#)

English

#### Customer View Model

[ENG\\_CVM\\_CVM\\_1674320-1\\_E.3d\\_igs.zip](#)

English

#### Customer View Model

[ENG\\_CVM\\_CVM\\_1674320-1\\_E.3d\\_stp.zip](#)

English

By downloading the CAD file I accept and agree to the [Terms and Conditions](#) of use.

### Product Specifications

#### Product Specification

Japanese

### Instruction Sheets

#### Instruction Sheet (non U.S.)

Japanese