

1744417-8 ✓ ACTIVE

Economy Power 2.5

TE Internal #: 1744417-8

Housing, Receptacle, Wire-to-Board, 8 Position, 2.5 mm [.098 in]
Centerline, Crimp, 1 Row, Natural, Mating Retention, Wire & Cable,
Economy Power 2.5

[View on TE.com >](#)



Connectors > PCB Connectors > Wire-to-Board Connectors > Wire-to-Board Connector Assemblies & Housings



Connector Product Type: **Housing**

Connector & Housing Type: **Receptacle**

Connector System: **Wire-to-Board**

Number of Positions: **8**

Centerline (Pitch): **2.5 mm [.098 in]**

Features

Product Type Features

Connector Product Type	Housing
Connector & Housing Type	Receptacle
Connector System	Wire-to-Board
Sealable	No
Connector & Contact Terminates To	Wire & Cable

Configuration Features

Number of Positions	8
Number of Rows	1

Electrical Characteristics

Operating Voltage	250 VAC
-------------------	---------

Contact Features

Contact Layout	Inline
Contact Type	Socket



Termination Features

Termination Method to Wire & Cable	Crimp
------------------------------------	-------

Mechanical Attachment

Strain Relief	Without
Panel Mount Feature	Without
PCB Mount Retention	Without
Mating Retention Type	Latch
Mating Retention	With
Connector Mounting Type	Cable Mount (Free-Hanging)

Housing Features

Housing Entry Configuration	Both Ends Closed
Housing Material	Nylon
Centerline (Pitch)	2.5 mm [.098 in]
Housing Color	Natural

Dimensions

Connector Length	22.3 mm [.876 in]
Connector Height	5.7 mm [.224 in]

Usage Conditions

Operating Temperature Range	-55 – 105 °C [-67 – 221 °F]
-----------------------------	-----------------------------

Operation/Application

Circuit Application	Power
---------------------	-------

Industry Standards

Glow Wire Rating	Glow Wire
UL Flammability Rating	UL 94V-0

Packaging Features

Packaging Quantity	500
Packaging Method	Bag

Product Compliance

For compliance documentation, visit the product page on [TE.com](#)>

EU RoHS Directive 2011/65/EU	Compliant
EU ELV Directive 2000/53/EC	Compliant



China RoHS 2 Directive MIIT Order No 32, 2016	No Restricted Materials Above Threshold
EU REACH Regulation (EC) No. 1907/2006	Current ECHA Candidate List: JUNE 2022 (224) Candidate List Declared Against: JAN 2022 (223) SVHC > Threshold: Not Yet Reviewed
Halogen Content	Not Low Halogen - contains Br or Cl > 900 ppm.
Solder Process Capability	Not applicable for solder process capability

Product Compliance Disclaimer

This information is provided based on reasonable inquiry of our suppliers and represents our current actual knowledge based on the information they provided. This information is subject to change. The part numbers that TE has identified as EU RoHS compliant have a maximum concentration of 0.1% by weight in homogenous materials for lead, hexavalent chromium, mercury, PBB, PBDE, DBP, BBP, DEHP, DIBP, and 0.01% for cadmium, or qualify for an exemption to these limits as defined in the Annexes of Directive 2011/65/EU (RoHS2). Finished electrical and electronic equipment products will be CE marked as required by Directive 2011/65/EU. Components may not be CE marked. Additionally, the part numbers that TE has identified as EU ELV compliant have a maximum concentration of 0.1% by weight in homogenous materials for lead, hexavalent chromium, and mercury, and 0.01% for cadmium, or qualify for an exemption to these limits as defined in the Annexes of Directive 2000/53/EC (ELV). Regarding the REACH Regulation, the information TE provides on SVHC in articles for this part number is based on the latest European Chemicals Agency (ECHA) 'Guidance on requirements for substances in articles' posted at this URL: <https://echa.europa.eu/guidance-documents/guidance-on-reach>

Compatible Parts

 <p>TE Part # 1744418-8 8 POS EP 2.5 HDR, GLOW WIRE</p>	 <p>TE Part # 1744423-1 EP 2.5 RCPT CONTACT, 24-20 AWG</p>	 <p>TE Part # 2110989-1 EP 2.5 RCPT CONTACT, 26-22 AWG</p>	 <p>TE Part # 1969443-8 EP 2.5 TPA Retainer, 8 Pos</p>
 <p>TE Part # 1744426-8 Header Housing Assy, EP 2.5 RA, 8 Pos.</p>	 <p>TE Part # 1969541-8 RETAINER, TPA, DUAL ROW, EP2.5</p>	 <p>TE Part # 2132230-8 EP2.5 Shrouded HDR ASSY 8P VERT</p>	 <p>TE Part # 1744439-8 EP2.5 Shrd HDR ASSY 8P VERT, GW</p>




TE Part # 1744446-8
Hdr Assy, EP 2.5 RA, 8 Pos., GW



TE Part # 2132415-8
EP2.5 Shrouded HDR ASSY 8P VERT w /o boss




TE Part # 5-2299683-8
EP2.5 HDR 8P VERT W/O BOSS, TAPING, GREEN



TE Part # 2404280-8
EP 2.5 HDR, GLOW WIRE, 8P


Also in the Series | Economy Power 2.5



Insertion & Extraction Tools(1)




PCB Headers & Receptacles(210)




PCB Latches, Locks & Retainers(49)



Rectangular Power Connectors(43)



Wire-to-Board Connector Assemblies & Housings(216)



Wire-to-Board Connector Contacts(6)

Customers Also Bought



TE Part #282762-1
JPT SPLASH-PROOF FEM.CONN2 POS



TE Part #1-1863003-2
UMN1 9WAY PLUG HOUSING



TE Part #1-968968-3
2,5MM BU-GEH ASSY2P



TE Part #5-965908-1
MQS0,63 Sn tab LL EDS 0,5-0,75



TE Part #2-1703773-1
6POS,TAB 1.6X0.6,PIN HSG,ASSY



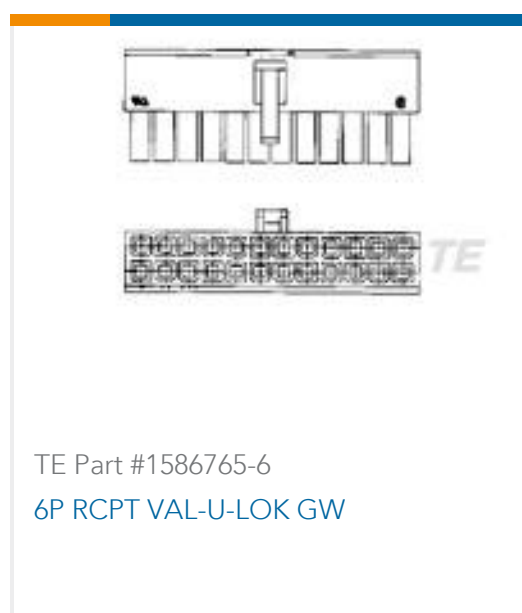
TE Part #925366-2
MOD 4 REC.HSG 1X02P



TE Part #280621-1
MOD I CRIMP CONTACT



TE Part #1744417-7
7 POS EP 2.5 HSG, GLOW WIRE



Documents

Product Drawings

8 POS EP 2.5 HSG, GLOW WIRE

English

CAD Files

3D PDF

3D

Customer View Model

[ENG_CVM_CVM_1744417-8_D.2d_dxf.zip](#)

English

Customer View Model

[ENG_CVM_CVM_1744417-8_D.3d_igs.zip](#)

English

Customer View Model

[ENG_CVM_CVM_1744417-8_D.3d_stp.zip](#)

English

By downloading the CAD file I accept and agree to the [Terms and Conditions](#) of use.

Datasheets & Catalog Pages

7-1773461-6_EP2.5_Connector_Series

English

Product Specifications

Application Specification

English

Product Environmental Compliance

MD_1744417-8_032220181012_dmtec

English

MD_1744417-8_032220181012_dmtec

English

Agency Approvals

VDE Certificate

English