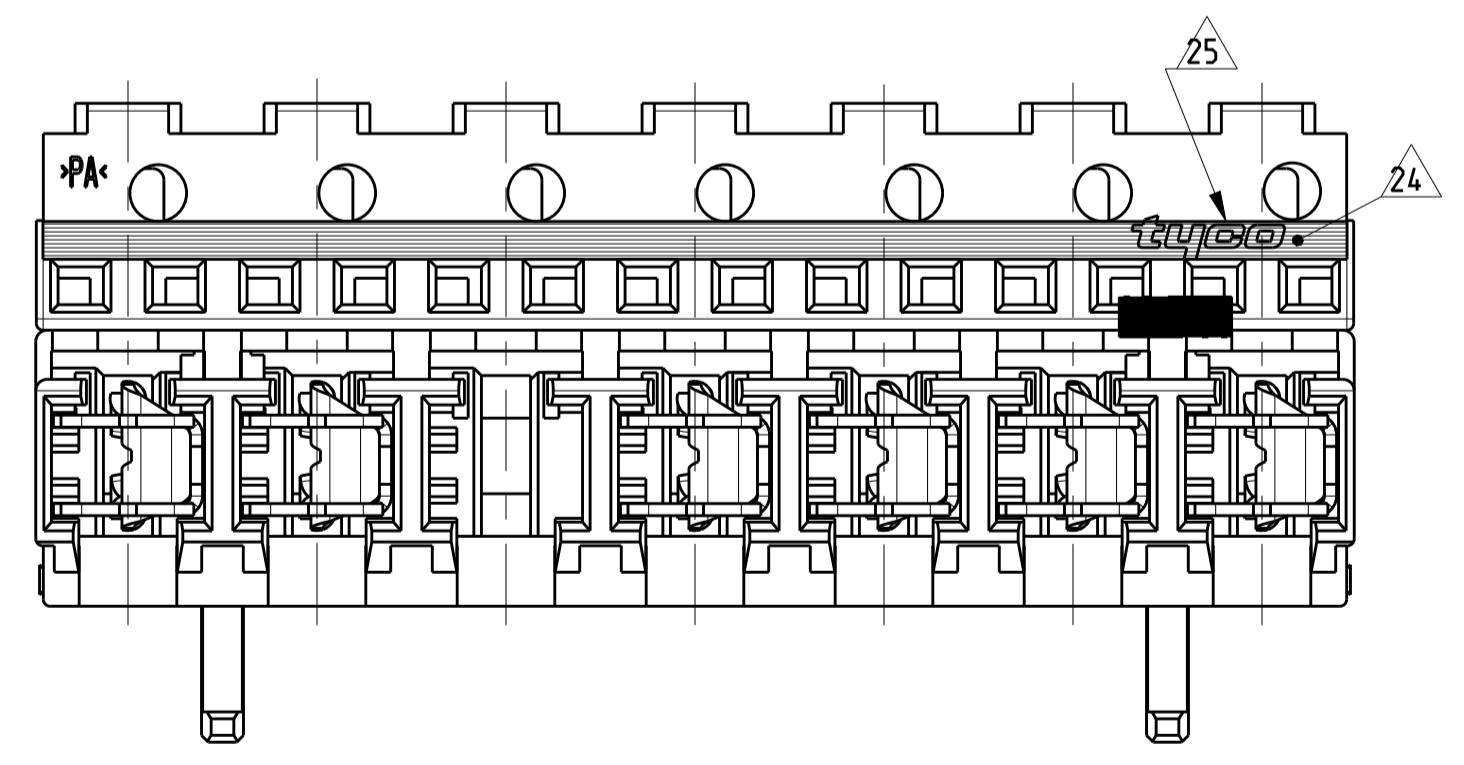
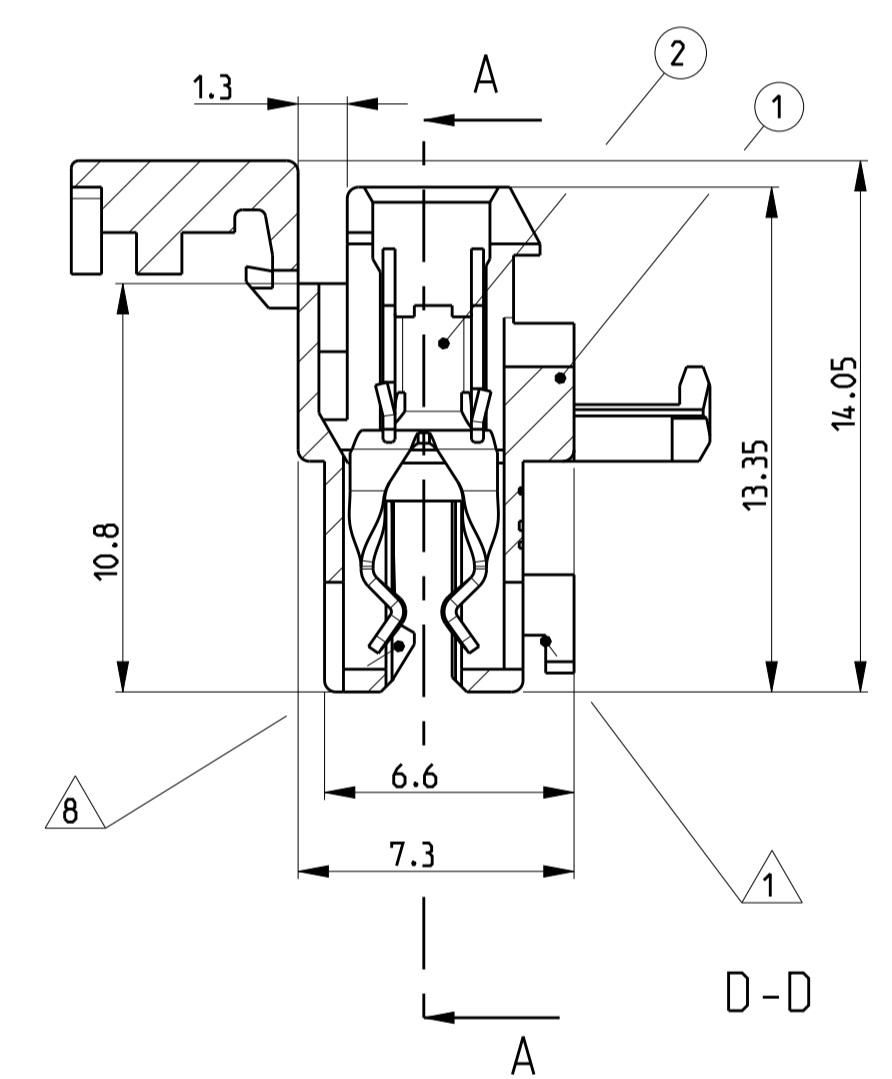
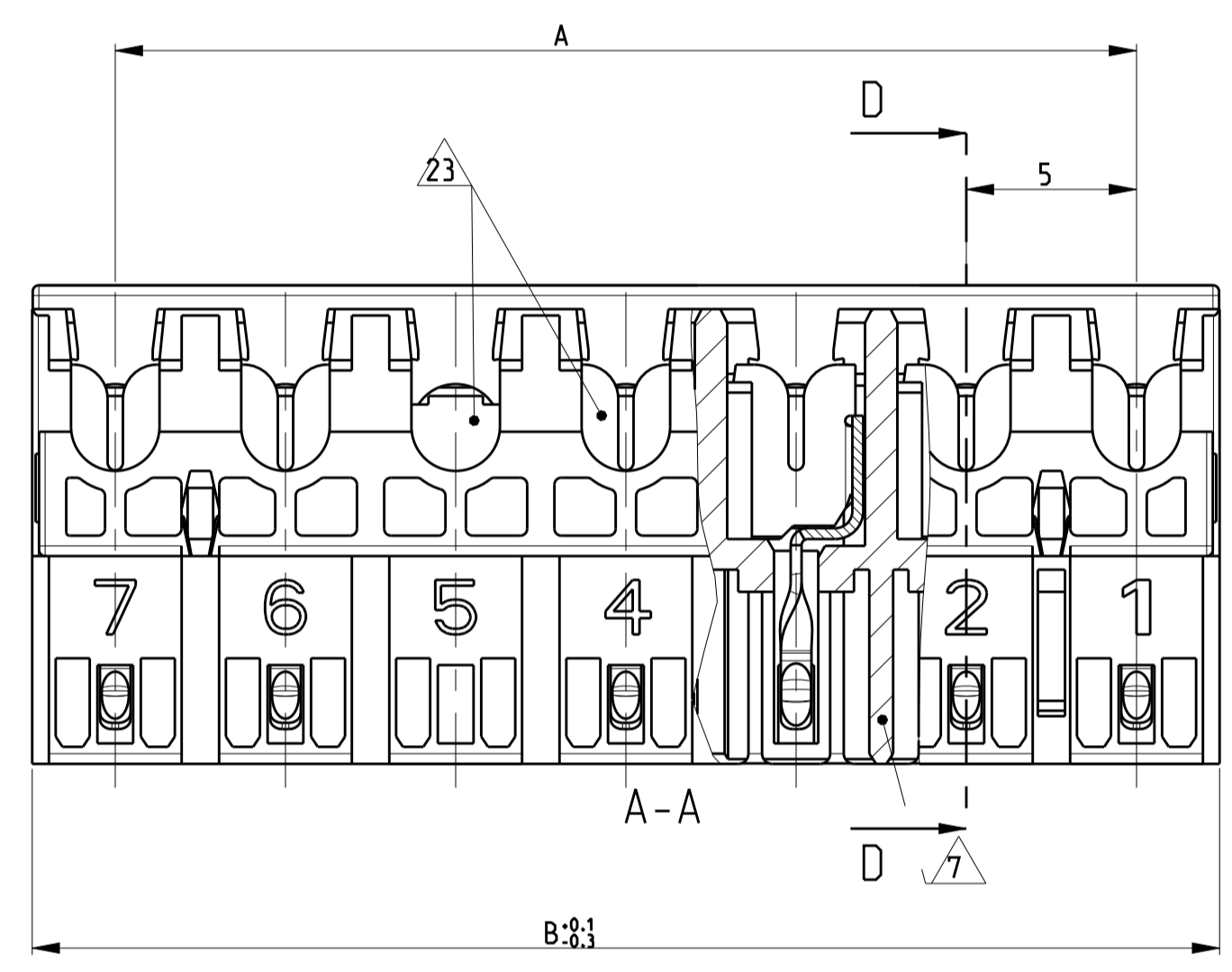
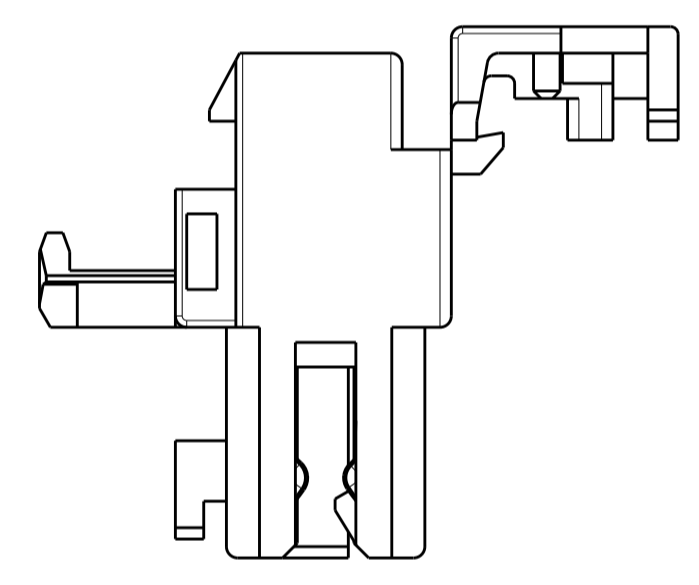
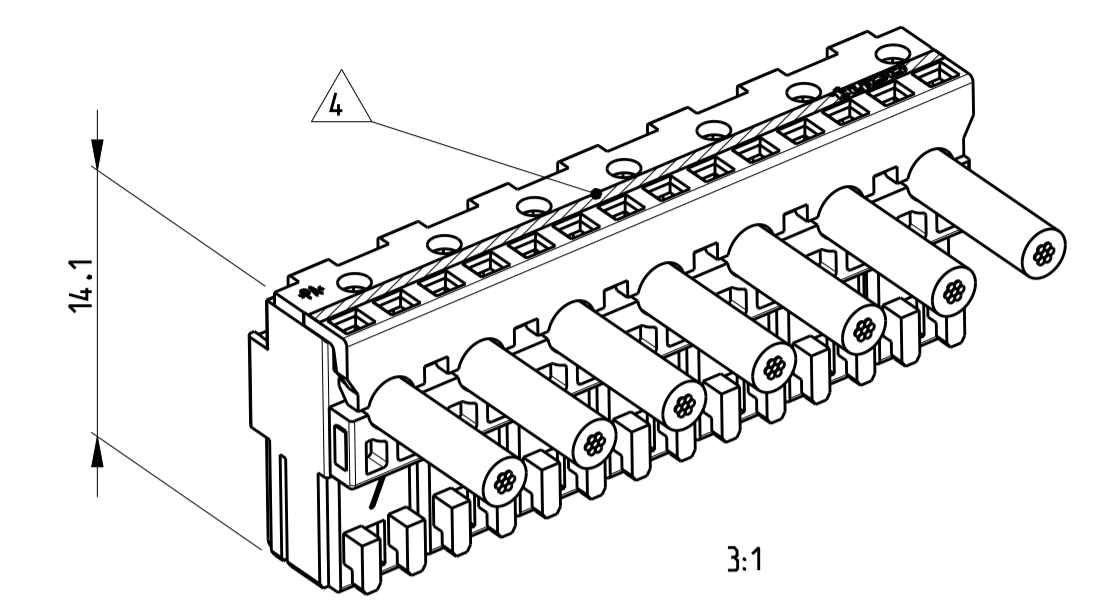


LOC	DIST	REVISIONS					
A1	-	P	LTR	DESCRIPTION	DATE	DWN	APVD
		B16	ECR-17-001383		23MAR2017	KD	RR
		B17	ECR-17-008665		14JUN2017	LZ	RR
		B18	ECR-18-009261		14JUN2018	W W	FL



- 27. SLOT FOR SIDE KEYING NARROW ON LAST CAVITY
  - 26. PRELIMINARY PART NOT RELEASED FOR PRODUCTION
  - 25. TE LOGO
  - 24. COLOUR MARKING IN THIS AREA. COLOUR SEE TABLE. Farbmarkierung in diesem Bereich. Farbe siehe Tabelle.
  - 23. X...CAVITY LOADED WITH CONTACT  
O...CAVITY WITHOUT CONTACT  
X...Kammer mit Kontakt bestückt  
O...Kammer ohne Kontakt
  - 22. INCLUSIVE COPPER CLADDING. SINGLE OR DOUBLE SIDED  
Inklusive Kupferkaschierung, ein oder doppelseitig
  - 21. PCB PREFERABLY CHAMFERED  
Leiterplatte vorzugsweise angefast
  - 20. SLOT FOR ADDITIONAL KEYING RIB BETWEEN CAVITY NO.  
Schlitz fuer zusätzliche Kodierrippe zwischen Kammer Nr.
  - 19. SLOT FOR SIDE KEYING NARROW AND REDUCED. ON CAVITY NO.1  
Schlitz fuer Seitenkodierung, eng und reduziert, bei Kammer Nr. 1
  - 18. SLOT FOR SIDE KEYING. ON LAST CAVITY  
Schlitz fuer Seitenkodierung, bei letzter Kammer
  - 17. SLOT FOR SIDE KEYING. ON CAVITY NO. 1  
Schlitz fuer Seitenkodierung, bei Kammer Nr. 1
  - 16. IEC 60695-2-11 / IEC 60335-1 GLOW WIRE TEST 750 °C WITHOUT FLAME  
IEC 60695-2-11 / IEC 60335-1 Gluehdrahttest 750 °C ohne Flamme
  - 14 - 15. -
  - 13. SIDE KEYING. SMALL AND HALF. ON CAVITY NO. 1  
Seitenkodierung, schmal und halb, bei Kammer Nr. 1
  - 11 - 12. -
  - 10. SIDE KEYING. SMALL. ON LAST CAVITY
  - 9. -
  - 8. LOCKING HOOK BETWEEN CAVITY NO. ...  
Rasthaken zwischen Kammernummer ...
  - 7. ADDITIONAL KEYING RIB BETWEEN CAVITY NO.  
Zusätzliche Kodierrippe zwischen Kammer Nr.
  - 6. SIDE KEYING. ON LAST CAVITY  
Seitenkodierung, bei letzter Kammer
  - 5. SIDE KEYING. ON CAVITY NO. 1  
Seitenkodierung, bei Kammer Nr. 1
  - 4. COLOUR MARKING ON TOP OF HOUSING OPTIONAL ON TERMINATION MACHINE  
Farbmarkierung auf Gehäuseoberseite optional an Verarbeitungsmaschine
- MATING PART: PCB ACCORDING SHEET 2 OF 2  
Passender Gegenstecker: Leiterplatten siehe Blatt 2 von 2
- WIRE RANGE: 0.35-0.75 mm<sup>2</sup> ACCORDING TO APPLICATION SPEC 114-18996  
Drahtgroessenbereich: 0.35 - 0.75 mm<sup>2</sup>; siehe Verarbeitungsspezifikation Nr.114-18996.
- KEYING RIBS; CUTTING WITH TERMINATION MACHINE POSSIBLE  
Kodierrippe; Schneiden auf der Verarbeitungsmaschine moeglich

POS.	PN Betell-Nr.	DESCRIPTION Beschreibung	MATERIAL	COLOUR/FINISH Farbe/Oberflaeche
2	SEE TABLE	CONTACT	CuNiSi	TINNED/verzinkt
1	siehe Tabelle	HOUSING	PA6 GF 16	NATURE/natur

THIS DRAWING IS A CONTROLLED DOCUMENT.

DIMENSIONS: mm

TOLERANCES UNLESS OTHERWISE SPECIFIED:

0 PLC	±0.2
1 PLC	±0.2
2 PLC	±0.2
3 PLC	±0.2
4 PLC	±0.2
ANGLES	±0.2°
FINISH	±0.2

MATERIAL: SEE TABLE

DWN: H. Altmann 01NOV2005  
CHK: B. Schnaubel 01NOV2005  
APVD: T. Klenner 01NOV2005

NAME: AMP DUOPLUG POWER FEMALE CONNECTOR 2-9 POSITION (WITH PCB LOCKING)

SIZE: 108-18780  
APPLICATION SPEC: 114-18996

WEIGHT: -

CUSTOMER DRAWING

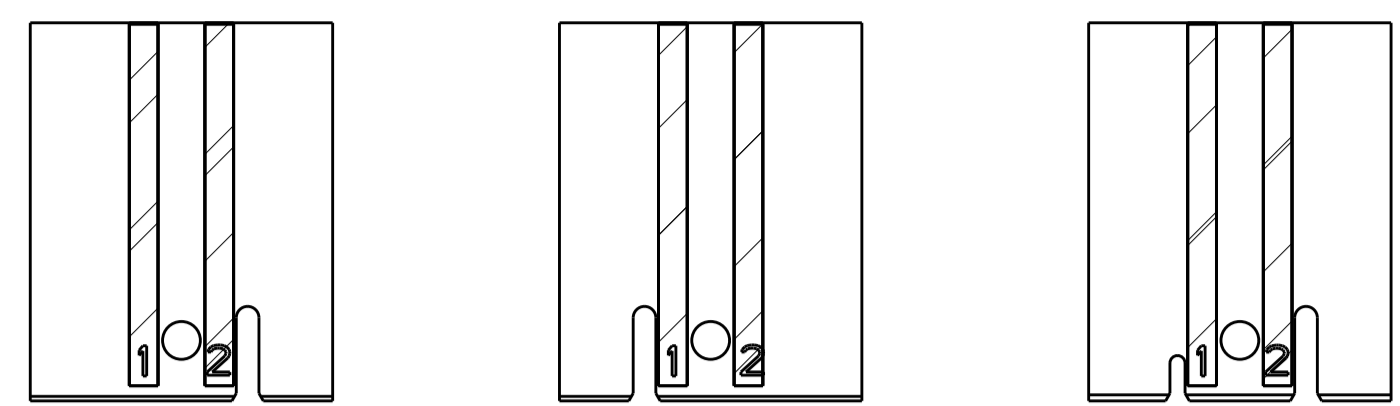
SCALE: 5:1 SHEET 1 OF 3

DATE: 18 JUN 2018

LOC		DIST		REVISIONS			
A	I	P	LTR	DESCRIPTION	DATE	DWN	APVD
		-		SEE SHEET 1	-	-	-

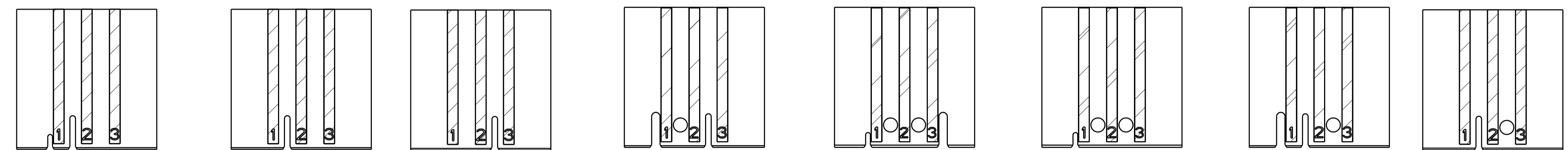
**PCB LAYOUT**  
**Leiterplattenanschluss**

2 POSITION  
 2 polig



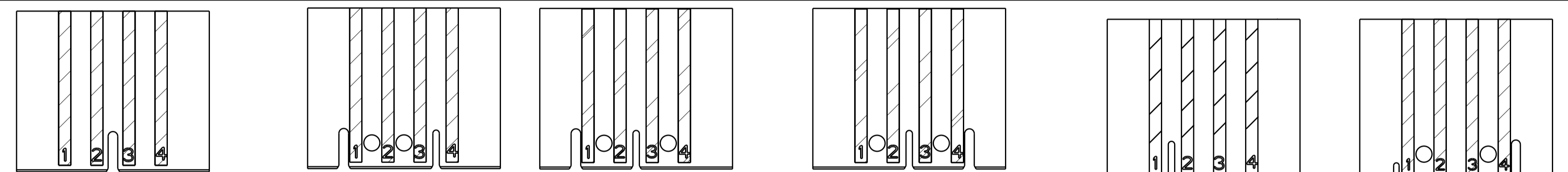
LAYOUT FOR CONNECTOR NO. 0-1740533-2      LAYOUT FOR CONNECTOR NO. 1-1740533-2      LAYOUT FOR CONNECTOR NO. 2-1740533-2

3 POSITION  
 3 polig



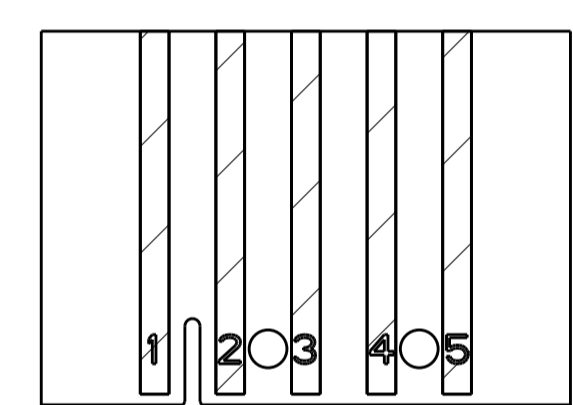
LAYOUT FOR CONNECTOR NO. 9-1740533-3      LAYOUT FOR CONNECTOR NO. 7-1740533-3      LAYOUT FOR CONNECTOR NO. 6-1740533-3      LAYOUT FOR CONNECTOR NO. 0-1740533-3      LAYOUT FOR CONNECTOR NO. 1-1740533-3      LAYOUT FOR CONNECTOR NO. 8-1740533-3      LAYOUT FOR CONNECTOR NO. 2-1740533-3      LAYOUT FOR CONNECTOR NO. 3-1740533-3 (WITHOUT PAD 3)      LAYOUT FOR CONNECTOR NO. 4-1740533-3 (WITHOUT PAD 1)      LAYOUT FOR CONNECTOR NO. 5-1740533-3  $\Delta 26$

4 POSITION  
 4 polig



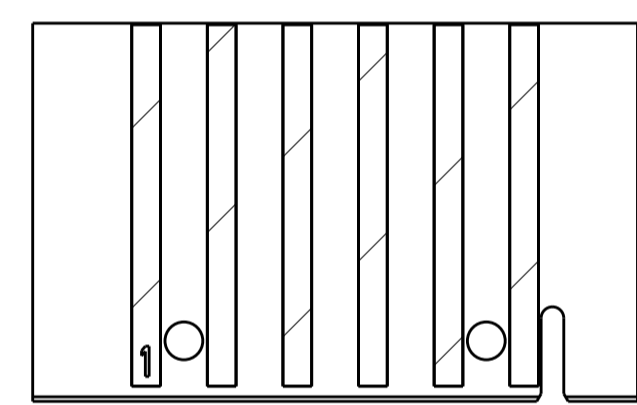
LAYOUT FOR CONNECTOR NO. 5-1740533-4  $\Delta 26$       LAYOUT FOR CONNECTOR NO. 3-1740533-4      LAYOUT FOR CONNECTOR NO. 0-1740533-4 (WITHOUT PAD 2)      LAYOUT FOR CONNECTOR NO. 2-1740533-4      LAYOUT FOR CONNECTOR NO. 1-1740533-4      LAYOUT FOR CONNECTOR NO. 4-1740533-4      LAYOUT FOR CONNECTOR NO. 6-1740533-4

5 POSITION  
 5 polig

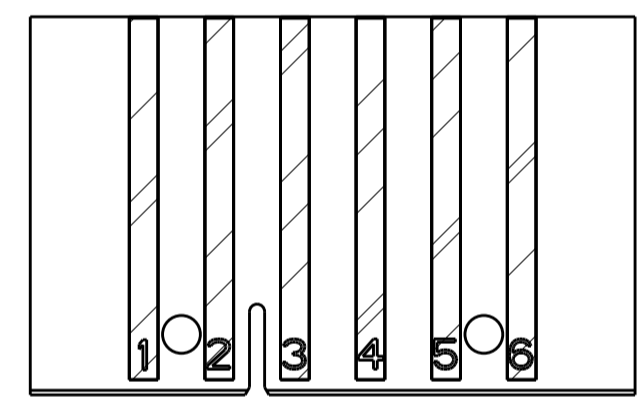


LAYOUT FOR CONNECTOR NO. 0-1740533-5

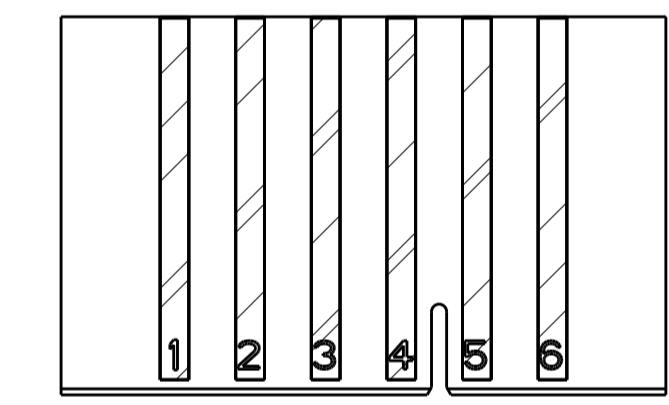
6 POSITION  
 6 polig



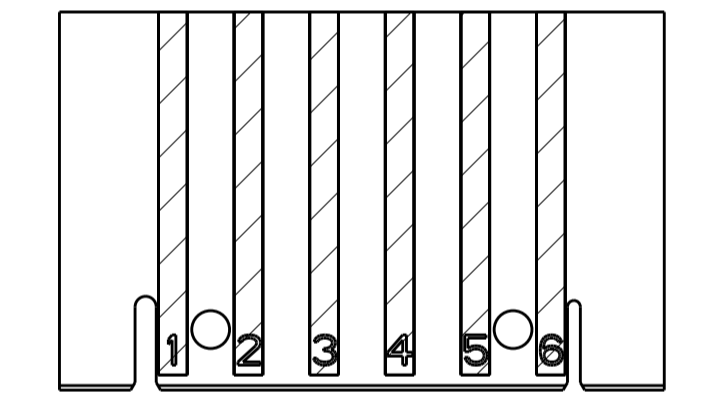
LAYOUT FOR CONNECTOR NO.  $\Delta 26$  5-1740533-6



LAYOUT FOR CONNECTOR NO. 0-1740533-6 (WITHOUT PAD 2/5/6)      LAYOUT FOR CONNECTOR NO. 1-1740533-6      LAYOUT FOR CONNECTOR NO. 3-1740533-6 (WITHOUT PAD 2)

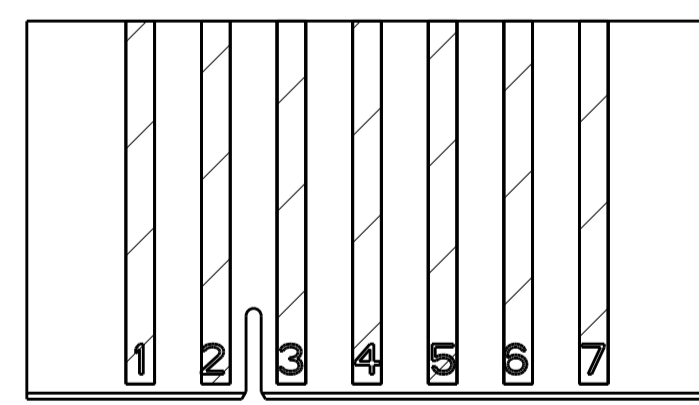


LAYOUT FOR CONNECTOR NO. 2-1740533-6

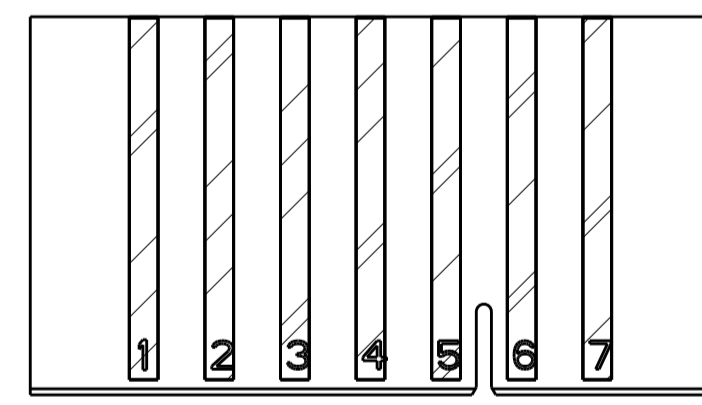


LAYOUT FOR CONNECTOR NO.  $\Delta 26$  4-1740533-6

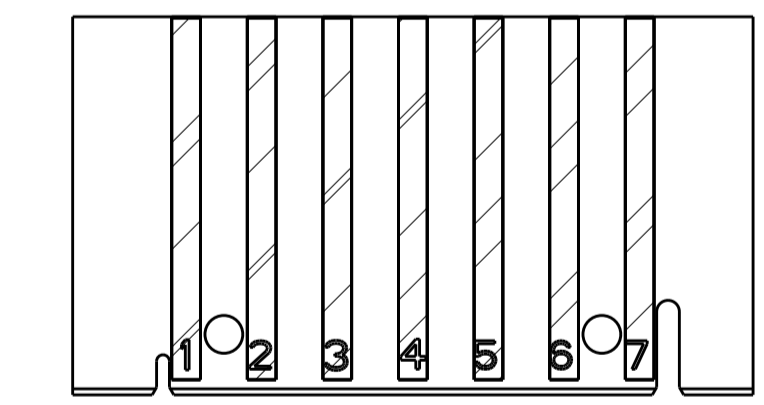
7 POSITION  
 7 polig



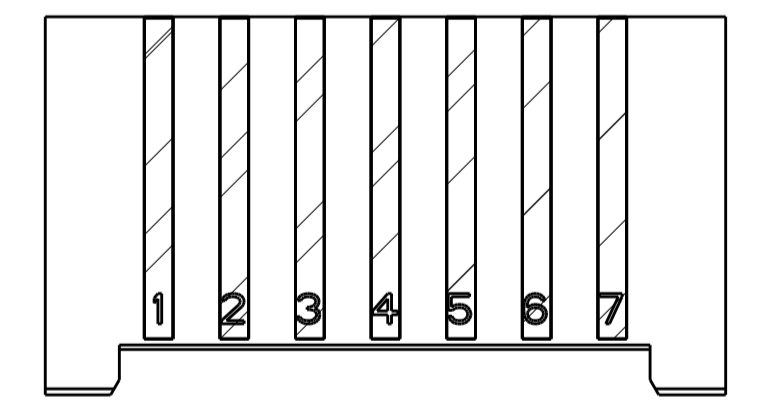
LAYOUT FOR CONNECTOR NO. 4-1740533-7  $\Delta 26$



LAYOUT FOR CONNECTOR NO. 0-1740533-7

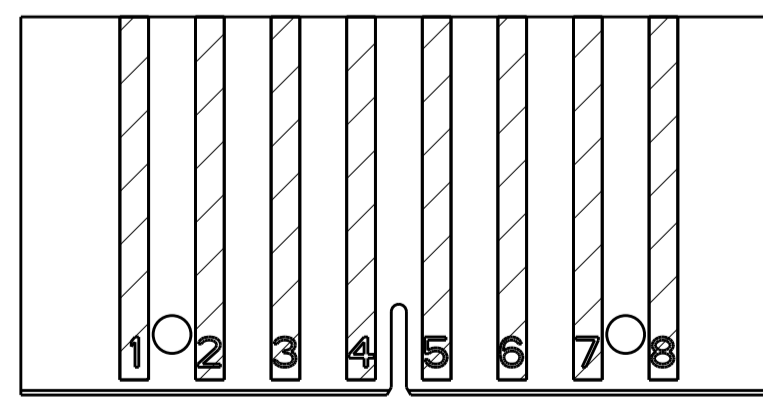


LAYOUT FOR CONNECTOR NO. 1-1740533-7

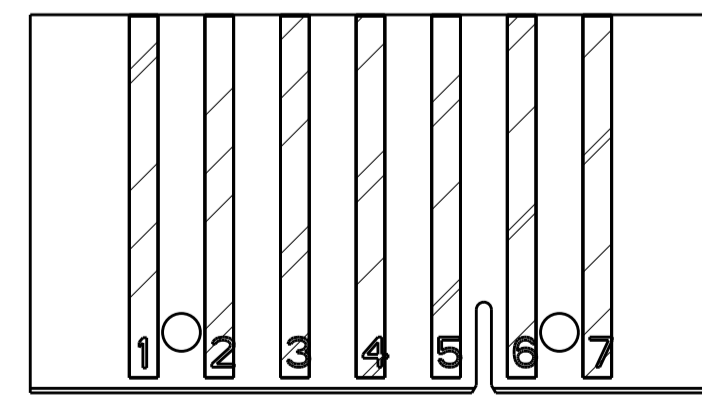


LAYOUT FOR CONNECTOR NO. 2-1740533-7

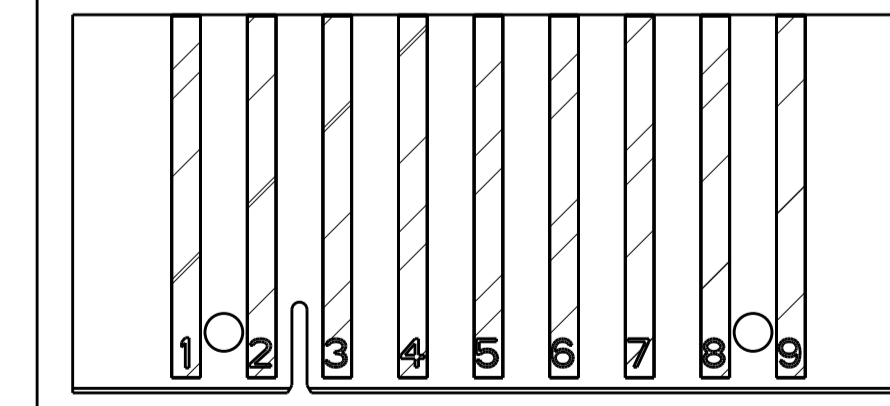
8 POSITION



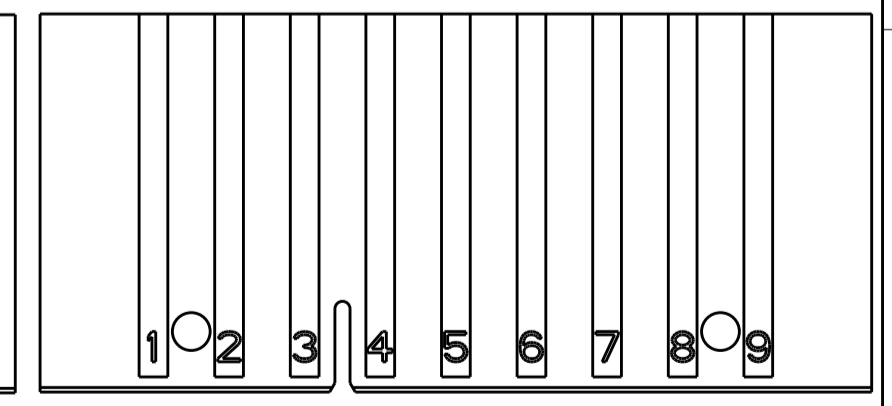
LAYOUT FOR CONNECTOR NO. 0-1740533-8



LAYOUT FOR CONNECTOR NO. 3-1740533-7



LAYOUT FOR CONNECTOR NO. 0-1740533-9      LAYOUT FOR CONNECTOR NO. 1-1740533-9 (WITHOUT PAD 9)

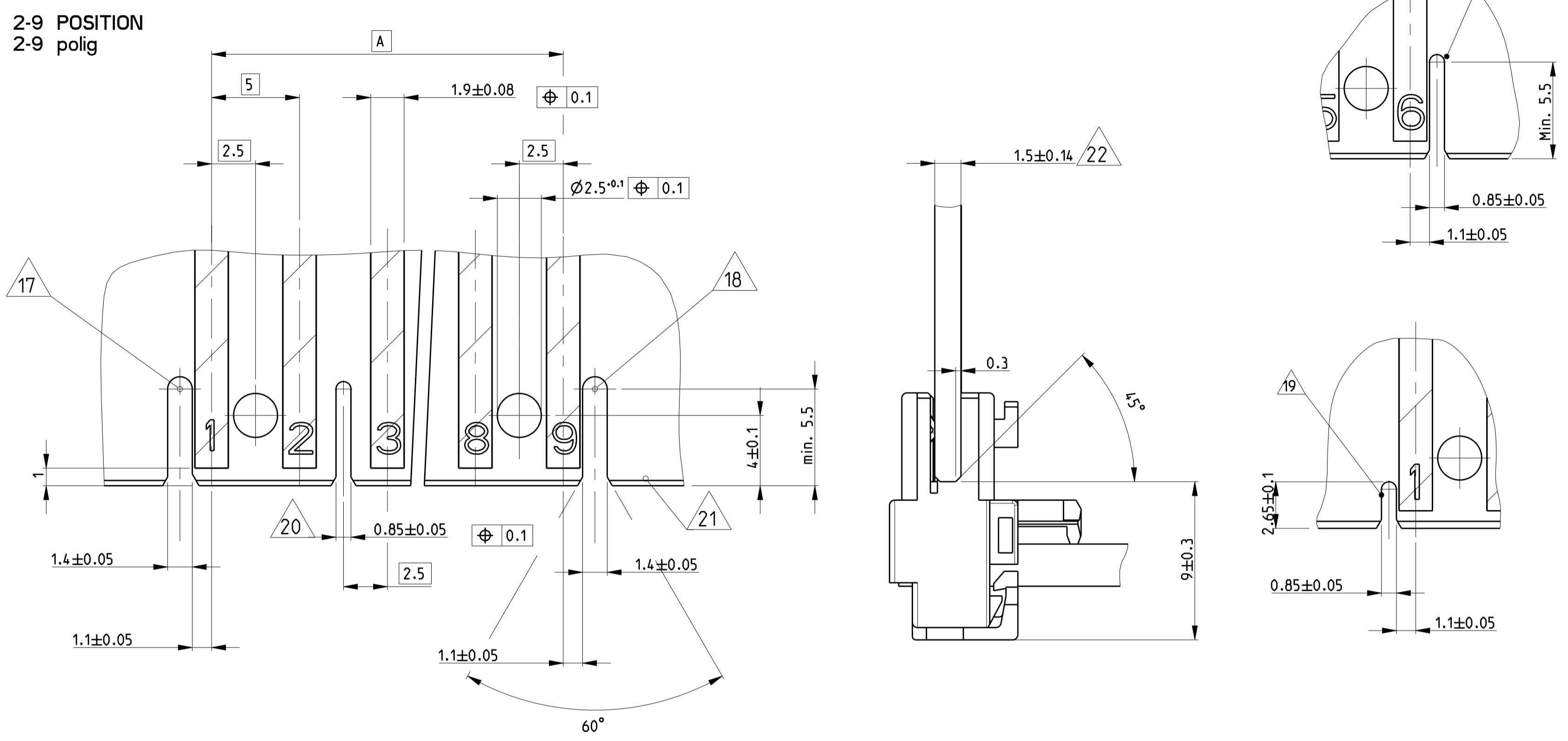


LAYOUT FOR CONNECTOR NO. 2-1740533-9

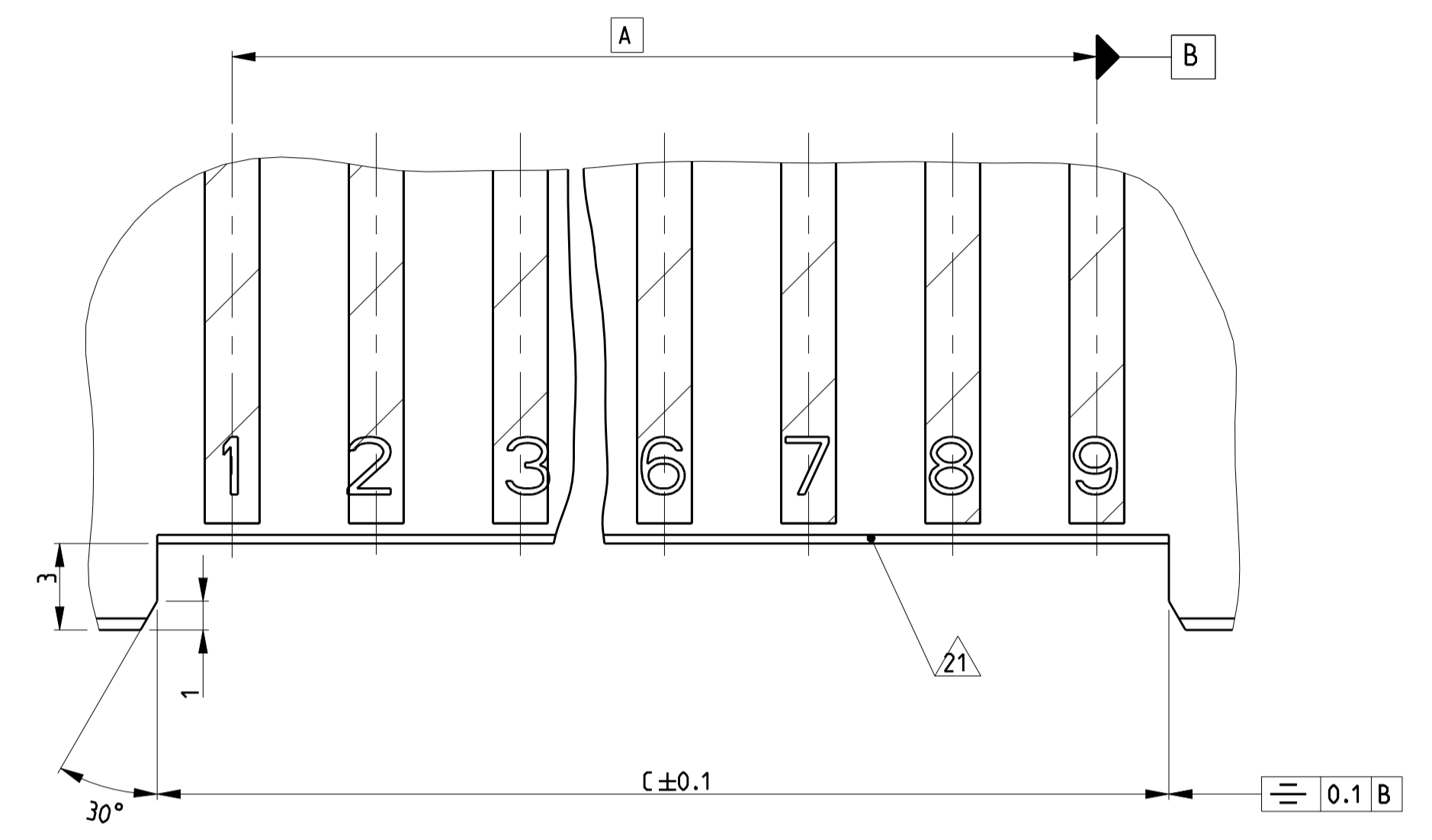
9 POSITION  
 9 polig

THIS DRAWING IS A CONTROLLED DOCUMENT.		DWN: H. Alzmann 01NOV2005	TE Connectivity NAME: AMP DUOPLUG POWER FEMALE CONNECTOR 2-9 POSITION (WITH PCB LOCKING) PRODUCT SPEC: 108-18780 APPLICATION SPEC: 116-18996 WEIGHT: - CUSTOMER DRAWING:
DIMENSIONS: mm		CHE: B. Schnaubel 01NOV2005	
TOLERANCES UNLESS OTHERWISE SPECIFIED:		APVD: T. Klenner 01NOV2005	
0 PLC $\pm 0.2$ 1 PLC $\pm 0.2$ 2 PLC $\pm 0.2$ 3 PLC $\pm 0.2$ 4 PLC $\pm$ ANGLES $\pm 30^\circ$ FINISH SEE TABLE		SCALE: 5:1      SHEET 2 OF 3      REV B18	

PCB LAYOUT IN GENERAL  
 Leiterplattenanschluss allgemein



PCB LAYOUT FOR VERSIONS WITHOUT KEYING RIBS/  
 LOCKING HOOKS (E. G. PN 2-1740533-7)  
 Leiterplattenanschluss fuer Version ohne Kodierrippen/  
 Rasthaken (z. B. Nr. 2-1740533-7)



LOC	DIST	REVISIONS					
A1	-	P	LTR	DESCRIPTION	DATE	DWN	APVD
		-	-	SEE SHEET 1	-	-	-

COLOUR/Farbe	9	8	7	6	5	4	3	2	1	POS. Polzahl	DIM A	DIM B	DIM C	KEYING	KEYING	KEYING	KEYING	KEYING	LOCKING HOOK	PN Bestell-Nr.
-	X	X	X	X	X	X	X	X	X	9	40	44.9	-	-	-	-	-	-	1/2 + 8/9	2-1740533-9
GREEN/gruen	0	X	X	X	X	X	X	X	X	9	40	44.9	-	-	-	-	-	-	1/2 + 8/9	1-1740533-9
GREEN/gruen	X	X	X	X	X	X	X	X	X	9	40	44.9	-	-	-	-	-	-	1/2 + 8/9	0-1740533-9
-		X	X	X	X	X	X	X	X	8	35	39.9	-	-	-	-	-	-	1/2 + 7/8	0-1740533-8
-			X	X	X	X	X	X	X	7	30	34.9	-	-	-	-	-	-	2/3	4-1740533-7
-			X	X	X	X	X	X	X	7	30	34.9	-	-	-	-	-	-	1/2 + 6/7	3-1740533-7
-			X	X	X	X	X	X	X	7	30	34.9	35.1	-	-	-	-	-	1/2 + 6/7	2-1740533-7
-			X	X	X	X	X	X	X	7	30	34.9	-	X	-	-	-	-	1/2 + 6/7	1-1740533-7
-			X	X	X	X	X	X	X	7	30	34.9	-	-	-	-	-	-	5/6	0-1740533-7
BLACK/schwarz			X	X	X	X	X	X	X	6	25	29.9	-	-	X	-	-	-	1/2 + 5/6	4-1740533-6
-			X	X	X	X	X	X	X	6	25	29.9	-	-	-	-	-	-	1/2 + 5/6	3-1740533-6
BLACK/schwarz			X	X	X	X	X	X	X	6	25	29.9	-	-	-	-	-	-	2/3	1-1740533-6
BLACK/schwarz		0	0	X	X	0	X			6	25	29.9	-	-	-	-	-	-	1/2 + 5/6	0-1740533-6
			X	X	X	X	X			5	20	24.95	-	-	-	-	-	-	2/3 + 4/5	0-1740533-5
			X	X	X	X				4	15	19.9	-	X	-	-	-	-	1/2 + 3/4	6-1740533-4
			X	X	X	X				4	15	19.9	-	-	-	-	-	-	2/3	5-1740533-4
			X	X	X	X				4	15	19.9	-	-	-	-	-	-	1/2	4-1740533-4
BROWN/braun			X	X	X	X				4	15	19.9	-	-	-	-	-	-	3/4	3-1740533-4
BROWN/braun			X	X	X	X				4	15	19.9	-	-	X	-	-	-	1/2 + 3/4	2-1740533-4
BLUE/blau			X	X	X	X				4	15	19.9	-	-	X	-	-	-	2/3	1-1740533-4
BROWN/braun			X	X	0	X				4	15	19.9	-	-	-	X	-	-	1/2 + 3/4	0-1740533-4
			X	X	X					3	10	14.9	-	X	-	-	-	-	1/2	9-1740533-3
BLUE/blau			X	X	X					3	10	14.9	-	X	-	-	-	-	1/2 + 2/3	8-1740533-3
			X	X	X								-	-	-	-	-	-	1/2	7-1740533-3
			X	X	X					3	10	14.9	-	-	-	-	-	-	2/3	6-1740533-3
			X	X	X								-	-	-	-	-	-	1/2	5-1740533-3
BLACK/Schwarz			X	X	0								-	-	-	-	-	-	2/3	4-1740533-3
BLACK/schwarz		0	X	X						3	10	14.9	-	-	X	-	-	-	2/3	3-1740533-3
-			X	X	X					3	10	14.9	-	X	-	-	-	-	1/2 + 2/3	2-1740533-3
-			X	X	X					3	10	14.9	-	X	-	-	-	-	1/2 + 2/3	1-1740533-3
BLACK/schwarz			X	X	X					3	10	14.9	-	-	-	X	-	-	1/2	0-1740533-3
-			X	X						2	5	9.9	-	X	-	-	-	-	1/2	2-1740533-2
RED/rot			X	X						2	5	9.9	-	-	-	-	-	-	1/2	1-1740533-2
GREEN/gruen			X	X						2	5	9.9	-	-	-	X	-	-	1/2	0-1740533-2

COLOUR	9	8	7	6	5	4	3	2	1	POS	DIM A	DIM B	DIM C	KEYING	KEYING	KEYING	KEYING	KEYING	LOCKING HOOK	PART NO
					X	X	X	X	X	5	20	24.95	-	-	-	-	-	-	2/3	1-1740533-5
					X	X	X	X	X	6	25	29.9	-	-	-	-	-	-	X	5-1740533-6
	9	8	7	6	5	4	3	2	1											

THIS DRAWING IS A CONTROLLED DOCUMENT. DWN SUDHAKAR 28OCT2013  
 CHK SUDHAKAR 28OCT2013  
 APVD RA JENDRA 28OCT2013

STE TE Connectivity

AMP DUOPLUG POWER FEMALE CONNECTOR 2-9 POSITION (WITH PCB LOCKING)

108-18750 APPLICATION SPEC  
 116-18996 WEIGHT  
 A1 00779 C=1740533

CUSTOMER DRAWING SCALE 5:1 SHEET 3 OF 3