



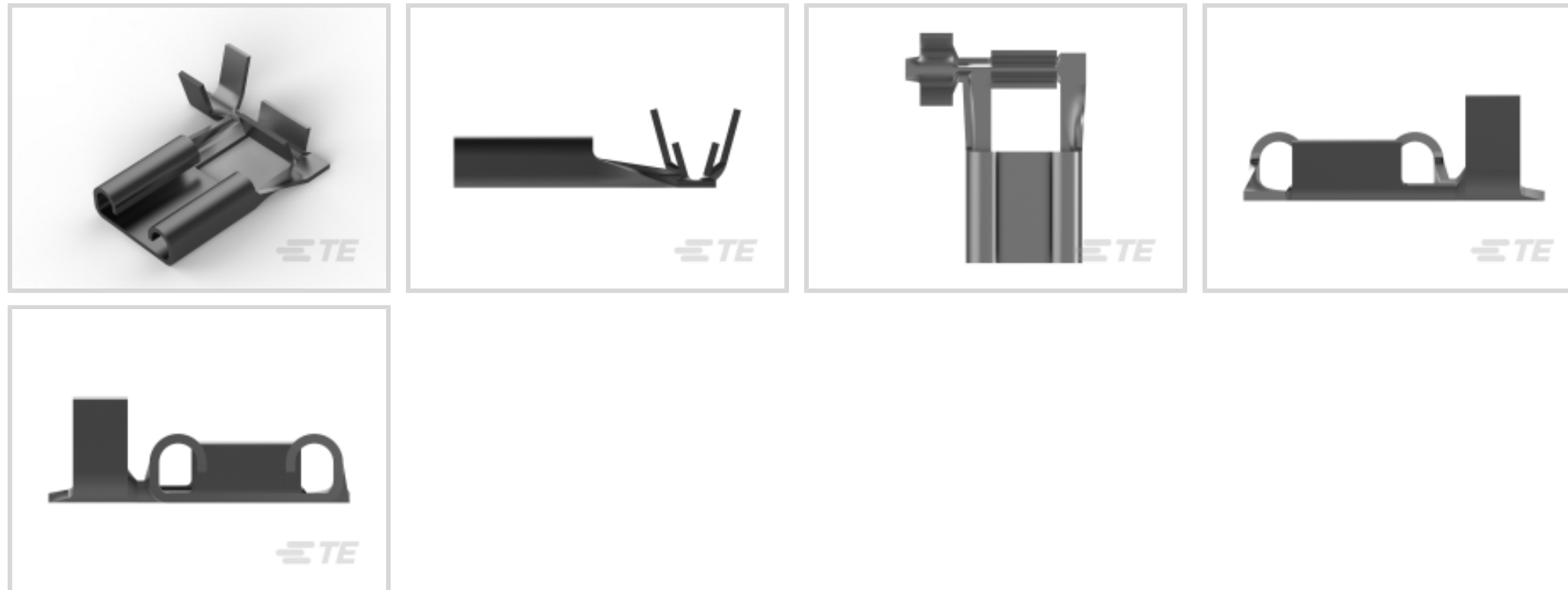
**AMPLIVAR**

TE Internal #: 1742881-1

Quick Disconnects, Receptacle, 20 – 17 AWG Wire Size, .51 – 1.03 mm<sup>2</sup> Wire Size, 500 – 1900 CMA Wire Size, Mating Tab Width .25 in [6.35 mm], AMPLIVAR

[View on TE.com >](#)

Terminals & Splices > Quick Disconnects



Quick Disconnect Terminal Type: **Receptacle**

Wire Size: **500 – 1900 CMA**

Mating Tab Width: **6.35 mm [ .25 in ]**

**Features**

**Product Type Features**

Wire Stop	No
Wire/Cable Type	Magnet Wire
Insertion Force	High

**Configuration Features**

Connection Capacity	Single
---------------------	--------

**Electrical Characteristics**

Voltage (Max)	240 V
---------------	-------

**Contact Features**

Quick Disconnect Terminal Type	Receptacle
Mating Tab Width	6.35 mm [.25 in]
Mating Tab Thickness	.81 mm [.032 in]
Terminal Orientation	Flag
Contact Base Material	Brass
Terminal Plating Material	Tin
Crimp Type	F-Crimp



Barrel Type	Open
-------------	------

### Mechanical Attachment

Mating Retention Type	Dimple
Wire Insulation Support	With

### Dimensions

Accepts Wire Insulation Diameter Range	2.54 – 3.05 mm [.1 – .12 in]
Overall Length	13.46 mm [.53 in]
Receptacle Terminal Stock Thickness	.41 mm [.016 in]
Wire Size	500 – 1900 CMA

### Usage Conditions

Insulation Option	Uninsulated
Operating Temperature Range	-40 – 105 °C [-40 – 221 °F]

### Packaging Features

Packaging Quantity	15000
Packaging Method	Reel

### Product Compliance

[For compliance documentation, visit the product page on TE.com>](#)

EU RoHS Directive 2011/65/EU	Compliant
EU ELV Directive 2000/53/EC	Compliant
China RoHS 2 Directive MIIT Order No 32, 2016	No Restricted Materials Above Threshold
EU REACH Regulation (EC) No. 1907/2006	Current ECHA Candidate List: JUNE 2022 (224) Candidate List Declared Against: JAN 2022 (223) SVHC > Threshold: Not Yet Reviewed
Halogen Content	Low Halogen - Br, Cl, F, I < 900 ppm per homogenous material. Also BFR/CFR/PVC Free
Solder Process Capability	Not applicable for solder process capability

#### Product Compliance Disclaimer

This information is provided based on reasonable inquiry of our suppliers and represents our current actual knowledge based on the information they provided. This information is subject to change. The part numbers that TE has identified as EU RoHS compliant have a maximum concentration of 0.1% by weight in homogenous materials for lead, hexavalent chromium, mercury, PBB, PBDE, DBP, BBP, DEHP, DIBP, and 0.01% for cadmium, or qualify for an exemption to these limits as defined in the Annexes of Directive 2011/65/EU (RoHS2). Finished electrical and electronic equipment products

will be CE marked as required by Directive 2011/65/EU. Components may not be CE marked. Additionally, the part numbers that TE has identified as EU ELV compliant have a maximum concentration of 0.1% by weight in homogenous materials for lead, hexavalent chromium, and mercury, and 0.01% for cadmium, or qualify for an exemption to these limits as defined in the Annexes of Directive 2000/53/EC (ELV). Regarding the REACH Regulation, the information TE provides on SVHC in articles for this part number is based on the latest European Chemicals Agency (ECHA) 'Guidance on requirements for substances in articles' posted at this URL: <https://echa.europa.eu/guidance-documents/guidance-on-reach>

## Compatible Parts



TE Part # 1217955-1  
.187 FAST FL AMVAR 0157 TPBR



TE Part # 63941-1  
RCPT 187 FL/FAST AMVR 0157TPBR



TE Part # 63942-1  
RCPT,187 FL/FAST/AMVR 0157TPBR



TE Part # 1742678-2  
187 RCPT FAST AMVR 0157TPPB



TE Part # 969116-2  
AMPLIVAR SOCKET 6,3 SPECIAL



TE Part # 1-969049-1  
AMPLIVAR STATOR BUCHS



TE Part # 1217417-1  
RCPT.187 FL/FAST AMVR .157TPB



TE Part # 1217624-1  
.187 FAST FL AMVR 0157 TPBR



TE Part # 1599721-1  
TAB REC, STATOR, AMPLIVAR



TE Part # 2-2150450-1  
OCEAN\_2.0\_Applicator-E-070F140OV



TE Part # 2-2150450-2  
OCEAN\_2.0\_Applicator-E-070F140OVA



TE Part # 2-2150540-2  
OC-PA-E-FA-150F220F-001-0054



TE Part # 2150450-1  
OCEAN\_2.0\_Applicator-E-070F140OV



TE Part # 2150450-2  
OCEAN\_2.0\_Applicator-E-070F140OVA



TE Part # 2232995-1  
187 RCPT FAST AMVR 0157TPPB



TE Part # 505081-1  
AMPLIVAR .248 DUAL BLADE PTPBR




TE Part # 63480-1  
RCPT STATOR 27-22 0173PTPBR



TE Part # 63940-1  
RCPT.187 FL/FAST AMVR 0157TPB



TE Part # 63944-1  
RCPT 250 FLG FAST AMVAR TPPHBZ



TE Part # 63964-1  
REC STATOR 2800/7400 PTPBR


Also in the Series | **AMPLIVAR**




Crimp Wire Pins, Tabs & Ferrules(5)




Magnet Wire Terminals(5)



PCB Terminals(1)



Quick Disconnects(42)

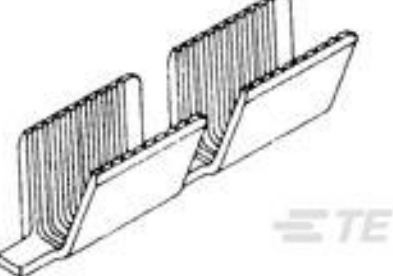


Ring Terminals & Spade Terminals(28)



Splices(78)


Customers Also Bought



TE Part #62308-2  
AMVAR SPLC 3000-7000 020TPBR



TE Part #1742977-1  
250FAST FLG RCPT AMVAR TPBR  
CMA1500-4220



TE Part #2344577-1  
MOTOR, STEPPER

Documents

Product Drawings

250 FAST FLG RCPT AMVAR TPBR

English

250 FAST FLG RCPT AMVAR TPBR

English

250 FAST FLG RCPT AMVAR TPBR



English

---

**CAD Files**

**3D PDF**

3D

**Customer View Model**

[ENG\\_CVM\\_CVM\\_1742881-1\\_B.2d\\_dxf.zip](#)

English

**Customer View Model**

[ENG\\_CVM\\_CVM\\_1742881-1\\_B.3d\\_igs.zip](#)

English

**Customer View Model**

[ENG\\_CVM\\_CVM\\_1742881-1\\_B.3d\\_stp.zip](#)

English

By downloading the CAD file I accept and agree to the [Terms and Conditions](#) of use.

---

**Product Specifications**

**Application Specification**

English

---

**Product Environmental Compliance**

**Product Compliance**

English

**Product Compliance**

English