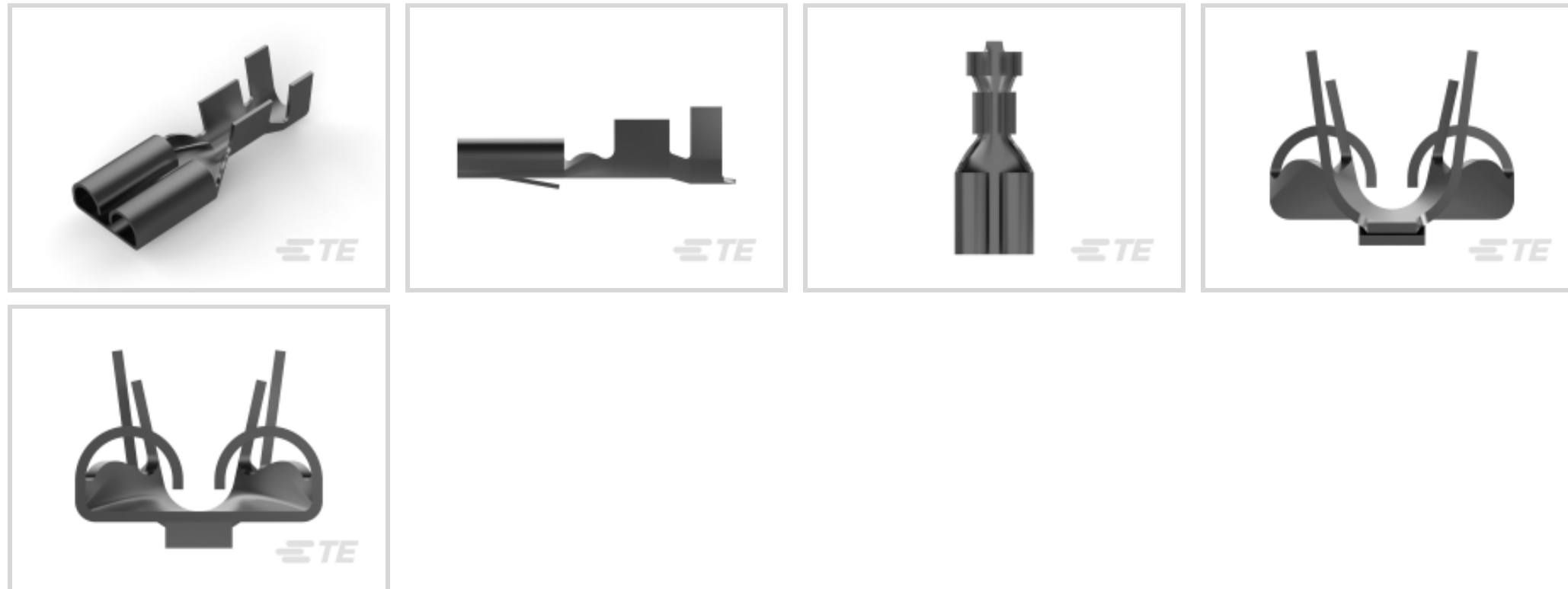




Terminals & Splices > Quick Disconnects



Quick Disconnect Terminal Type: **Receptacle**

Wire Size: **2.1 – 3.31 mm<sup>2</sup>**

Mating Tab Width: **6.35 mm [ .25 in ]**

Mating Tab Thickness: **.81 mm [ .032 in ]**

## Features

### Product Type Features

Terminates To	Wire & Cable
Wire Stop	No
Wire/Cable Type	Regular Wire
Insertion Force	Normal
Sealable	No

### Configuration Features

Connection Capacity	Single
---------------------	--------

### Contact Features

Quick Disconnect Terminal Type	Receptacle
Mating Tab Width	6.35 mm[.25 in]
Mating Tab Thickness	.81 mm[.032 in]
Terminal Orientation	Straight
Contact Base Material	Brass
Terminal Plating Material	Tin
Crimp Type	F-Crimp



Barrel Type	Open
-------------	------

### Mechanical Attachment

Mating Retention Type	Locking Lance
-----------------------	---------------

Locking Lance Height	.8 mm
----------------------	-------

Wire Insulation Support	With
-------------------------	------

### Dimensions

Accepts Wire Insulation Diameter Range	2.9 – 3.8 mm [.114 – .15 in]
--	------------------------------

Overall Length	21.5 mm [.846 in]
----------------	-------------------

Receptacle Terminal Stock Thickness	.33 mm [.013 in]
-------------------------------------	------------------

Wire Size	2.1 – 3.31 mm <sup>2</sup>
-----------	----------------------------

### Usage Conditions

Insulation Option	Uninsulated
-------------------	-------------

Operating Temperature Range	-40 – 110 °C [-40 – 230 °F]
-----------------------------	-----------------------------

### Packaging Features

Packaging Quantity	4000
--------------------	------

Packaging Method	Strip/Reel
------------------	------------

### Product Compliance

[For compliance documentation, visit the product page on TE.com>](#)

EU RoHS Directive 2011/65/EU	Compliant
------------------------------	-----------

EU ELV Directive 2000/53/EC	Compliant
-----------------------------	-----------

China RoHS 2 Directive MIIT Order No 32, 2016	No Restricted Materials Above Threshold
---	---

EU REACH Regulation (EC) No. 1907/2006	Current ECHA Candidate List: JUNE 2022 (224) Candidate List Declared Against: JAN 2022 (223) SVHC > Threshold: Not Yet Reviewed
--	--

Halogen Content	Low Halogen - Br, Cl, F, I < 900 ppm per homogenous material. Also BFR/CFR/PVC Free
-----------------	---

Solder Process Capability	Not applicable for solder process capability
---------------------------	--

#### Product Compliance Disclaimer

This information is provided based on reasonable inquiry of our suppliers and represents our current actual knowledge based on the information they provided. This information is subject to change. The part numbers that TE has identified as

EU RoHS compliant have a maximum concentration of 0.1% by weight in homogenous materials for lead, hexavalent chromium, mercury, PBB, PBDE, DBP, BBP, DEHP, DIBP, and 0.01% for cadmium, or qualify for an exemption to these limits as defined in the Annexes of Directive 2011/65/EU (RoHS2). Finished electrical and electronic equipment products will be CE marked as required by Directive 2011/65/EU. Components may not be CE marked. Additionally, the part numbers that TE has identified as EU ELV compliant have a maximum concentration of 0.1% by weight in homogenous materials for lead, hexavalent chromium, and mercury, and 0.01% for cadmium, or qualify for an exemption to these limits as defined in the Annexes of Directive 2000/53/EC (ELV). Regarding the REACH Regulation, the information TE provides on SVHC in articles for this part number is based on the latest European Chemicals Agency (ECHA) 'Guidance on requirements for substances in articles' posted at this URL: <https://echa.europa.eu/guidance-documents/guidance-on-reach>

## Compatible Parts



TE Part # 170303-1  
FF 250 REC 22-18AWG BR WITH LATCH



TE Part # 2-2150533-1  
OCEAN\_2.0\_Applicator-E-130F180F



TE Part # 2-2150533-2  
OCEAN\_2.0\_Applicator-E-130F180F



TE Part # 2-2150534-1  
OC-PA-E-FM-109F154OV-059-1104



TE Part # 2-2150534-2  
OC-PA-E-FA-109F154OV-059-1104



TE Part # 2150533-1  
OCEAN\_2.0\_Applicator-E-130F180F



TE Part # 2150533-2  
OCEAN\_2.0\_Applicator-E-130F180F



TE Part # 2150534-1  
OC-AT-E-FM-109F154OV-059-1104



TE Part # 2150534-2  
OC-AT-E-FA-109F154OV-059-1104



TE Part # 2819183-1  
.250 SERIES FASTIN FASTON REC.



TE Part # 7-2150533-1  
OCEAN\_2.0\_Applicator-E-130F180F



TE Part # 7-2150533-2  
OCEAN\_2.0\_Applicator-E-130F180F



**KIT** REPRESENTATION ONLY

TE Part # 7-2150533-7  
OCEAN\_2.0\_SPARE\_PART\_KIT-130F180F

## Also in the Series | FASTIN-FASTON 250



Crimp Terminal Housings(218)



Insertion & Extraction Tools(2)



PCB Terminals(2)

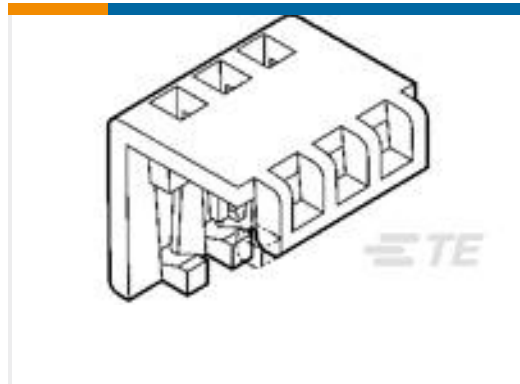


Quick Disconnects(255)

## Customers Also Bought



TE Part #3-644540-7  
Nylon Tin Plated Receptacle: 2.54mm, With Mating Alignment, MTA 100



TE Part #643075-7  
07P MTA100 MOLDED COVER



TE Part #150530-1  
FASTON 375 AM REC 2-6MM2 0.2X1.062 BR



TE Part #41829-1  
250 FASTON REC 14-12 AWG TPBR



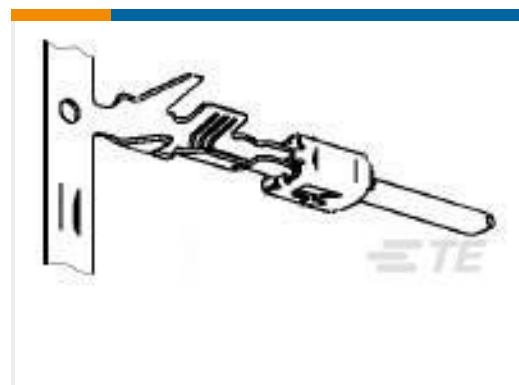
TE Part #63241-3  
FF 110 REC 22-18AWG PTBR



TE Part #2103124-1  
HVA280 2P HEADER ASSY, KEY A



TE Part #1-968853-3  
AMP MCP 2.8, CONTACT



TE Part #2-2141598-2  
TAB 2.8x0.8 CONTACT CF SRC Ag



TE Part #316836-1  
040-3 REC CONT. S

## Documents

### Product Drawings

[FF 250 REC 14-12AWG TPBR](#)

Japanese

### CAD Files

[3D PDF](#)

3D

### Customer View Model

[ENG\\_CVM\\_CVM\\_170089-2\\_P\\_c-170089-2-p.2d\\_dxf.zip](#)



English

**Customer View Model**

[ENG\\_CVM\\_CVM\\_170089-2\\_P\\_c-170089-2-p.3d\\_igs.zip](#)

English

**Customer View Model**

[ENG\\_CVM\\_CVM\\_170089-2\\_P\\_c-170089-2-p.3d\\_stp.zip](#)

English

By downloading the CAD file I accept and agree to the [Terms and Conditions](#) of use.

## Product Specifications

[Crimping of 250 Series Tab and Receptacle Contacts](#)

Japanese

[Application Specification](#)

Japanese

[Application Specification](#)

Japanese

[Crimping of 250 Series Tab and Receptacle Contacts](#)

Japanese