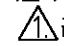

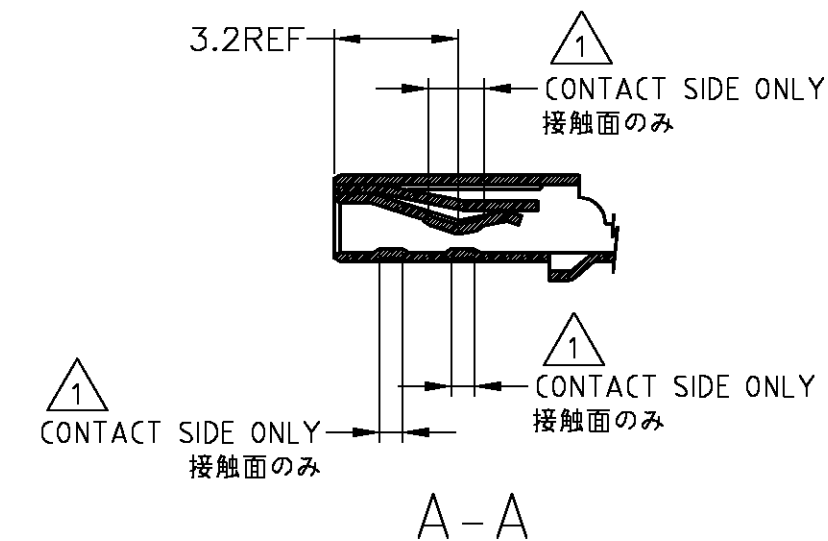
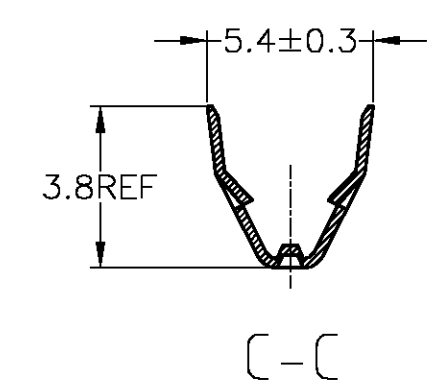
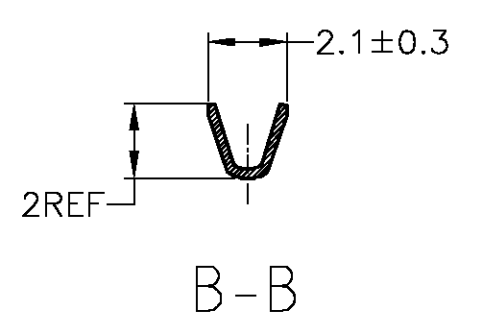
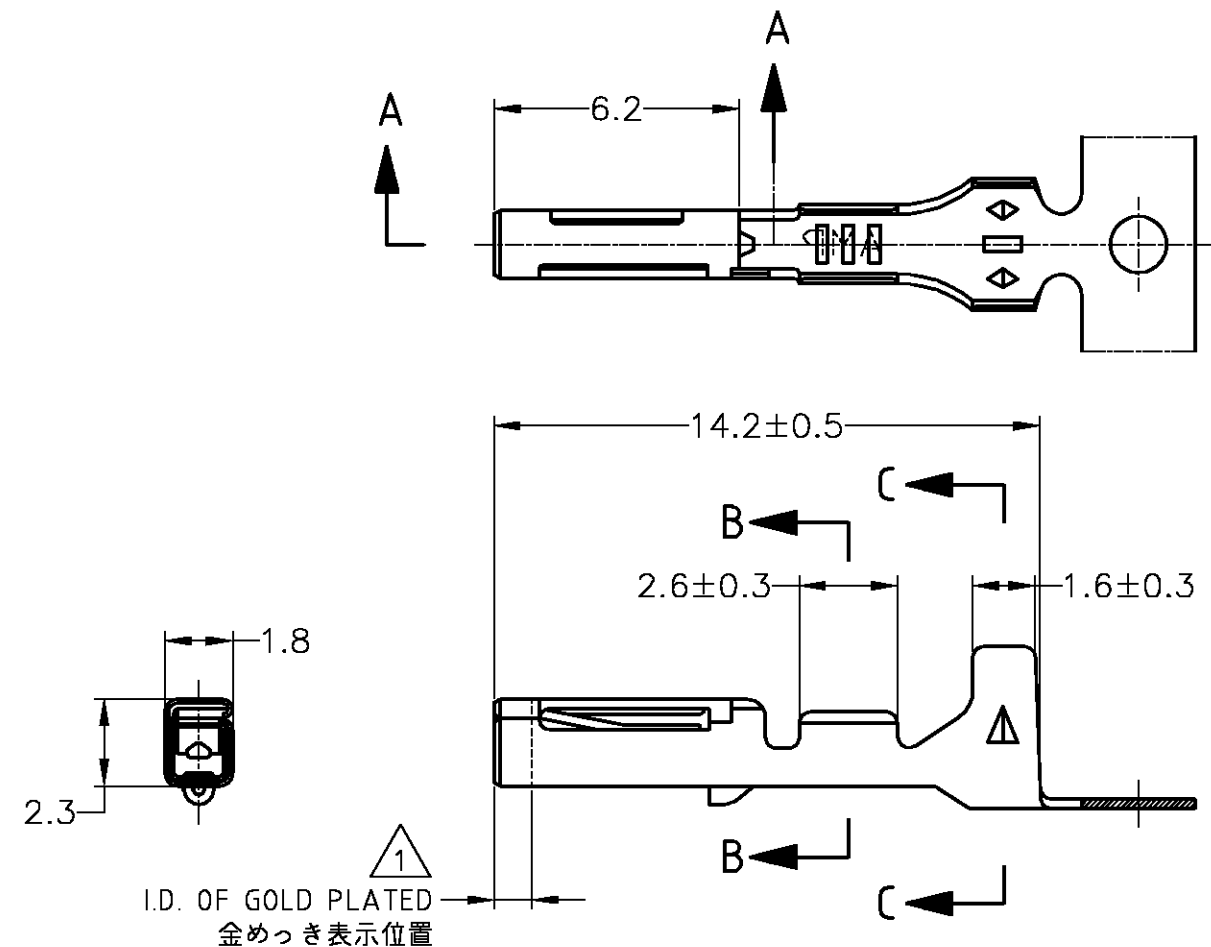


THIS DRAWING IS UNPUBLISHED. RELEASED FOR PUBLICATION

© COPYRIGHT BY TYCO ELECTRONICS CORPORATION. ALL RIGHTS RESERVED.

LOC	DIST	REVISIONS					
		P	LTR	DESCRIPTION	DATE	DWN	APVD
J	—	E3	REVISED	ECR-06-018497	07AUG06	SM	KB

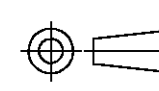
注;
 部分金めっき
 NOTE;
 SELECTIVE GOLD



TOLERANCES UNLESS OTHERWISE SPECIFIED:
 一般公差

10 ≥	±0.2
30 ≥ > 10	±0.25
100 ≥ > 30	±0.3
ANGLE : ±3°	

THIS DRAWING IS A CONTROLLED DOCUMENT.

DIMENSIONS: 単位: 耗 mm	TOLERANCES UNLESS OTHERWISE SPECIFIED: 一般公差
	0 PLC ±- 1 PLC ±- 2 PLC ±- 3 PLC ±- 4 PLC ±- ANGLES ±-
MATERIAL 材料 PHOS. BRONZE, THK 0.25 りん青銅、板厚; 0.25	FINISH 仕上 SEE TABLE

DWN T.SHINOHARA 25MAY04	Tyco Electronics AMP K.K. Kawasaki, Japan	
CHK K.BETSUI 25MAY04	NAME 名称 040 SERIES RECEPTACLE CONTACT	
APVD K.BETSUI 25MAY04	SIZE A3	RESTRICTED TO —
PRODUCT SPEC 製品規格 —	CAGE CODE 00779	DRAWING NO 番号 C-173681
APPLICATION SPEC 取付適用規格 114-5094	WEIGHT 0.262	SCALE 尺度 5:1
CUSTOMER DRAWING	WIRE RANGE (包含電線断面積) 0.3~0.56mm ² (AWG#22~20)	INSULATION DIA. (被覆外径) 1.8~2 mmφ
	SEE DRAWING 173681-6	173681-6
	175062-2 SELECTIVE GOLD	173681-2
	175062-1 PRE-TINNED	173681-1
	LOOSE PIECES NUMBER	PART NUMBER
	SCALE 尺度 5:1	SHEET 1 OF 1
		REV E3