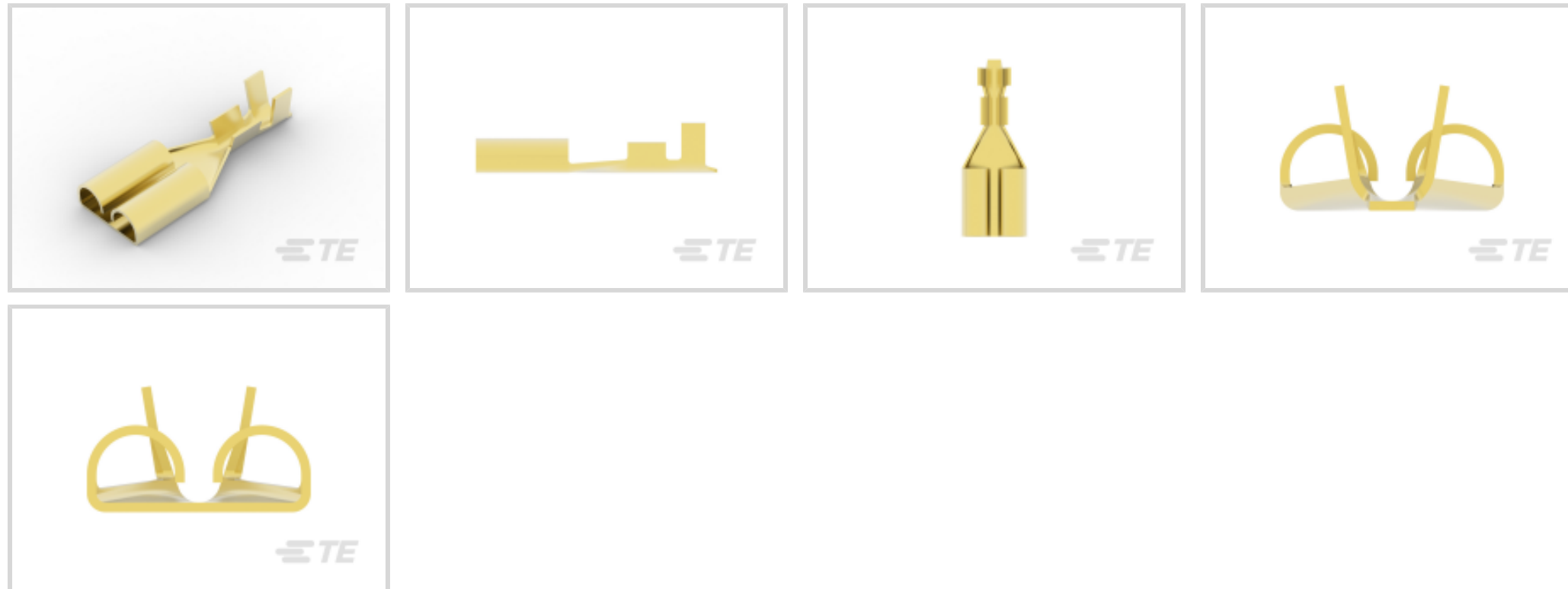




Terminals & Splices > Quick Disconnects



Quick Disconnect Terminal Type: **Receptacle**

Wire Size: .32 – .82 mm²

Mating Tab Width: 6.35 mm [.25 in]

Mating Tab Thickness: .81 mm [.032 in]

Features

Product Type Features

| | |
|-----------------|--------------|
| Terminates To | Wire & Cable |
| Wire Stop | No |
| Wire/Cable Type | Regular Wire |
| Insertion Force | Normal |
| Sealable | No |

Configuration Features

| | |
|---------------------|--------|
| Connection Capacity | Single |
|---------------------|--------|

Contact Features

| | |
|--------------------------------|------------------|
| Quick Disconnect Terminal Type | Receptacle |
| Mating Tab Width | 6.35 mm [.25 in] |
| Mating Tab Thickness | .81 mm [.032 in] |
| Terminal Orientation | Straight |
| Contact Base Material | Brass |
| Terminal Plating Material | Unplated |
| Crimp Type | F-Crimp |



| | |
|-------------|------|
| Barrel Type | Open |
|-------------|------|

Mechanical Attachment

| | |
|-----------------------|--------|
| Mating Retention Type | Dimple |
|-----------------------|--------|

| | |
|-------------------------|------|
| Wire Insulation Support | With |
|-------------------------|------|

Dimensions

| | |
|--|-------------------------------|
| Accepts Wire Insulation Diameter Range | 1.52 – 2.6 mm [.06 – .102 in] |
|--|-------------------------------|

| | |
|-------------------------------------|------------------|
| Receptacle Terminal Stock Thickness | .33 mm [.013 in] |
|-------------------------------------|------------------|

| | |
|-----------|---------------------------|
| Wire Size | .32 – .82 mm ² |
|-----------|---------------------------|

Usage Conditions

| | |
|-------------------|-------------|
| Insulation Option | Uninsulated |
|-------------------|-------------|

| | |
|-----------------------------|-----------------------------|
| Operating Temperature Range | -40 – 110 °C [-40 – 230 °F] |
|-----------------------------|-----------------------------|

Industry Standards

| | |
|-----------|--------|
| UL Rating | Listed |
|-----------|--------|

| | |
|---------------|-----|
| CSA Certified | Yes |
|---------------|-----|

Packaging Features

| | |
|--------------------|------|
| Packaging Quantity | 6000 |
|--------------------|------|

| | |
|------------------|------------|
| Packaging Method | Strip/Reel |
|------------------|------------|

Other

| | |
|---------|--|
| Comment | "Stress relieving process determines finish, i.e., inert gas furnace produces matte finish and atmospheric furnace followed by acid pickle produces bright finish.", Without Locking Lance |
|---------|--|

Product Compliance

[For compliance documentation, visit the product page on TE.com>](#)

| | |
|------------------------------|-----------|
| EU RoHS Directive 2011/65/EU | Compliant |
|------------------------------|-----------|

| | |
|-----------------------------|-----------|
| EU ELV Directive 2000/53/EC | Compliant |
|-----------------------------|-----------|

| | |
|---|---|
| China RoHS 2 Directive MIIT Order No 32, 2016 | No Restricted Materials Above Threshold |
|---|---|

| | |
|--|--|
| EU REACH Regulation (EC) No. 1907/2006 | Current ECHA Candidate List: JUNE 2022 (224) Candidate List Declared Against: JAN 2022 (223) SVHC > Threshold: Not Yet Reviewed |
|--|--|

Halogen Content

Low Halogen - Br, Cl, F, I < 900 ppm per homogenous material. Also BFR/CFR/PVC Free

Solder Process Capability

Not applicable for solder process capability

Product Compliance Disclaimer

This information is provided based on reasonable inquiry of our suppliers and represents our current actual knowledge based on the information they provided. This information is subject to change. The part numbers that TE has identified as EU RoHS compliant have a maximum concentration of 0.1% by weight in homogenous materials for lead, hexavalent chromium, mercury, PBB, PBDE, DBP, BBP, DEHP, DIBP, and 0.01% for cadmium, or qualify for an exemption to these limits as defined in the Annexes of Directive 2011/65/EU (RoHS2). Finished electrical and electronic equipment products will be CE marked as required by Directive 2011/65/EU. Components may not be CE marked. Additionally, the part numbers that TE has identified as EU ELV compliant have a maximum concentration of 0.1% by weight in homogenous materials for lead, hexavalent chromium, and mercury, and 0.01% for cadmium, or qualify for an exemption to these limits as defined in the Annexes of Directive 2000/53/EC (ELV). Regarding the REACH Regulation, the information TE provides on SVHC in articles for this part number is based on the latest European Chemicals Agency (ECHA) 'Guidance on requirements for substances in articles' posted at this URL: <https://echa.europa.eu/guidance-documents/guidance-on-reach>

Compatible Parts



TE Part # 170032-1
250 FASTON,REC.,20-14 AWG,BR



TE Part # 63127-1
250 FASTON REC 22-18 AWG BR



TE Part # 170032-2
250 FASTON,REC.,20-14 AWG,BR



TE Part # 170032-5
250 FASTON,REC.,20-14 AWG,TPBR



TE Part # 42743-1
250 FASTON REC 22-18 AWG BR



TE Part # 42510-1
250 FASTON REC 22-18 AWG BR



TE Part # 170032-6
250 FASTON,REC.,20-14 AWG,TPBR



TE Part # 61404-1
250 FASTON REC 22-18 AWG BR



TE Part # 1494217-1
110 FASTON,REC.,18-22 AWG,PB



TE Part # 170304-1
250 FASTON,REC.,22-18 AWG,BR



TE Part # 170032-4
250 FASTON,REC.,20-14 AWG,TPBR



TE Part # 170304-6
250 FASTON,REC.,22-18 AWG,BR

Also in the Series | **FASTON 250**



Compression Connectors(4)



Crimp Terminal Housings(143)



Insertion & Extraction Tools(6)



Magnet Wire Terminals(1)



PCB Terminals(144)



Quick Disconnects(456)

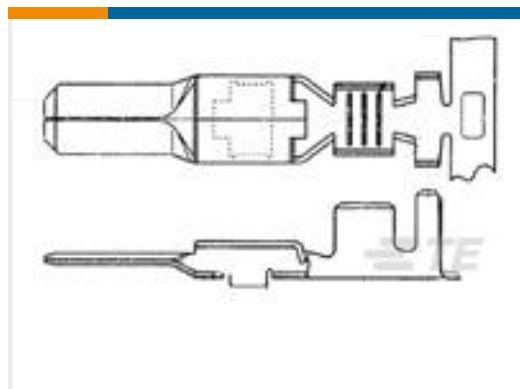


Splices(4)

Customers Also Bought



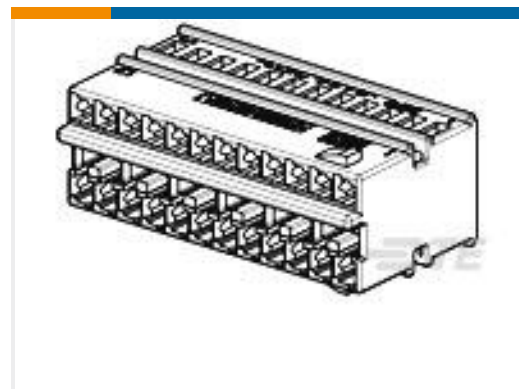
TE Part #776532-3
AS 16, 8P PLUG ASSY, RD, KEY 3



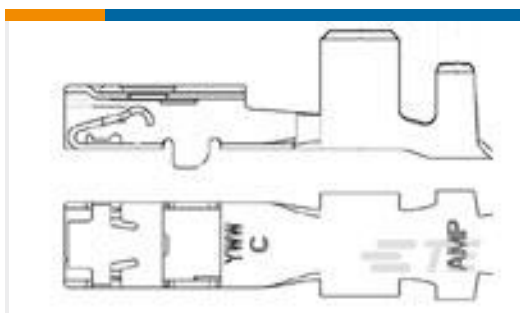
TE Part #175048-1
FF 187 TAB 2-3MM2 PTBR



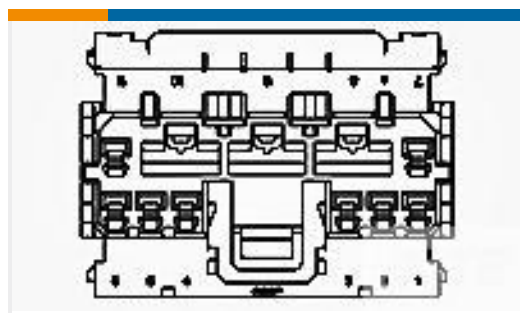
TE Part #2292797-3
AS16 BACKSHELL, 2P PLUG, NC08, MC



TE Part #284224-2
24 POS. REC. CONN. ASS'Y FOR AIR BAG



TE Part #1326030-5
2.8MM RECP, UNSEAL, 22AWG, REVREE



TE Part #174927-1
070 MLC W-W PLUG HSG 15P



TE Part #YHDP26-24-29SEL024
DEUTSCH HDP20 HOUSINGS



TE Part #172128-2
FF 250 REC HSG 1P NYLON BLCBK



TE Part #1217825-1
FLUORESCENT TUBE SOCKET TERMINAL

Documents



Product Drawings

[250 FASTON,REC.,22-18 AWG,BR](#)

English

CAD Files

[3D PDF](#)

3D

Customer View Model

[ENG_CVM_CVM_170304-2_H_c-170304-2-h.2d_dxf.zip](#)

English

Customer View Model

[ENG_CVM_CVM_170304-2_H_c-170304-2-h.3d_igs.zip](#)

English

Customer View Model

[ENG_CVM_CVM_170304-2_H_c-170304-2-h.3d_stp.zip](#)

English

By downloading the CAD file I accept and agree to the [Terms and Conditions](#) of use.

Product Specifications

[Product Specification](#)

English