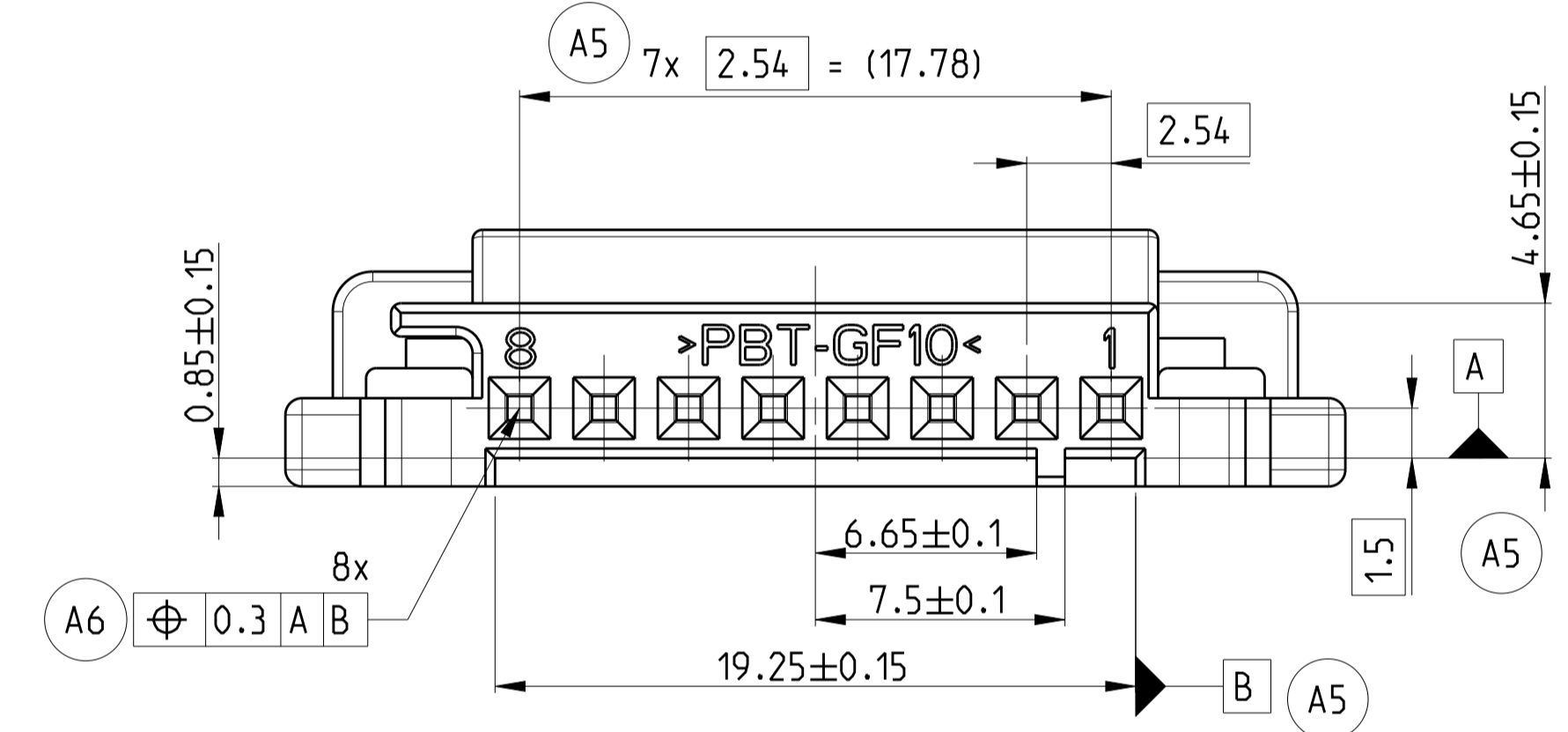
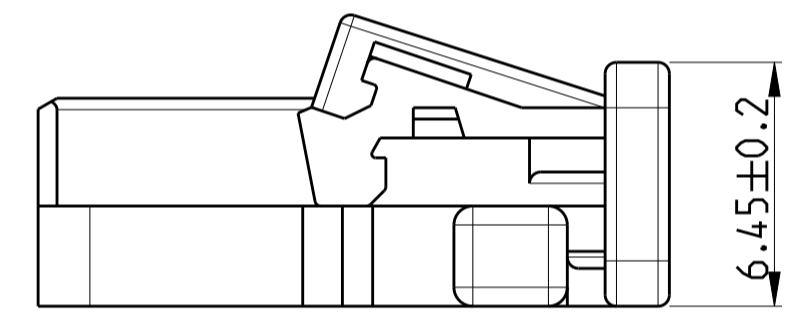
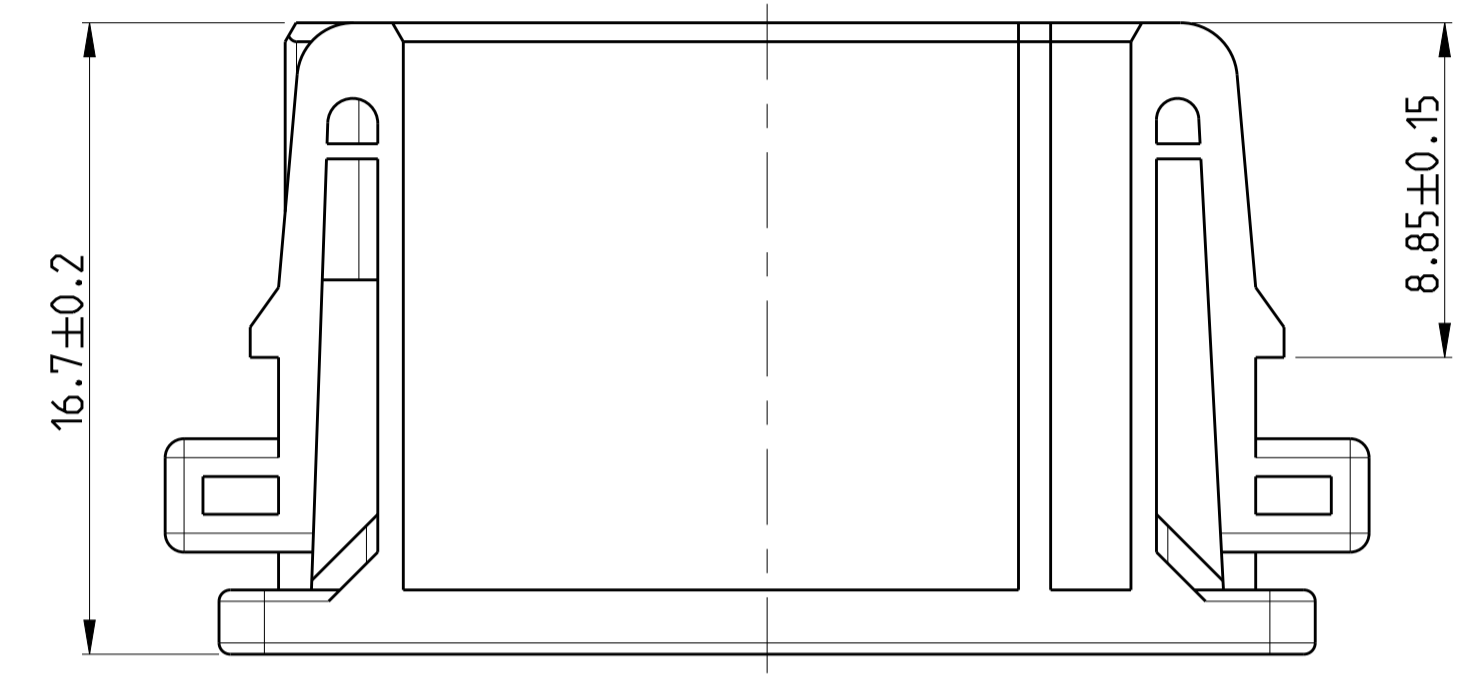
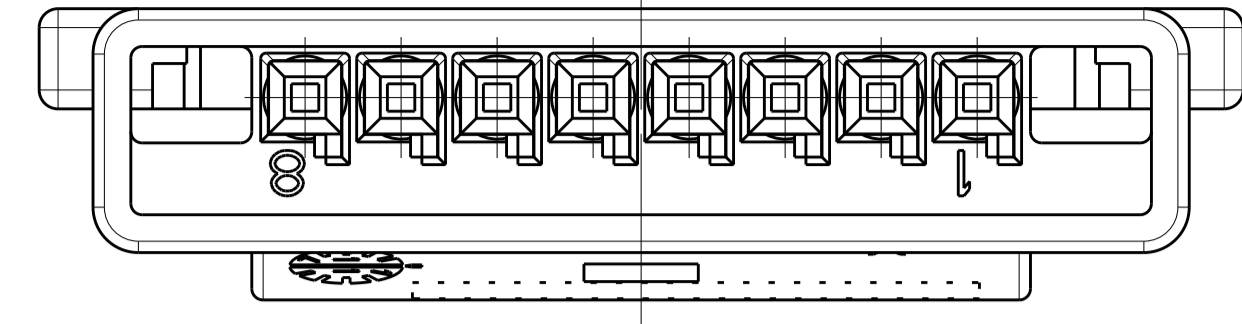
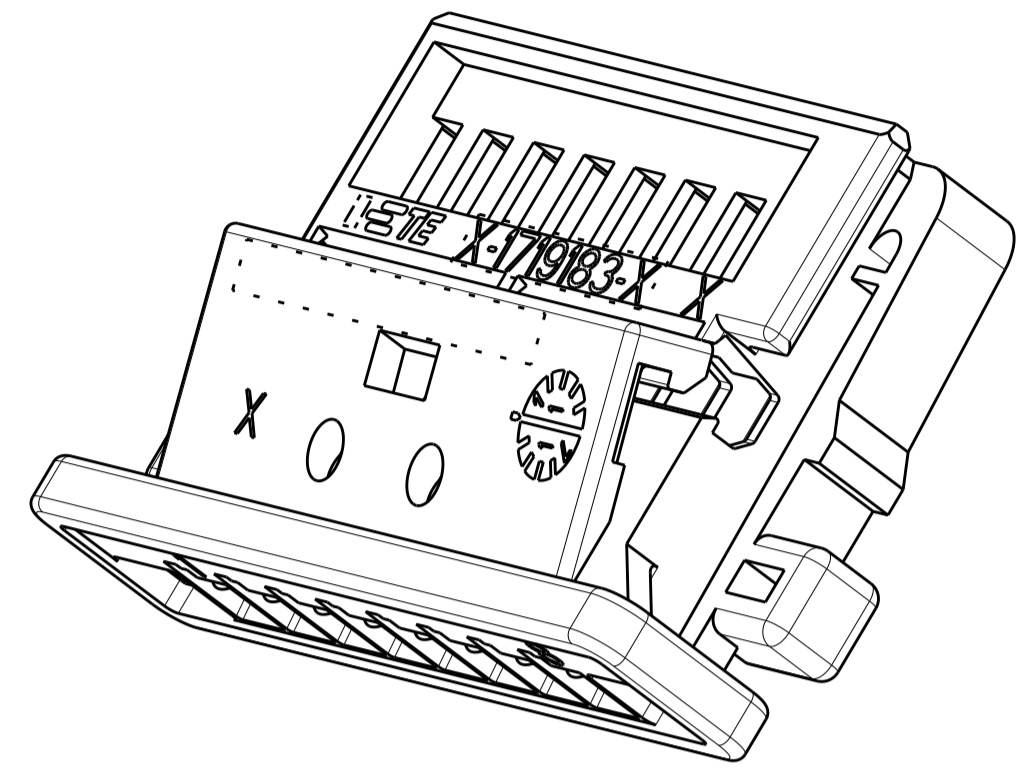


LOC	DIST	REVISIONS				
PROJ. NO.	REV.	DATE	BY	APPV	DESCRIPTION	
EGATM04127	A3	19APR2013	MR	RBT	-2 AND -3 ACTIVE	
	A4	30APR2013	MDG	RBT	NOTE 3. UPDATED WITH TE PN 114-64011	
	A5	24MAR2017	JU	HS	DRAWING ADAPTED ACC. PROD. DRAWING	
	A6	06SEP2017	JU	HS	DRAWING ERROR CORRECTED	

RETAINER IN PRE-LOCKED POSITION
(CONDITION AS DELIVERY)
2. Kontaktsicherung in Vorraststellung
(Anlieferungszustand)



RETAINER IN LOCKED POSITION
2. Kontaktsicherung in Endraststellung

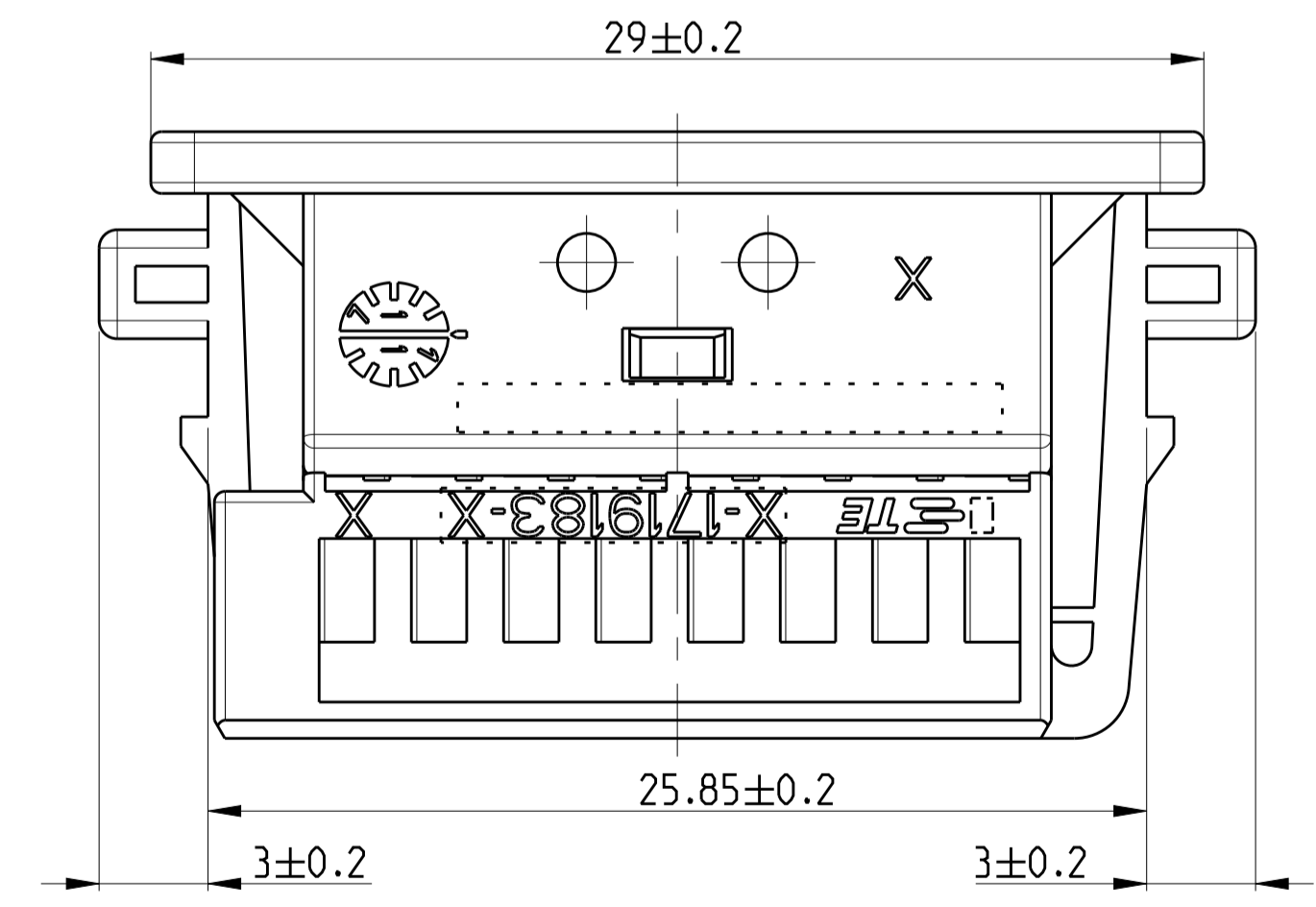
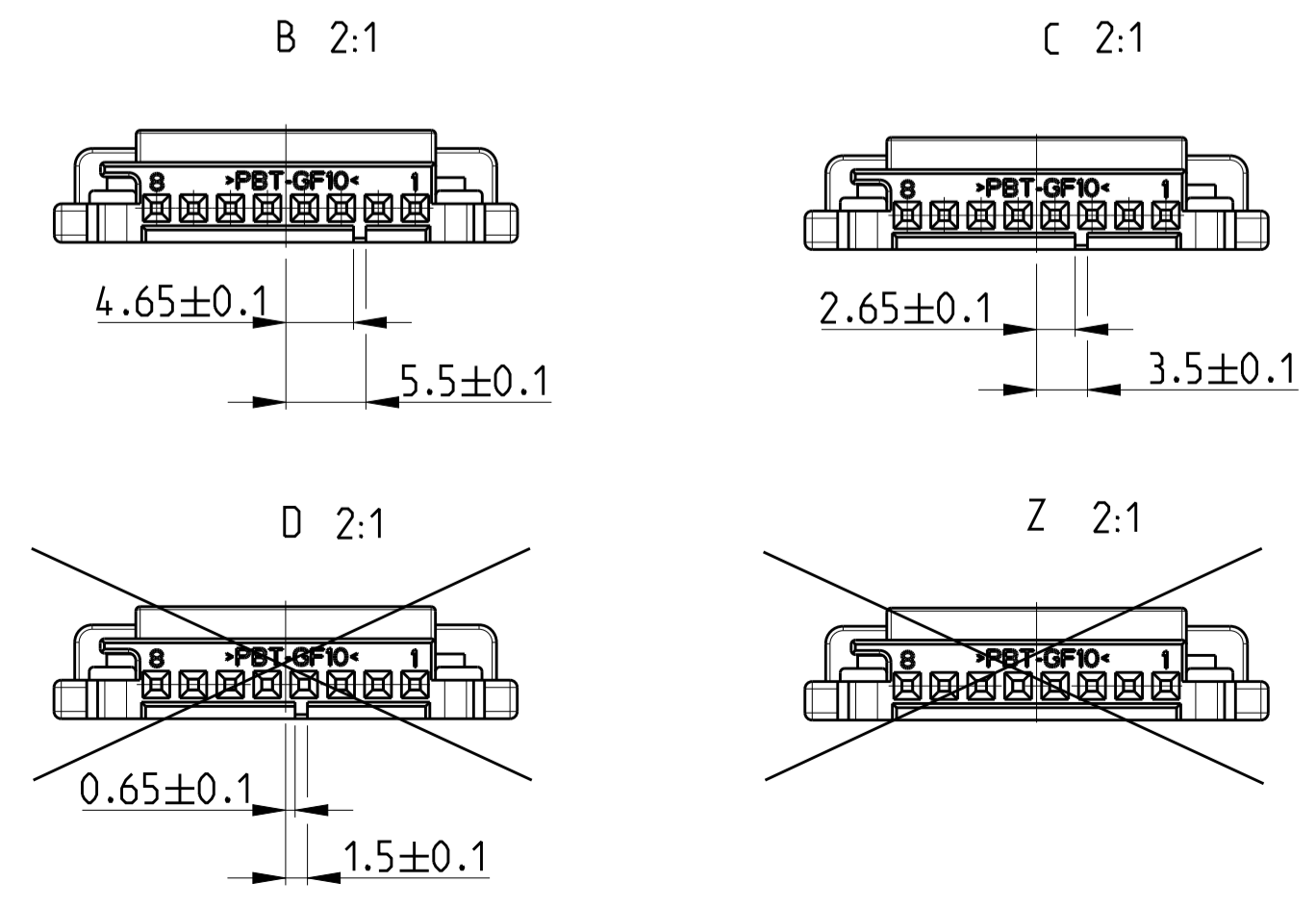
Notes

- 1 MOULD BURRS MAX. 0.3 PERMITTED
- 2 PACKAGING: LOOSE PIECE IN BOX
- 3 SHROUDED CONNECTION SEE TE-DRAWING 114-64011
- 4 CONDITION AS DELIVERY: RETAINER IN PRE-LOCKED POSITION
- 5 SUITABLE TO CONTACT: SEE DRAWING 929454
- 6 SUITABLE TO WIRE RANGE 0.2-0.75mm²

Bemerkungen

- 1 Formteilungsgrat max. 0.3 zulaessig
- 2 Verpackung: Schuetztgut in Karton
- 3 Kragenanschluss siehe TE-Zeichnung 114-64011
- 4 Anlieferungszustand: 2. Kontaktsicherung in Vorraststellung
- 5 Passend zu Kontakt: siehe Zeichnung 929454
- 6 Passend zu Leitungsquerschnitt: 0.2-0.75mm²

CODINGS / Kodierung



TE Part No.	REV	COD.	COLOR	SIM.	RAL	REGRIND
TE-Teile-Nr	Kod.	Farbe	aehnl. Farbe			
1719183-5	A	Z	WATER BLUE	5021		20%
1719183-4	A	D	CLARET VIOLET	4004		20%
1719183-3	A	C	BLUE	5012		20%
1719183-2	A	B	NATURE	-		20%
1719183-1	A	A	BLACK	9011		20%

<p>THIS DRAWING IS A CONTROLLED DOCUMENT.</p> <p>DATE: 05SEP2005 CHECKED BY: Leonhardt DRAWN BY: T. Schmoekel</p>		<p>TE Connectivity</p> <p>8POS. MQS. RECEPTABLE HOUSING 8pol. MQS. Buchsengehäuse</p>	
<p>MATERIAL: PBT-GF 10</p> <p>WEIGHT: 1.58</p>		<p>SCALE: 5:1</p> <p>SHEET 1 OF 1</p>	