

172193-1 ✓ ACTIVE

AMP | Econoseal, Econoseal J - Mark II

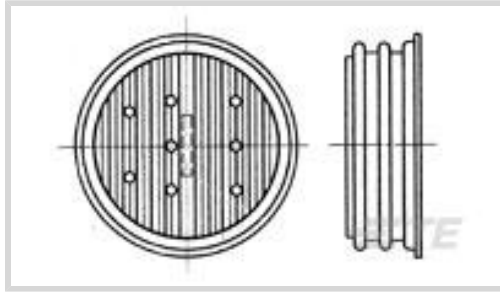
TE Internal #: 172193-1

Automotive Seals & Cavity Plugs, Facial Seal, Other, Black, -30 – 105 °C [-22 – 221 °F], Econoseal J - Mark II

[View on TE.com >](#)



Connectors > Automotive Connectors > Seals & Cavity Plugs



Connector Seal Type: **Facial Seal**

Accepts Cable Insulation Diameter Range: **2 – 3.4 mm [.079 – .134 in]**

Seal Material: **Other**

Operating Temperature (Max): **65 °C, 70 °C, 75 °C, 80 °C, 85 °C, 90 °C, 100 °C, 105 °C [149 °F, 158 °F, 167 °F, 176 °F, 185 °F, 194 °F, 212 °F, 221 °F]**

Primary Product Color: **Black**

Features

Product Type Features

Connector Seal Type	Facial Seal
---------------------	-------------

Body Features

Seal Material	Other
Primary Product Color	Black

Dimensions

Accepts Cable Insulation Diameter Range	2 – 3.4 mm [.079 – .134 in]
---	-----------------------------

Usage Conditions

Operating Temperature (Max)	65 °C, 70 °C, 75 °C, 80 °C, 85 °C, 90 °C, 100 °C, 105 °C [149 °F][158 °F][167 °F][176 °F][185 °F][194 °F][212 °F][221 °F]
Operating Temperature Range	-30 – 105 °C[-22 – 221 °F]

Packaging Features

Packaging Quantity	500
Packaging Method	Bag

Product Compliance

[For compliance documentation, visit the product page on TE.com>](#)

EU RoHS Directive 2011/65/EU	Compliant
------------------------------	-----------

EU ELV Directive 2000/53/EC	Compliant
China RoHS 2 Directive MIIT Order No 32, 2016	No Restricted Materials Above Threshold
EU REACH Regulation (EC) No. 1907/2006	Current ECHA Candidate List: JUNE 2022 (224) Candidate List Declared Against: JUL 2019 (201) SVHC > Threshold: Not Yet Reviewed
Halogen Content	BFR/CFR/PVC Free, but Br/Cl >900 ppm in other sources.
Solder Process Capability	Not reviewed for solder process capability

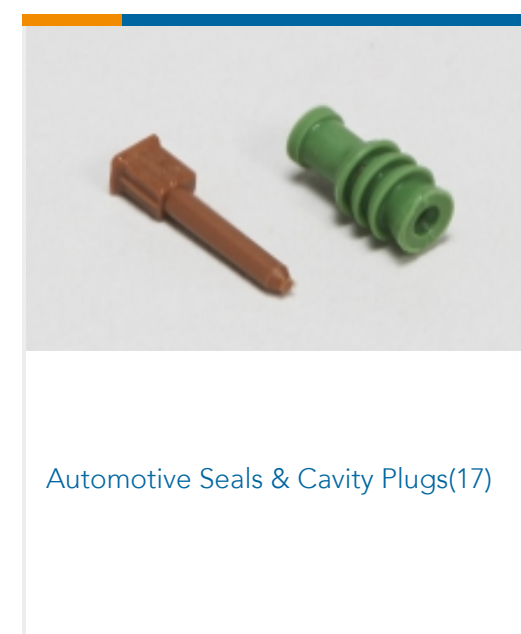
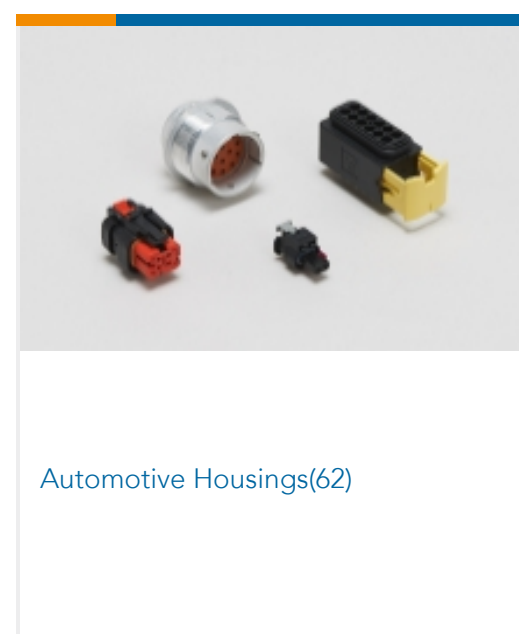
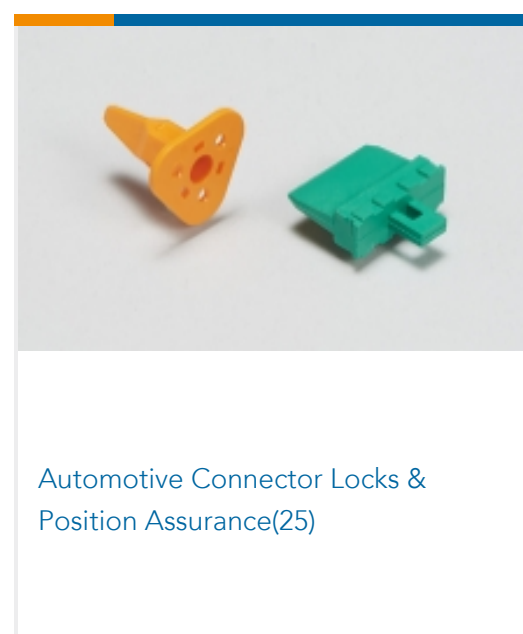
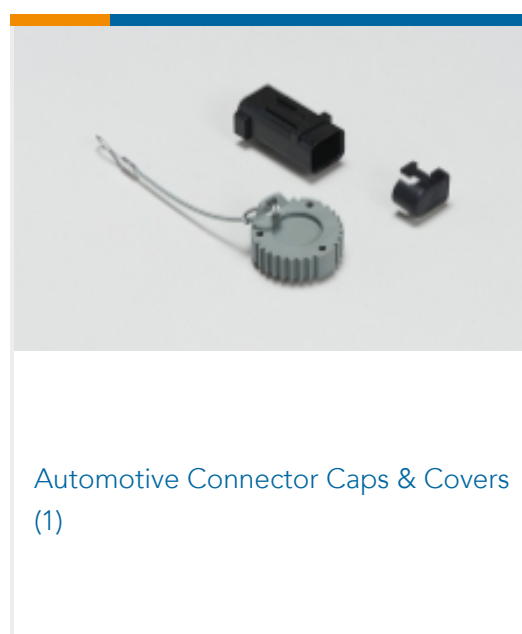
Product Compliance Disclaimer

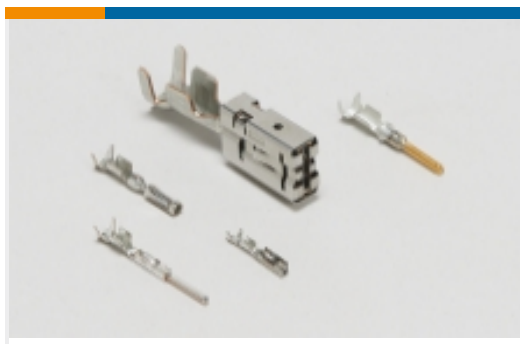
This information is provided based on reasonable inquiry of our suppliers and represents our current actual knowledge based on the information they provided. This information is subject to change. The part numbers that TE has identified as EU RoHS compliant have a maximum concentration of 0.1% by weight in homogenous materials for lead, hexavalent chromium, mercury, PBB, PBDE, DBP, BBP, DEHP, DIBP, and 0.01% for cadmium, or qualify for an exemption to these limits as defined in the Annexes of Directive 2011/65/EU (RoHS2). Finished electrical and electronic equipment products will be CE marked as required by Directive 2011/65/EU. Components may not be CE marked. Additionally, the part numbers that TE has identified as EU ELV compliant have a maximum concentration of 0.1% by weight in homogenous materials for lead, hexavalent chromium, and mercury, and 0.01% for cadmium, or qualify for an exemption to these limits as defined in the Annexes of Directive 2000/53/EC (ELV). Regarding the REACH Regulation, the information TE provides on SVHC in articles for this part number is based on the latest European Chemicals Agency (ECHA) 'Guidance on requirements for substances in articles' posted at this URL: <https://echa.europa.eu/guidance-documents/guidance-on-reach>

Compatible Parts



Also in the Series | Econoseal

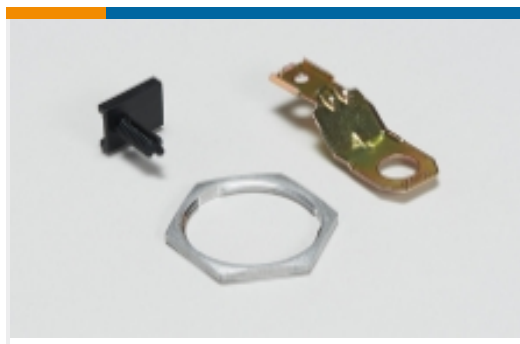




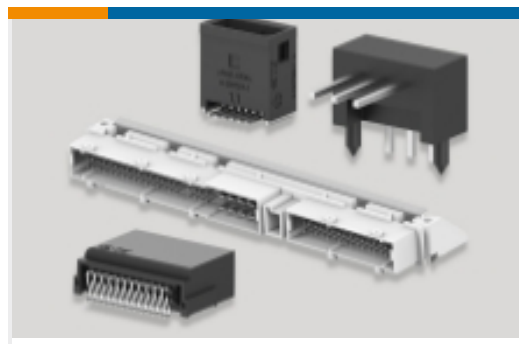
Automotive Terminals(47)



Insertion & Extraction Tools(7)

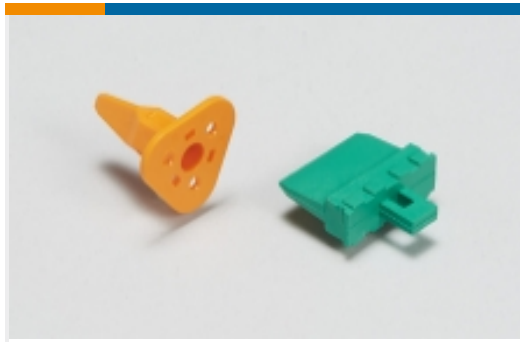


Other Automotive Connector Accessories(5)



PCB Headers & Receptacles(4)

Also in the Series | Econoseal J - Mark II



Automotive Connector Locks & Position Assurance(18)



Automotive Housings(41)

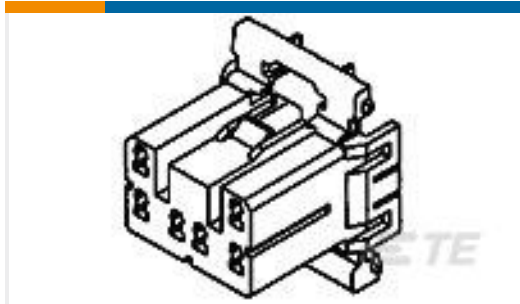


Automotive Seals & Cavity Plugs(8)



Other Automotive Connector Accessories(4)

Customers Also Bought



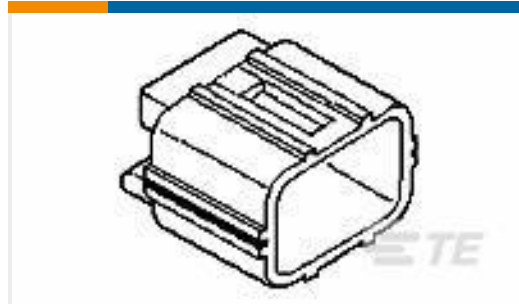
TE Part #173852-1
070 MULTILOCK PLUG 14P



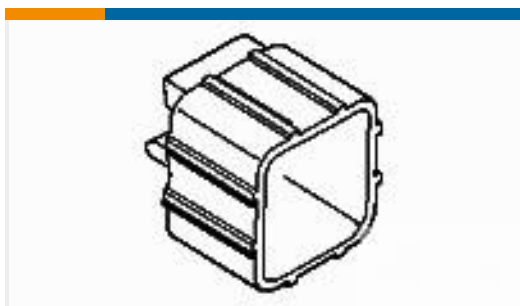
TE Part #1473672-2
025 PLUG ASSY



TE Part #170092-4
FF 250 REC 18-14AWG TPBR
REREELING



TE Part #1-174355-1
E-J MK-2 CAP HSG 2P NATURAL
REREELING



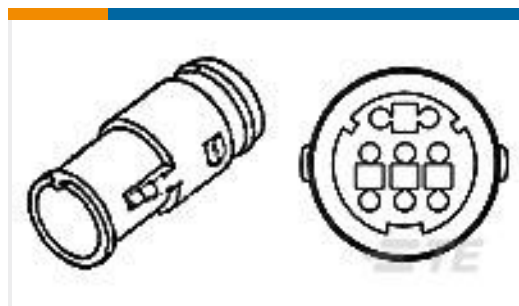
TE Part #1-174985-1
E-J MK-2 CAP HSG 8P NATURAL



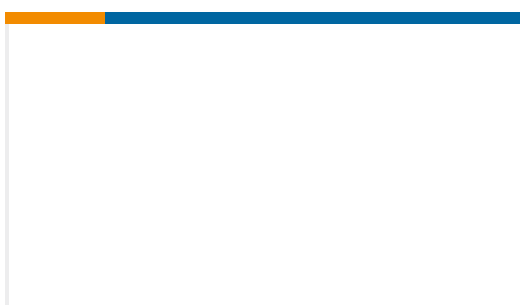
TE Part #172189-1
ECONOSEAL-J FILTER CHIP



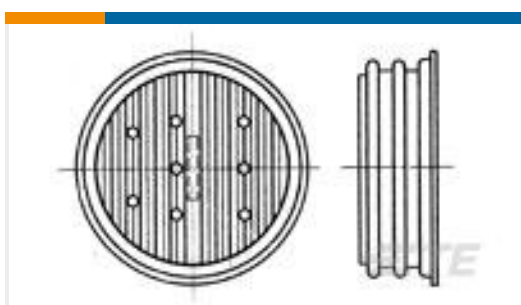
TE Part #1-174983-1
E-J MK-2 PLUG HSG 8P NATUDRAL



TE Part #172192-1
ECONOSEAL-J CONN CAP 8P



TE Part #172205-1
ECONOSEAL-J CONN CAP 4P NTRL



TE Part #172203-1
ECONOSEAL-J CONN RUBBER 3P



Documents

Product Drawings

ECONOSEAL-J CONN RUBBER 8P

English

CAD Files

Customer View Model

ENG_CVM_CVM_172193-1_B.2d_dxf.zip

English

3D PDF

3D

Customer View Model

ENG_CVM_CVM_172193-1_B.3d_igs.zip

English

Customer View Model

ENG_CVM_CVM_172193-1_B.3d_stp.zip

English

By downloading the CAD file I accept and agree to the [Terms and Conditions](#) of use.

Product Specifications

Product Specification

Japanese

Product Environmental Compliance

TE Material Declaration

English

Instruction Sheets

Customer Manual (non U.S.)

English

AMP ECONOSEAL* SERIES "J" CONNECTOR

English

Customer Manual (non U.S.)

Japanese

AMP ECONOSEAL* SERIES "J" CONNECTOR

Japanese