



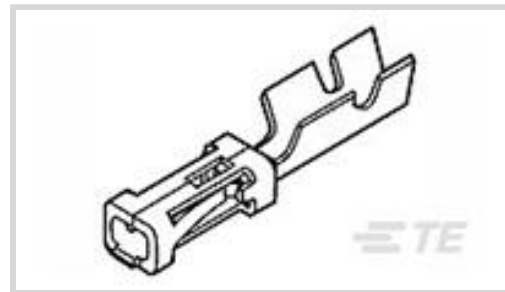
AMPMODU

TE Internal #: 166309-1

Connector Contact, Socket, Wire-to-Board, 24 – 20 AWG Wire Size, 394.71 – 1184.12 CMA Wire Size, .2 – .6 mm² Wire Size, Gold, Reel, Wire & Cable, 3 A

[View on TE.com >](#)

Connectors > PCB Connectors > Wire-to-Board Connectors > Wire-to-Board Connector Contacts



Contact Type: **Socket**

Connector System: **Wire-to-Board**

Wire Size: **.2 – .6 mm²**

Features

Product Type Features

Connector System	Wire-to-Board
Connector & Contact Terminates To	Wire & Cable

Configuration Features

Compatible With Wire & Cable Type	Discrete Wire
-----------------------------------	---------------

Electrical Characteristics

Termination Resistance	12 mΩ
Insulation Resistance	5000 MΩ
Dielectric Withstanding Voltage (Max)	750 V
Operating Voltage	250 VAC

Contact Features

Mating Square Post Dimension	.64 mm[.025 in]
Wire Contact Termination Area Plating Material	Gold Flash
	30 μin
Contact Base Material	Phosphor Bronze
Contact Type	Socket
Contact Mating Area Plating Material	Gold
Contact Current Rating (Max)	3 A

Termination Features

Termination Method to Wire & Cable	Crimp
------------------------------------	-------



Mechanical Attachment

Wire Insulation Support	With
-------------------------	------

Dimensions

Accepts Wire Insulation Diameter Range	1.4 mm[.055 in]
Wire Size	.2 – .6 mm ²

Usage Conditions

Operating Temperature Range	-65 – 105 °C[-85 – 221 °F]
-----------------------------	----------------------------

Operation/Application

Circuit Application	Power & Signal
---------------------	----------------

Industry Standards

Approved Standards	CSA LR7189, UL E28476
--------------------	-----------------------

Packaging Features

Packaging Quantity	17500
Packaging Method	Reel

Product Compliance

[For compliance documentation, visit the product page on TE.com>](#)

EU RoHS Directive 2011/65/EU	Compliant
EU ELV Directive 2000/53/EC	Compliant
China RoHS 2 Directive MIIT Order No 32, 2016	No Restricted Materials Above Threshold
EU REACH Regulation (EC) No. 1907/2006	Current ECHA Candidate List: JUNE 2022 (224) Candidate List Declared Against: JUL 2021 (219) SVHC > Threshold: Not Yet Reviewed
Halogen Content	Low Halogen - Br, Cl, F, I < 900 ppm per homogenous material. Also BFR/CFR/PVC Free
Solder Process Capability	Not applicable for solder process capability

Product Compliance Disclaimer

This information is provided based on reasonable inquiry of our suppliers and represents our current actual knowledge based on the information they provided. This information is subject to change. The part numbers that TE has identified as EU RoHS compliant have a maximum concentration of 0.1% by weight in homogenous materials for lead, hexavalent chromium, mercury, PBB, PBDE, DBP, BBP, DEHP, DIBP, and 0.01% for cadmium, or qualify for an exemption to these limits as defined in the Annexes of Directive 2011/65/EU (RoHS2). Finished electrical and electronic equipment products will be CE marked as required by Directive 2011/65/EU. Components may not be CE marked. Additionally, the part

numbers that TE has identified as EU ELV compliant have a maximum concentration of 0.1% by weight in homogenous materials for lead, hexavalent chromium, and mercury, and 0.01% for cadmium, or qualify for an exemption to these limits as defined in the Annexes of Directive 2000/53/EC (ELV). Regarding the REACH Regulation, the information TE provides on SVHC in articles for this part number is based on the latest European Chemicals Agency (ECHA) 'Guidance on requirements for substances in articles' posted at this URL: <https://echa.europa.eu/guidance-documents/guidance-on-reach>

Compatible Parts



TE Part # 843473-1
EXTRACTION TOOL



TE Part # 169481-1
HANDTOOL (MOD-4)



TE Part # 2-2151020-1
OCEAN_2.0_APPLICATOR-S-055F062O



TE Part # 2-2151020-2
OCEAN_2.0_APPLICATOR-S-055F062O



TE Part # 2-2266308-1
OCEAN_2.0_Applicator-S-055F062O



TE Part # 2-2266308-2
OCEAN_2.0_Applicator-S-055F062O



TE Part # 2151020-1
OCEAN_2.0_APPLICATOR-S-055F062O



TE Part # 2151020-2
OCEAN_2.0_APPLICATOR-S-055F062O



TE Part # 2151766-1
OCEAN_2.0_Applicator-S-042F062F



TE Part # 2151766-2
OCEAN_2.0_Applicator-S-042F062F



TE Part # 2217081-1
CCII AMPMODU MOD4 REC 32-24 ASSY



TE Part # 2266308-1
OCEAN_2.0_Applicator-S-055F062O



TE Part # 2266308-2
OCEAN_2.0_Applicator-S-055F062O



TE Part # 7-2151020-1
OCEAN_2.0_APPLICATOR-S-055F062O



TE Part # 7-2151020-2
OCEAN_2.0_APPLICATOR-S-055F062O

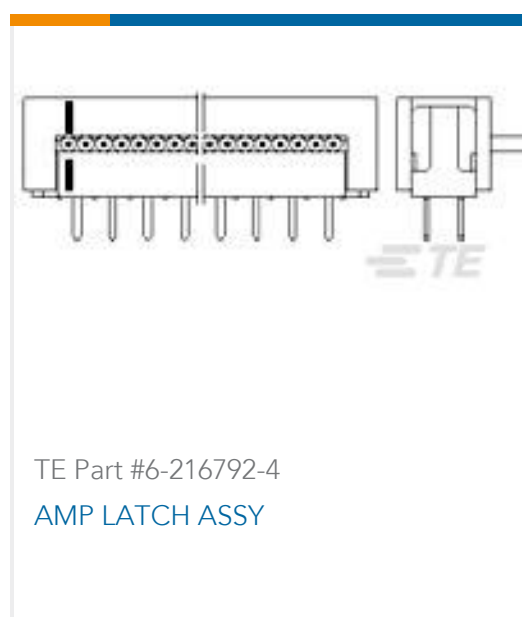
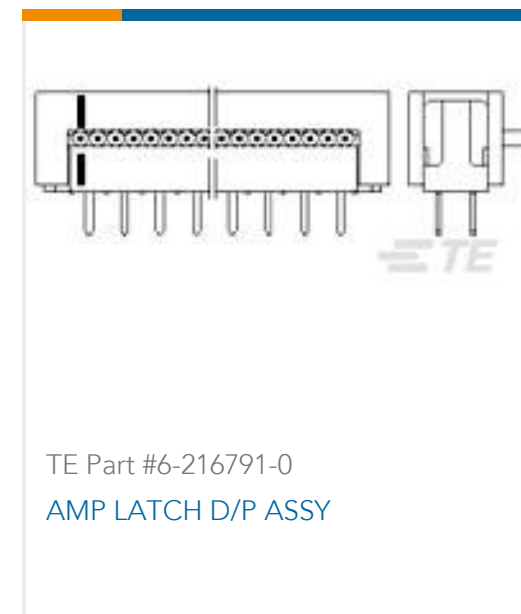
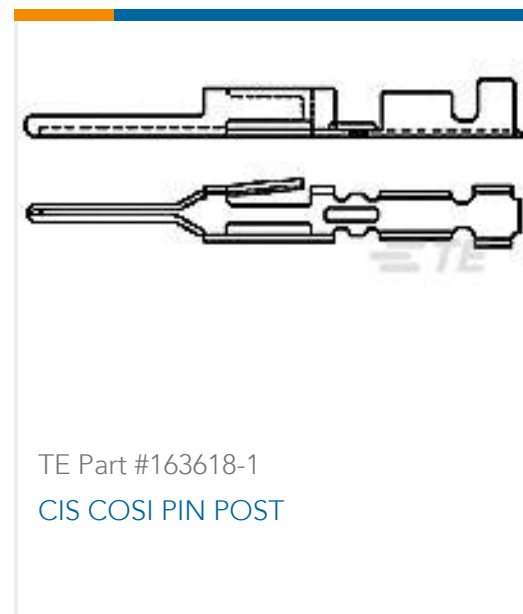


KIT
REPRESENTATION ONLY

TE Part # 7-2151020-7
OCEAN_2.0_SPARE_PART_KIT-055F062O



Customers Also Bought



Documents

CAD Files

Customer View Model

[ENG_CVM_CVM_166309-1_S.2d_dxf.zip](#)

English

3D PDF

3D

Customer View Model

[ENG_CVM_CVM_166309-1_S.3d_igs.zip](#)

English

166309-1

Connector Contact, Socket, Wire-to-Board, 24 – 20 AWG Wire Size, 394.71 – 1184.12
CMA Wire Size, .2 – .6 mm² Wire Size, Gold, Reel, Wire & Cable, 3 A



Customer View Model

[ENG_CVM_CVM_166309-1_S.3d_stp.zip](#)

English

By downloading the CAD file I accept and agree to the [Terms and Conditions](#) of use.

Datasheets & Catalog Pages

[1773393_AMPMODU_EUROPEAN_STANDARD_PRODUCTS](#)

English