

1717138-4 ✓ ACTIVE

AMP | TH/.025 Connector System

TE Internal #: 1717138-4

Housing for Female Terminals, Wire-to-Board / Wire-to-Device, 44  
Position, TH/.025 Connector System

[View on TE.com >](#)



Connectors > Automotive Connectors > Connector Housings > TH/.025 CONNECTOR SYSTEM, HOUSING



Connector & Housing Type: **Housing for Female Terminals**

Mating Tab Width: **.64 mm, 1 mm [ .025 in, .04 in ]**

Connector System: **Wire-to-Board, Wire-to-Device**

Number of Positions: **44**

Centerline (Pitch): **2.5 mm, 3 mm, 12.5 mm [ .098 in, .118 in, .492 in ]**

[All TH/.025 CONNECTOR SYSTEM, HOUSING \(202\)](#)

## Features

### Product Type Features

Connector & Housing Shape	Rectangular
Connector & Housing Type	Housing for Female Terminals
Connector System	Wire-to-Board, Wire-to-Device
Sealable	Yes
Hybrid Connector	Yes
Primary Locking Feature	Integrated in Housing

### Configuration Features

Number of Positions	44
Number of Rows	4, 5

### Electrical Characteristics

Operating Voltage	12 VDC
Nominal Voltage Architecture	12 V

### Body Features

Cable Exit Angle	180°
Body Material	PBT GF
Primary Product Color	Green

### Contact Features



Contact Size	.64mm, 1mm
Contact Type	Receptacle
Mating Tab Width	.64 mm, 1 mm[.025 in][.04 in]

### Mechanical Attachment

Mounting Feature	Without
Terminal Position Assurance	Yes
Strain Relief	Without
Mating Alignment Type	Keyed
Mating Alignment	With
Connector Mounting Type	Cable Mount (Free-Hanging)

### Housing Features

Centerline (Pitch)	2.5 mm, 3 mm, 12.5 mm[.098 in][.118 in][.492 in]
--------------------	--

### Dimensions

Product Width	46.7 mm[1.839 in]
Product Length	27.2 mm[1.071 in]
Product Height	51.6 mm[2.031 in]
Row-to-Row Spacing	2 mm, 3.75 mm[.079 in][.148 in]

### Usage Conditions

Operating Temperature (Max)	70 °C, 75 °C, 80 °C, 85 °C, 90 °C, 100 °C, 105 °C, 110 °C, 120 °C[158 °F][167 °F][176 °F][185 °F][194 °F][212 °F][221 °F][230 °F][248 °F]
Operating Temperature Range	-40 – 120 °C[-40 – 248 °F]

### Operation/Application

Circuit Application	Signal
---------------------	--------

### Industry Standards

UL Flammability Rating	UL 94HB
------------------------	---------

### Packaging Features

Packaging Quantity	35
--------------------	----

### Other

Serviceable	Yes
Connector Position Assurance Capable	No



## Product Compliance

[For compliance documentation, visit the product page on TE.com>](#)

EU RoHS Directive 2011/65/EU	Compliant
EU ELV Directive 2000/53/EC	Compliant
China RoHS 2 Directive MIIT Order No 32, 2016	No Restricted Materials Above Threshold
EU REACH Regulation (EC) No. 1907/2006	Current ECHA Candidate List: JUNE 2022 (224) Candidate List Declared Against: JUL 2021 (219) SVHC > Threshold: Not Yet Reviewed
Halogen Content	Low Halogen - Br, Cl, F, I < 900 ppm per homogenous material. Also BFR/CFR/PVC Free
Solder Process Capability	Not applicable for solder process capability

### Product Compliance Disclaimer

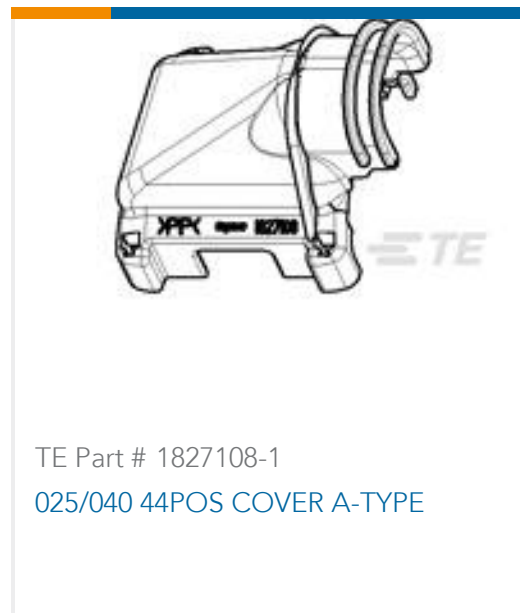
This information is provided based on reasonable inquiry of our suppliers and represents our current actual knowledge based on the information they provided. This information is subject to change. The part numbers that TE has identified as EU RoHS compliant have a maximum concentration of 0.1% by weight in homogenous materials for lead, hexavalent chromium, mercury, PBB, PBDE, DBP, BBP, DEHP, DIBP, and 0.01% for cadmium, or qualify for an exemption to these limits as defined in the Annexes of Directive 2011/65/EU (RoHS2). Finished electrical and electronic equipment products will be CE marked as required by Directive 2011/65/EU. Components may not be CE marked. Additionally, the part numbers that TE has identified as EU ELV compliant have a maximum concentration of 0.1% by weight in homogenous materials for lead, hexavalent chromium, and mercury, and 0.01% for cadmium, or qualify for an exemption to these limits as defined in the Annexes of Directive 2000/53/EC (ELV). Regarding the REACH Regulation, the information TE provides on SVHC in articles for this part number is based on the latest European Chemicals Agency (ECHA) 'Guidance on requirements for substances in articles' posted at this URL: <https://echa.europa.eu/guidance-documents/guidance-on-reach>

## Compatible Parts

 <p>TE Part # CAT-T319-T273 TH/.025 CONNECTOR SYSTEM, RECPT AND TAB</p>	 <p>TE Part # 1717139-1 025/040 SEALED 132POS CAP ASSY</p>	 <p>TE Part # 1612776-1 REC CONTACT ASSY S RANGE CLEAN</p>	 <p>TE Part # 1612108-4 025/040 CAVITY PLUG</p>
--	--	---	--



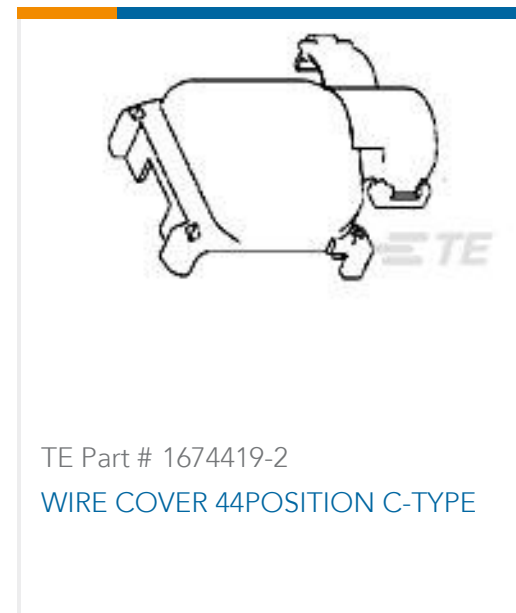
TE Part # 1746089-1  
025/040 44POS COVER V



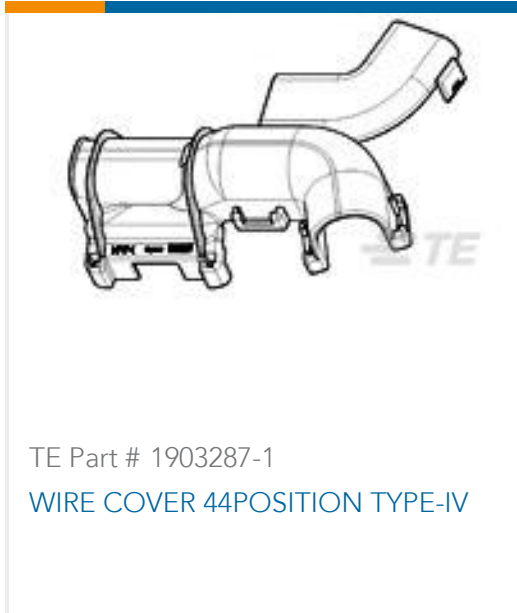
TE Part # 1827108-1  
025/040 44POS COVER A-TYPE



TE Part # 1827109-1  
025/040 44POS COVER B-TYPE



TE Part # 1674419-2  
WIRE COVER 44POSITION C-TYPE

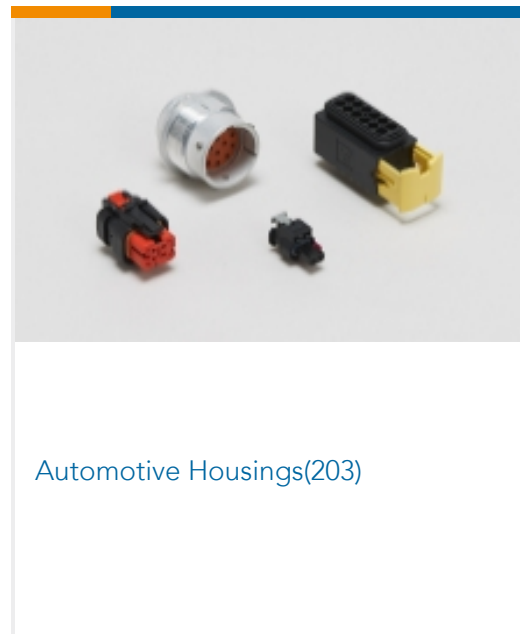


TE Part # 1903287-1  
WIRE COVER 44POSITION TYPE-IV

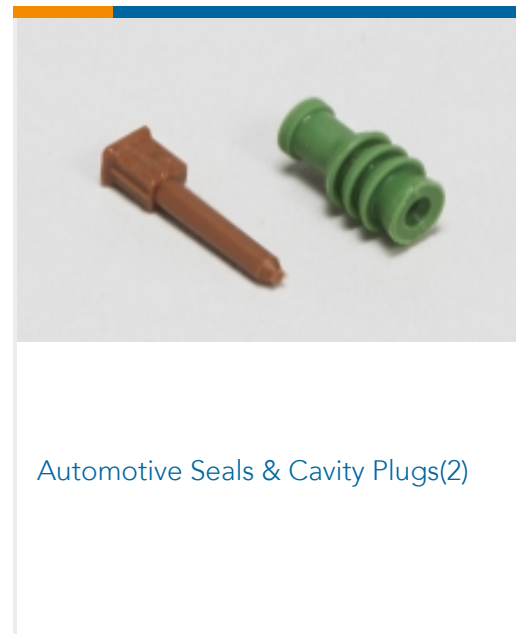
### Also in the Series | TH/.025 Connector System



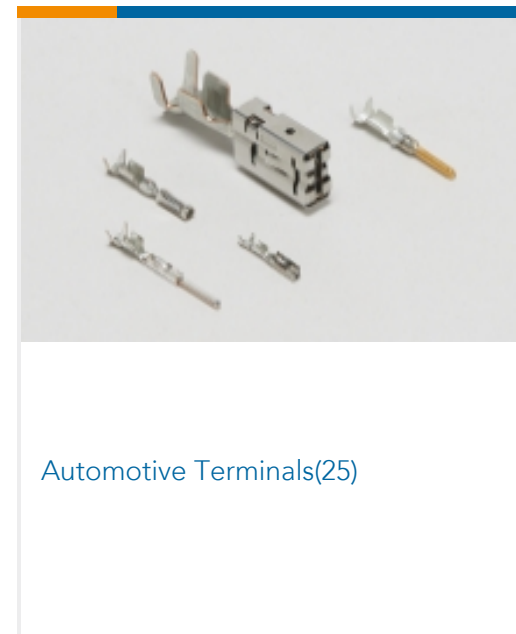
Automotive Connector Caps & Covers (6)



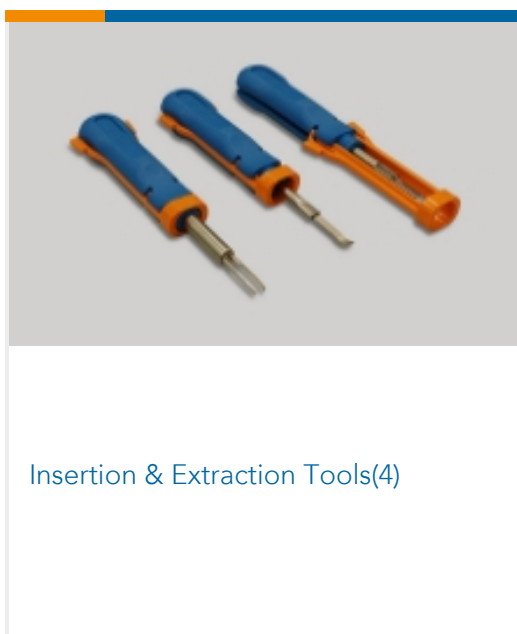
Automotive Housings(203)



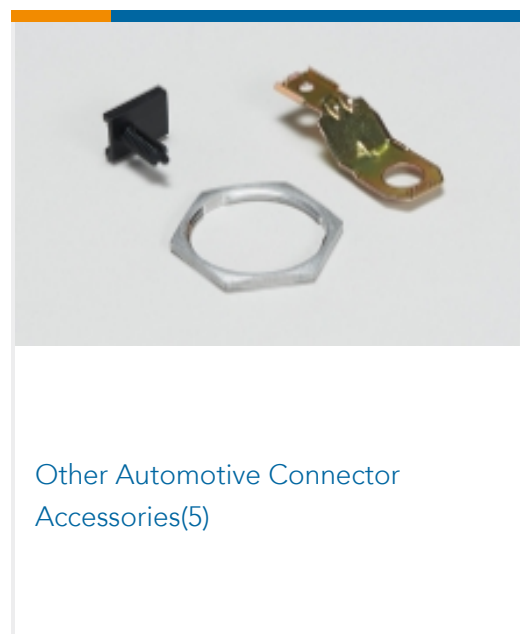
Automotive Seals & Cavity Plugs(2)



Automotive Terminals(25)



Insertion & Extraction Tools(4)



Other Automotive Connector Accessories(5)



PCB Headers & Receptacles(144)

### Customers Also Bought



TE Part #1717148-1  
TH/.025 CONNECTOR SYSTEM,  
RECEPT AND TAB



TE Part #2272168-1  
MCON WIRE DRESS, 2P PLUG,  
STRAIGHT



TE Part #776438-3  
AMPSEAL 16 HOUSINGS



TE Part #1718350-1  
MCON 1.2 CB TAB STC SN



## Documents

### Product Drawings

#### 025/040 SEALED 44POS PLUG ASSY

Japanese

### CAD Files

#### 3D PDF

3D

#### Customer View Model

[ENG\\_CVM\\_CVM\\_1717138-4\\_A.2d\\_dxf.zip](#)

English

#### Customer View Model

[ENG\\_CVM\\_CVM\\_1717138-4\\_A.3d\\_igs.zip](#)

English

#### Customer View Model

[ENG\\_CVM\\_CVM\\_1717138-4\\_A.3d\\_stp.zip](#)

English

By downloading the CAD file I accept and agree to the [Terms and Conditions](#) of use.

### Datasheets & Catalog Pages

#### TH/.025 Connector Series

English

### Product Specifications

#### Crimping CLEAN BODY 025/040 Receptacle Contact

English

#### Application Specification

English

### Product Environmental Compliance

#### Product Compliance

English

#### Product Compliance

English

### Instruction Sheets

#### Instruction Sheet (non U.S.)



Japanese