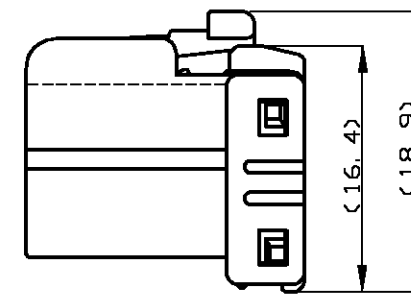
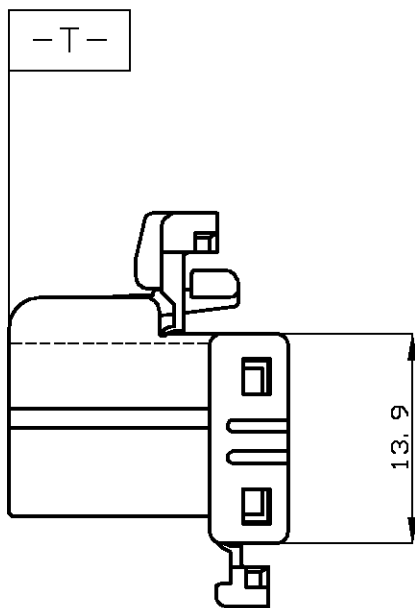
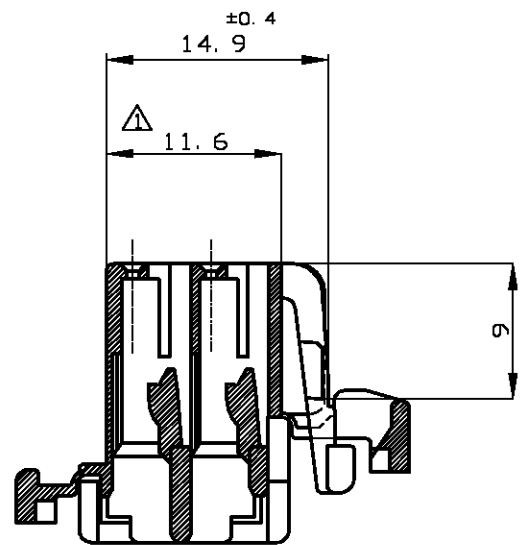
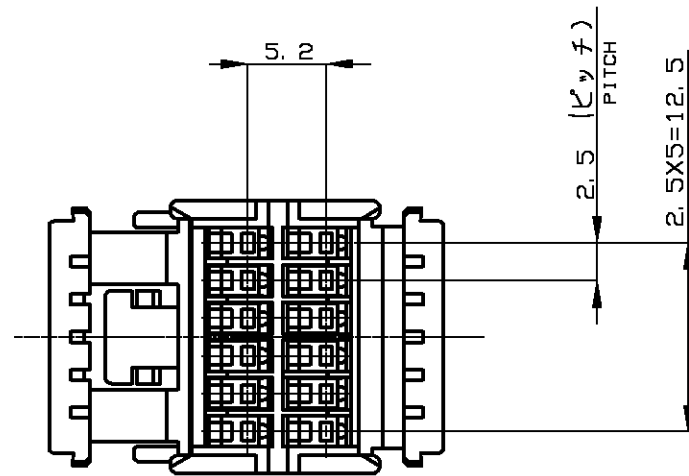
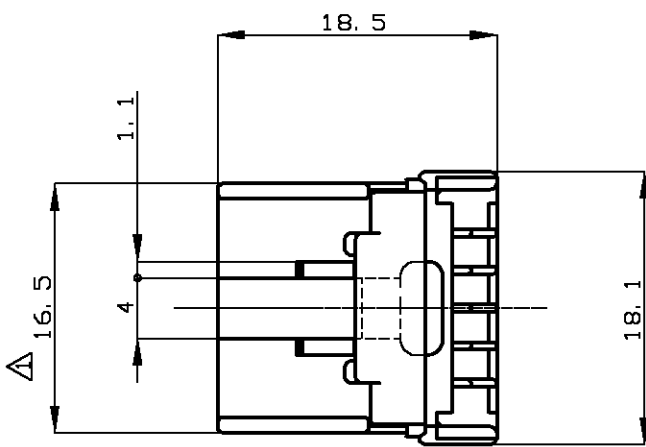
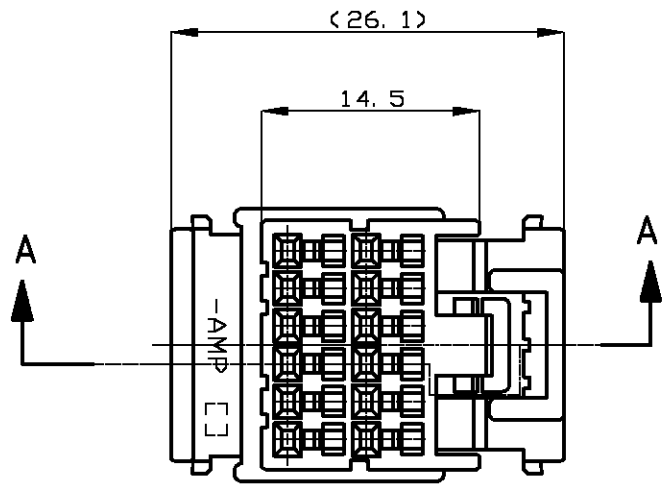


THIS DRAWING IS UNPUBLISHED. RELEASED FOR PUBLICATION
 © COPYRIGHT BY TYCO ELECTRONICS CORPORATION. ALL RIGHTS RESERVED.

LOC	DIST	REVISIONS					
		P	LTR	DESCRIPTION	DATE	DWN	APVD
J	-	C1		REVISED	03AUG06	MS	KB



二重ロック時
DOUBLE LOCKED

青 (BLUE)	174045-5
緑 (GREEN)	174045-4
黒 (BLACK)	174045-2
色 (COLOR)	製品型番 (PART NO.)

△ TO BE MEASURED WITHIN 2mm FROM [-T-]

△ [-T-] 面より 2mmの範囲で測定

TOLERANCE UNLESS OTHERWISE SPECIFIED: 一般公差

0 < x ≤ 10	: ±0.2
10 < x ≤ 30	: ±0.25
30 < x ≤ 100	: ±0.3
ANGLE ; 角度	: ±3°

THIS DRAWING IS A CONTROLLED DOCUMENT.		DWN M.SUGAWARA	03AUG06		Tyco Electronics AMP K.K. Kawasaki, Japan	
DIMENSIONS: 単位: 耗 mm		CHK K.BETSUI	03AUG06		NAME 名称 12POSITION PLUG HOUSING 040SERIES MULTI-LOCK CONNECTOR	
TOLERANCES UNLESS OTHERWISE SPECIFIED: 一般公差		APVD K.BETSUI	03AUG06	PRODUCT SPEC 製品規格 108-5352,5244		
MATERIAL 材料 PBT		FINISH 仕上 -		APPLICATION SPEC 取付適用規格 -	WEIGHT -	RESTRICTED TO -
CUSTOMER DRAWING				SIZE A3	CAGE CODE 00779	DRAWING NO 174045
				SCALE 尺度 2:1	SHEET 1 OF 1	REV C1