

171354-1 ✓ ACTIVE



AMP

TE Internal #: 171354-1

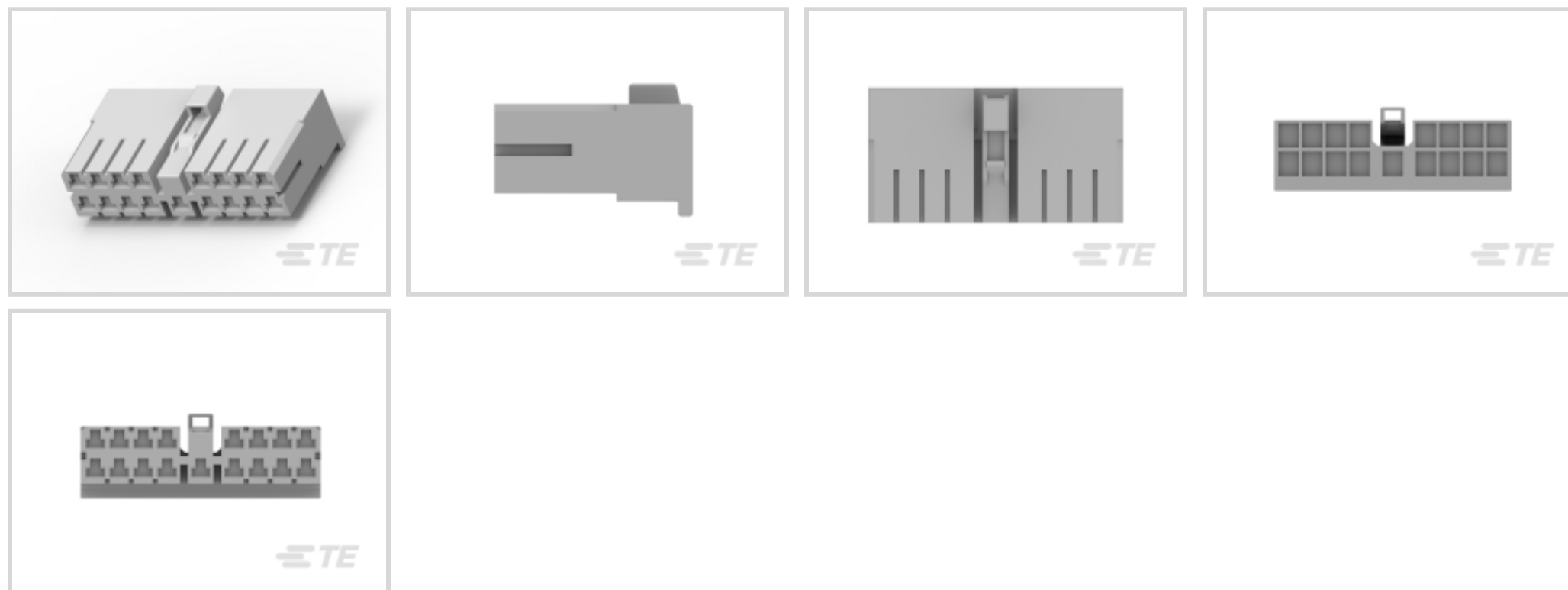
Housing for Female Terminals, Wire-to-Wire / Wire-to-Device /

Wire-to-Board, 17 Position, .197 in / .276 in [7 mm / 5 mm]

Centerline, Natural, Signal

[View on TE.com >](#)

Connectors > Automotive Connectors > Connector Housings



Connector & Housing Type: **Housing for Female Terminals**

Mating Tab Width: **3 mm [ .118 in ]**

Connector System: **Wire-to-Board, Wire-to-Device, Wire-to-Wire**

Number of Positions: **17**

Centerline (Pitch): **5 mm, 7 mm [ .197 in, .276 in ]**

## Features

### Product Type Features

Connector & Housing Shape	Rectangular
Connector & Housing Type	Housing for Female Terminals
Connector System	Wire-to-Board, Wire-to-Device, Wire-to-Wire
Sealable	No
Hybrid Connector	No
Primary Locking Feature	On the Terminal

### Configuration Features

Number of Positions	17
Number of Rows	2

### Electrical Characteristics

Operating Voltage	12 VDC
Nominal Voltage Architecture	12 V

### Body Features



Cable Exit Angle	180°
Body Material	PA
Primary Product Color	Natural

#### Contact Features

Contact Size	3mm
Contact Type	Receptacle
Mating Tab Width	3 mm [.118 in]

#### Mechanical Attachment

Mounting Feature	Without
Terminal Position Assurance	No
Strain Relief	Without
Mating Alignment Type	Polarized
Mating Alignment	With
Connector Mounting Type	Cable Mount (Free-Hanging)

#### Housing Features

Centerline (Pitch)	5 mm, 7 mm [.197 in] [.276 in]
--------------------	--------------------------------

#### Dimensions

Product Width	50.1 mm [1.972 in]
Product Length	26.5 mm [1.043 in]
Product Height	18.8 mm [.74 in]
Row-to-Row Spacing	4 mm [.157 in]

#### Usage Conditions

Operating Temperature (Max)	70 °C, 75 °C, 80 °C, 85 °C, 90 °C, 100 °C, 105 °C [158 °F] [167 °F] [176 °F] [185 °F] [194 °F] [212 °F] [221 °F]
Operating Temperature Range	-30 – 105 °C [-22 – 221 °F]

#### Operation/Application

Circuit Application	Signal
---------------------	--------

#### Industry Standards

UL Flammability Rating	UL 94V-2
------------------------	----------

#### Other

Serviceable	Yes
-------------	-----



Connector Position Assurance Capable

No

### Product Compliance

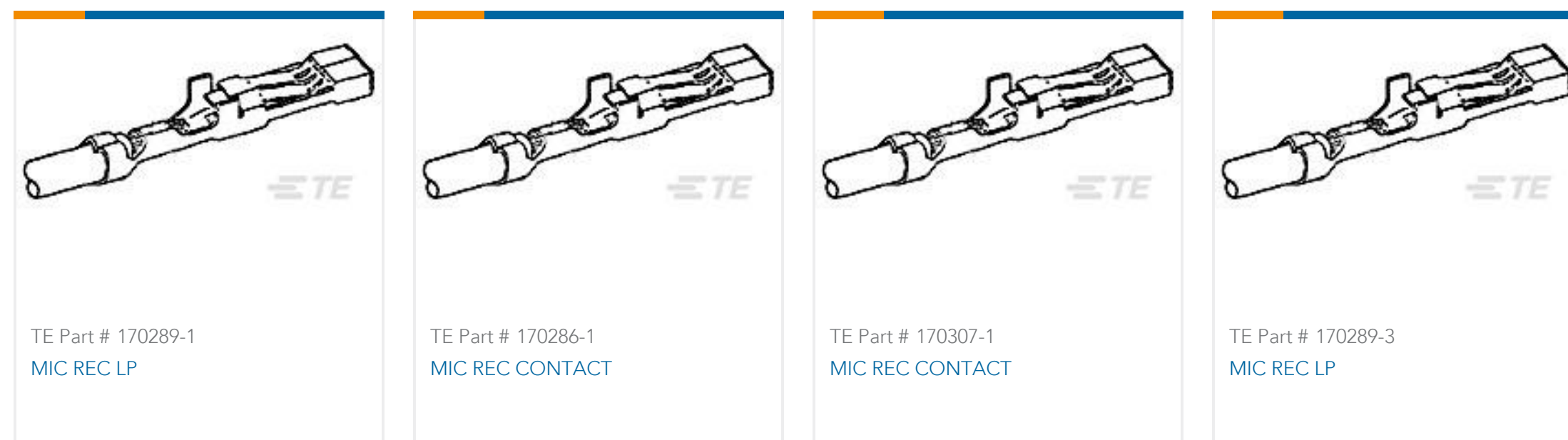
[For compliance documentation, visit the product page on TE.com>](#)

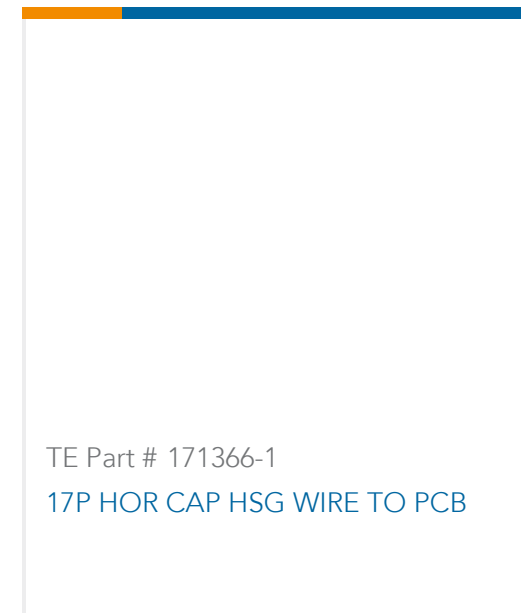
EU RoHS Directive 2011/65/EU	Compliant
EU ELV Directive 2000/53/EC	Compliant
China RoHS 2 Directive MIIT Order No 32, 2016	No Restricted Materials Above Threshold
EU REACH Regulation (EC) No. 1907/2006	Current ECHA Candidate List: JUNE 2022 (224) Candidate List Declared Against: JAN 2022 (223) SVHC > Threshold: Not Yet Reviewed
Halogen Content	Low Halogen - Br, Cl, F, I < 900 ppm per homogenous material. Also BFR/CFR/PVC Free
Solder Process Capability	Not applicable for solder process capability

#### Product Compliance Disclaimer

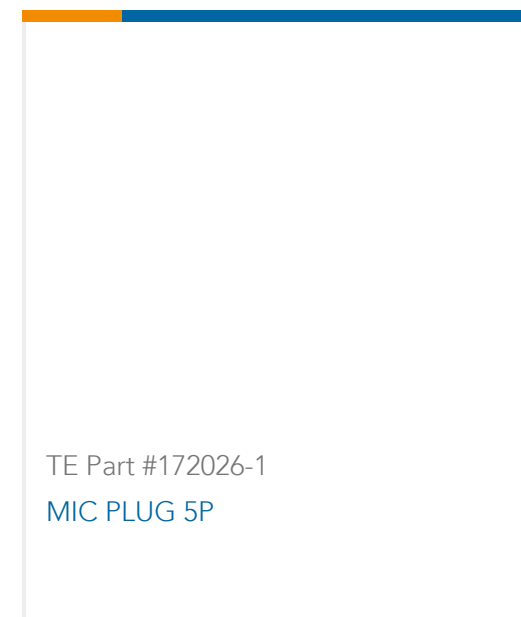
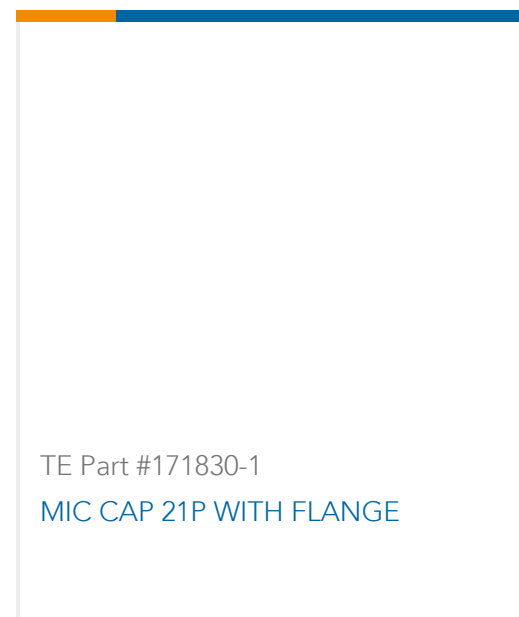
This information is provided based on reasonable inquiry of our suppliers and represents our current actual knowledge based on the information they provided. This information is subject to change. The part numbers that TE has identified as EU RoHS compliant have a maximum concentration of 0.1% by weight in homogenous materials for lead, hexavalent chromium, mercury, PBB, PBDE, DBP, BBP, DEHP, DIBP, and 0.01% for cadmium, or qualify for an exemption to these limits as defined in the Annexes of Directive 2011/65/EU (RoHS2). Finished electrical and electronic equipment products will be CE marked as required by Directive 2011/65/EU. Components may not be CE marked. Additionally, the part numbers that TE has identified as EU ELV compliant have a maximum concentration of 0.1% by weight in homogenous materials for lead, hexavalent chromium, and mercury, and 0.01% for cadmium, or qualify for an exemption to these limits as defined in the Annexes of Directive 2000/53/EC (ELV). Regarding the REACH Regulation, the information TE provides on SVHC in articles for this part number is based on the latest European Chemicals Agency (ECHA) 'Guidance on requirements for substances in articles' posted at this URL: <https://echa.europa.eu/guidance-documents/guidance-on-reach>

### Compatible Parts





### Customers Also Bought



### Documents



## Product Drawings

### 17 CIR MIC PLUG HSG

Japanese

---

## CAD Files

### Customer View Model

[ENG\\_CVM\\_CVM\\_171354-1\\_M.2d\\_dxf.zip](#)

English

### 3D PDF

3D

### Customer View Model

[ENG\\_CVM\\_CVM\\_171354-1\\_M.3d\\_igs.zip](#)

English

### Customer View Model

[ENG\\_CVM\\_CVM\\_171354-1\\_M.3d\\_stp.zip](#)

English

By downloading the CAD file I accept and agree to the [Terms and Conditions](#) of use.

---

## Product Specifications

### Multi-Interlock Mark II Connector for Printed Circuit Board

Japanese

### Product Specification

Japanese

### Product Specification

English

### Multi-Interlock Mark II Connector

English

---

## Instruction Sheets

### Customer Manual (non U.S.)

Japanese

### Multi Interlock Connector Wire to PCB Type

Japanese

---

## Agency Approvals

### Agency Approval Document

English