

1746909-1 ✓ ACTIVE



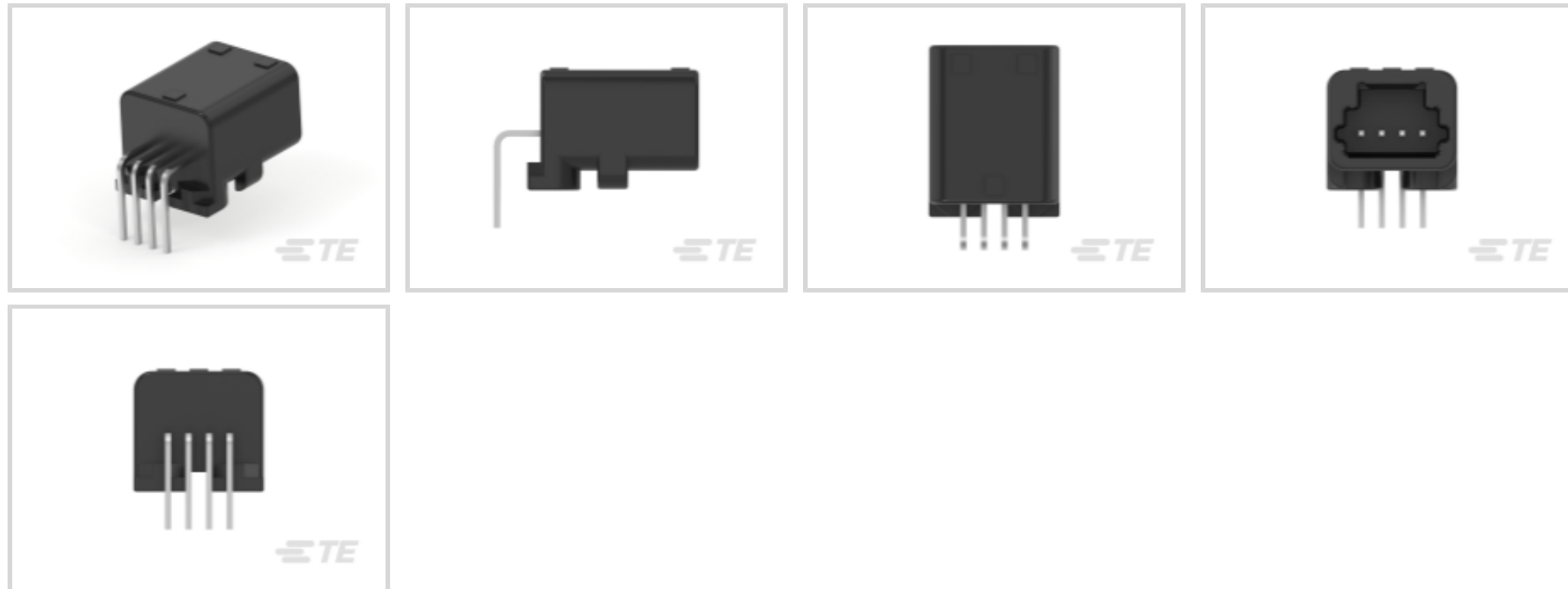
TH/.025 Connector System

TE Internal #: 1746909-1

PCB Mount Header, Vertical, Wire-to-Board, 4 Position, .087 in [2.2 mm] Centerline, Fully Shrouded, Tin (Sn), TH/.025 Connector System

[View on TE.com >](#)

Connectors > PCB Connectors > PCB Headers & Receptacles > SIGNAL HEADER



Connector System: **Wire-to-Board**

Number of Positions: **4**

Centerline (Pitch): **2.2 mm [.087 in]**

Sealable: **No**

PCB Mount Orientation: **Vertical**

[All SIGNAL HEADER \(414\)](#)

Features

Product Type Features

| | |
|-----------------------------------|-----------------------|
| Hybrid Header | No |
| Connector & Housing Shape | Rectangular |
| PCB Connector Assembly Type | PCB Mount Header |
| Header Type | Fully Shrouded |
| Connector System | Wire-to-Board |
| Sealable | No |
| Connector & Contact Terminates To | Printed Circuit Board |

Configuration Features

| | |
|----------------------------|----------|
| Number of Sections | 1 |
| Number of Signal Positions | 4 |
| Number of Positions | 4 |
| PCB Mount Orientation | Vertical |
| Number of Rows | 1 |



Electrical Characteristics

| | |
|------------------------------|--------|
| Voltage Rating (Max) | 12 VDC |
| Nominal Voltage Architecture | 12 V |
| Operating Voltage | 12 VDC |

Body Features

| | |
|-----------------------|-------|
| Primary Product Color | Black |
|-----------------------|-------|

Contact Features

| | |
|--------------------------------------|-----------------|
| Contact Size | .63mm |
| Contact Type | Tab |
| Mating Tab Width | .64 mm[.025 in] |
| Mating Tab Thickness | .64 mm[.025 in] |
| Contact Mating Area Plating Material | Tin (Sn) |

Termination Features

| | |
|---|-----------------------|
| Termination Method to Printed Circuit Board | Through Hole - Solder |
|---|-----------------------|

Mechanical Attachment

| | |
|-----------------------|-------------------|
| Mounting Holes | With |
| Mating Retention | With |
| Mating Alignment | With |
| PCB Mount Alignment | Without |
| Panel Mount Feature | Without |
| PCB Mount Retention | Without |
| Mating Retention Type | Locking Interface |

Housing Features

| | |
|--------------------|-----------------|
| Centerline (Pitch) | 2.2 mm[.087 in] |
|--------------------|-----------------|

Dimensions

| | |
|-----------------------------|------------------|
| Connector Length | 22 mm[.866 in] |
| Connector Width | 14 mm[.551 in] |
| PCB Thickness (Recommended) | 1.6 mm[.063 in] |
| Profile Height from PCB | 13.1 mm[.516 in] |

Usage Conditions

| | |
|-----------------------------|--|
| Operating Temperature (Max) | 65 °C, 70 °C, 75 °C, 80 °C, 85 °C, 90 °C, 100 °C[149 °F][158 °F][167 °F][176 °F][185 °F] |
|-----------------------------|--|



| | |
|-----------------------------|----------------------------|
| | [194 °F][212 °F] |
| Operating Temperature Range | -30 – 100 °C[-22 – 212 °F] |

Operation/Application

| | |
|---------------------|--------|
| Shielded | No |
| Circuit Application | Signal |

Industry Standards

| | |
|------------------------|---------|
| UL Flammability Rating | UL 94HB |
|------------------------|---------|

Packaging Features

| | |
|----------------|------|
| Packaging Type | Tube |
|----------------|------|

Product Compliance

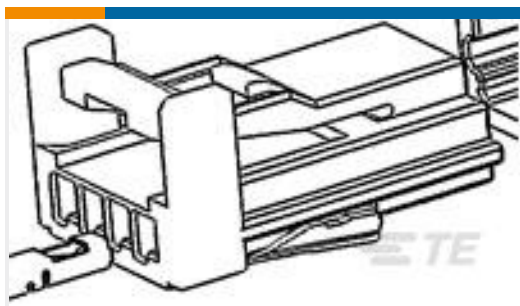
[For compliance documentation, visit the product page on TE.com>](#)

| | |
|---|--|
| EU RoHS Directive 2011/65/EU | Compliant |
| EU ELV Directive 2000/53/EC | Compliant |
| China RoHS 2 Directive MIIT Order No 32, 2016 | No Restricted Materials Above Threshold |
| EU REACH Regulation (EC) No. 1907/2006 | Current ECHA Candidate List: JUNE 2022 (224) Candidate List Declared Against: JAN 2022 (223) SVHC > Threshold: Not Yet Reviewed |
| Halogen Content | Low Halogen - Br, Cl, F, I < 900 ppm per homogenous material. Also BFR/CFR/PVC Free |
| Solder Process Capability | Wave solder capable to 240°C |

Product Compliance Disclaimer

This information is provided based on reasonable inquiry of our suppliers and represents our current actual knowledge based on the information they provided. This information is subject to change. The part numbers that TE has identified as EU RoHS compliant have a maximum concentration of 0.1% by weight in homogenous materials for lead, hexavalent chromium, mercury, PBB, PBDE, DBP, BBP, DEHP, DIBP, and 0.01% for cadmium, or qualify for an exemption to these limits as defined in the Annexes of Directive 2011/65/EU (RoHS2). Finished electrical and electronic equipment products will be CE marked as required by Directive 2011/65/EU. Components may not be CE marked. Additionally, the part numbers that TE has identified as EU ELV compliant have a maximum concentration of 0.1% by weight in homogenous materials for lead, hexavalent chromium, and mercury, and 0.01% for cadmium, or qualify for an exemption to these limits as defined in the Annexes of Directive 2000/53/EC (ELV). Regarding the REACH Regulation, the information TE provides on SVHC in articles for this part number is based on the latest European Chemicals Agency (ECHA) 'Guidance on requirements for substances in articles' posted at this URL: <https://echa.europa.eu/guidance-documents/guidance-on-reach>

Compatible Parts



TE Part # 1746911-1
0.64mm I/O 4P CONNECTOR PLUG HOUSING B



TE Part # 1674311-1
0.64mm RCPT NON SEALED (TYPE1) HOUSING B

Also in the Series | TH/.025 Connector System



Automotive Connector Caps & Covers (6)



Automotive Housings(203)



Automotive Seals & Cavity Plugs(2)



Automotive Terminals(25)



Insertion & Extraction Tools(4)



Other Automotive Connector Accessories(5)



PCB Headers & Receptacles(144)

Customers Also Bought



TE Part #2-1318772-2
SIGNAL HEADER



TE Part #2291174-1
025 SMD 16P CAP ASSEMBLY H-TYPE



TE Part #2306719-3
40POS,TAB0.64X0.64,HDR ASSY, 90DEG,SLDR



TE Part #3-1318853-3
025 24POS CAP ASSY H SELECTIVE-TIN

Documents

Product Drawings

0.64mm I/O 4P CONNECTOR CAP ASSY B TO W

Japanese

CAD Files

3D PDF

3D



Customer View Model

[ENG_CVM_CVM_1746909-1_A.2d_dxf.zip](#)

English

Customer View Model

[ENG_CVM_CVM_1746909-1_A.3d_igs.zip](#)

English

Customer View Model

[ENG_CVM_CVM_1746909-1_A.3d_stp.zip](#)

English

By downloading the CAD file I accept and agree to the [Terms and Conditions](#) of use.

Product Specifications

[CRIMPING OF 0.64III RECEPTACLE CONTACT](#)

Japanese

Application Specification

Japanese

Instruction Sheets

[0.64 Series Connector 4position](#)

Japanese

Instruction Sheet (non U.S.)

Japanese